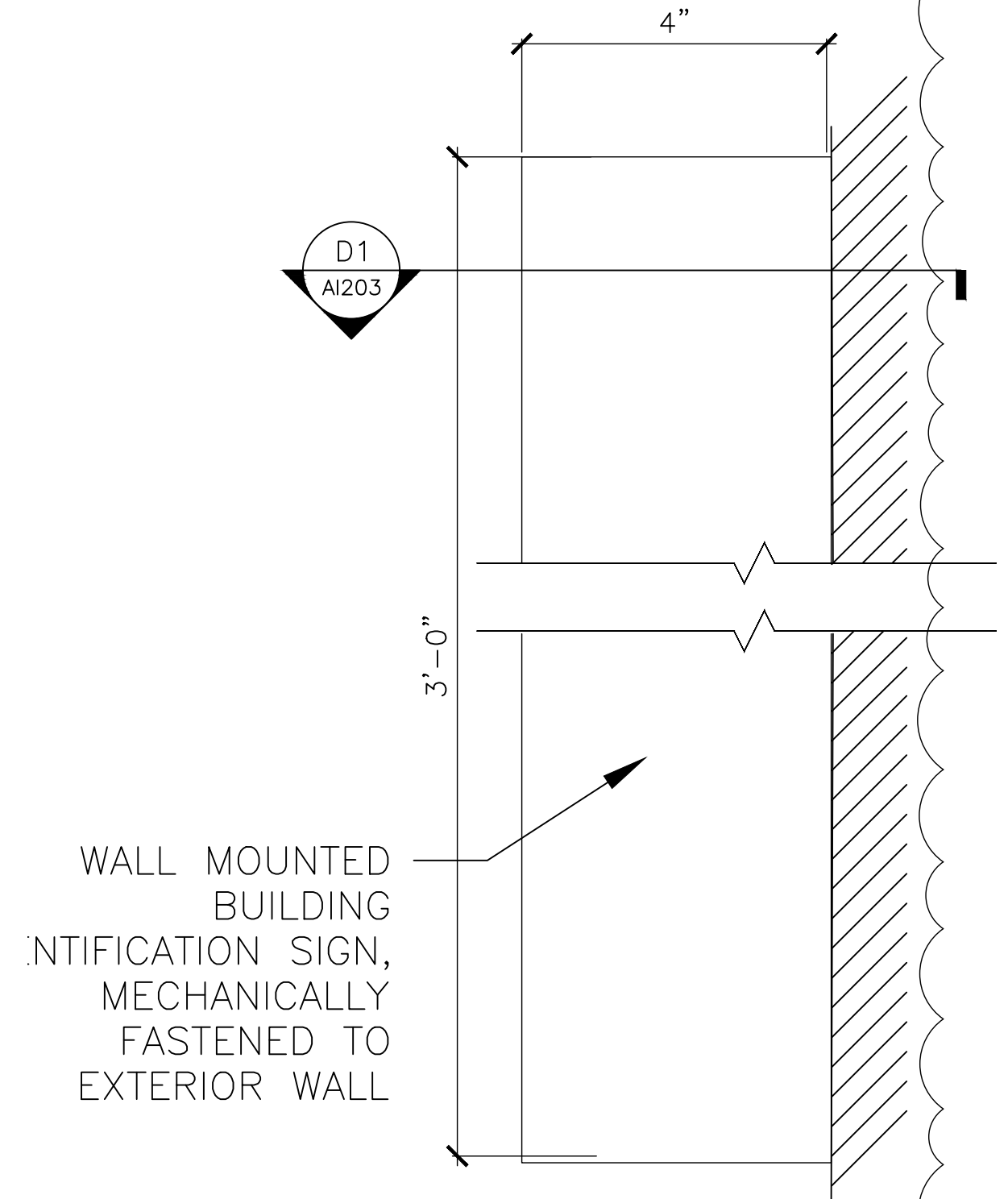
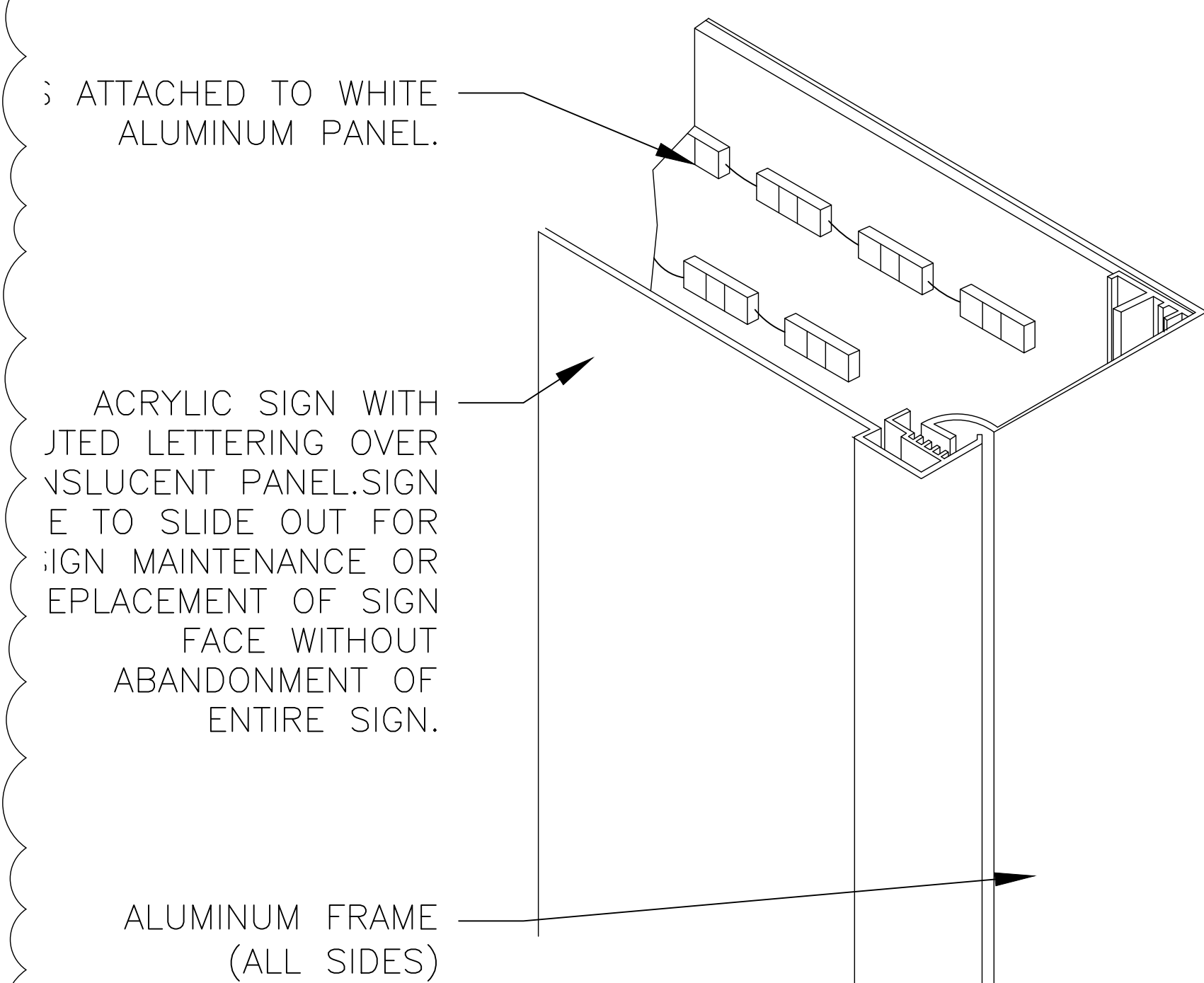


(S5) WAYFINDING SIGNAGE COLOR SCHEDULE		
VA LOGO COLOR (1)		
COLOR REF#	COLOR DESCRIPTION	CMYK
B20	SHEEP'S WOOL	C1 M0 Y2 K0
ACCENT COLOR (1)		
COLOR REF#	COLOR DESCRIPTION	CMYK
B20	SHEEP'S WOOL	C1 M0 Y2 K0
VA SIGN TEXT COLOR (1)		
COLOR REF#	COLOR DESCRIPTION	CMYK
B20	SHEEP'S WOOL	C1 M0 Y2 K0
TEXT COLOR (1)		
COLOR REF#	COLOR DESCRIPTION	CMYK
B18	VA BLUE	C100 M0 Y60 K40



D1 SIGN (S5) SECTION



E1 SIGN (S5) SECTION

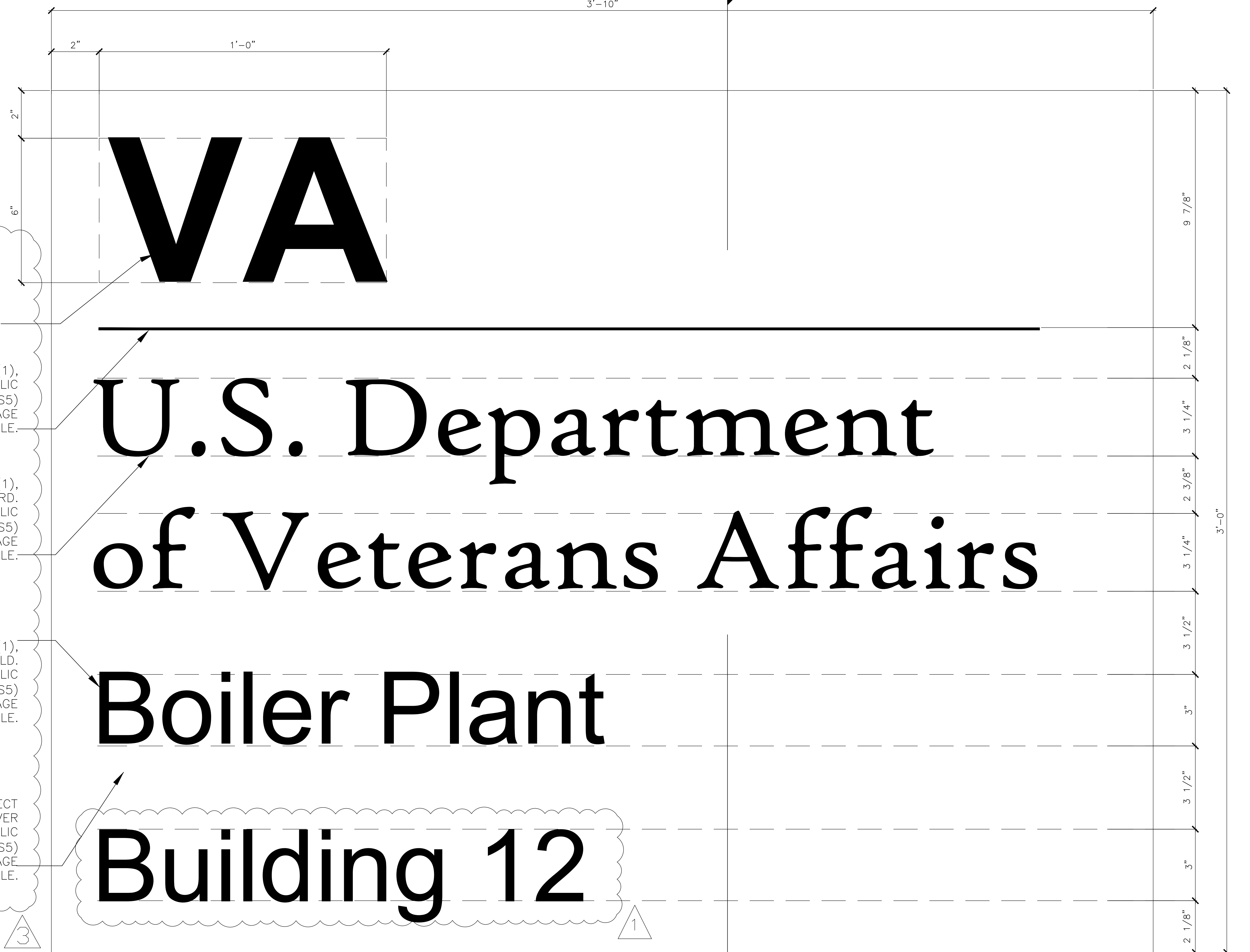
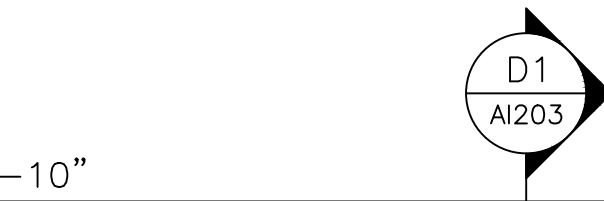
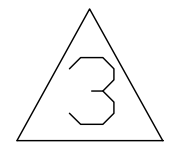
VA LOGO COLOR (1), TEXT HELVETICA BOLD. TRANSLUCENT ACRYLIC PANEL. SEE (S5) WAYFINDING SIGNAGE COLOR SCHEDULE.

ACCENT COLOR (1), TRANSLUCENT ACRYLIC PANEL. SEE (S5) WAYFINDING SIGNAGE COLOR SCHEDULE.

VA SIGN TEXT COLOR (1), TEXT HELVETICA STANDARD. TRANSLUCENT ACRYLIC PANEL. SEE (S5) WAYFINDING SIGNAGE COLOR SCHEDULE.

VA SIGN TEXT COLOR (1), TEXT HELVETICA BOLD. TRANSLUCENT ACRYLIC PANEL. SEE (S5) WAYFINDING SIGNAGE COLOR SCHEDULE.

FIELD COLOR (1), DIRECT ACRYLIC PANEL OVER TRANSLUCENT ACRYLIC PANEL. SEE (S5) WAYFINDING SIGNAGE COLOR SCHEDULE.



F9 SIGN (S5) ELEVATION & DETAILS

SCALE: 6"-1'-0"

ADDENDUM 1	08-09-2024
ADDENDUM 3	01-24-2024

CONSULTANT

ARCHITECT/ENGINEER OF RECORD

paradigm

Architecture | Engineering | Design-Build

9000 Wesssex Place, Louisville, KY 40222
www.paradigmusa.com

STAMP

Office of Construction and Facilities Management

VA U.S. Department of Veterans Affairs

Drawing Title

WAYFINDING SIGNAGE ELEVATIONS & DETAILS

Approved: Project Director

Phase

100% CONSTRUCTION DOCUMENTS

FULLY SPRINKLERED

Project Title

SIoux FALLS BOILER PLANT

Location

VAMC-Sioux Falls: 2501 W 22nd St, Sioux Falls, SD 57105

Issue Date

01-24-2025

Checked

TL

Drawn

EB

Project Number

438-22-900

Building Number

12

Drawing Number

A1203