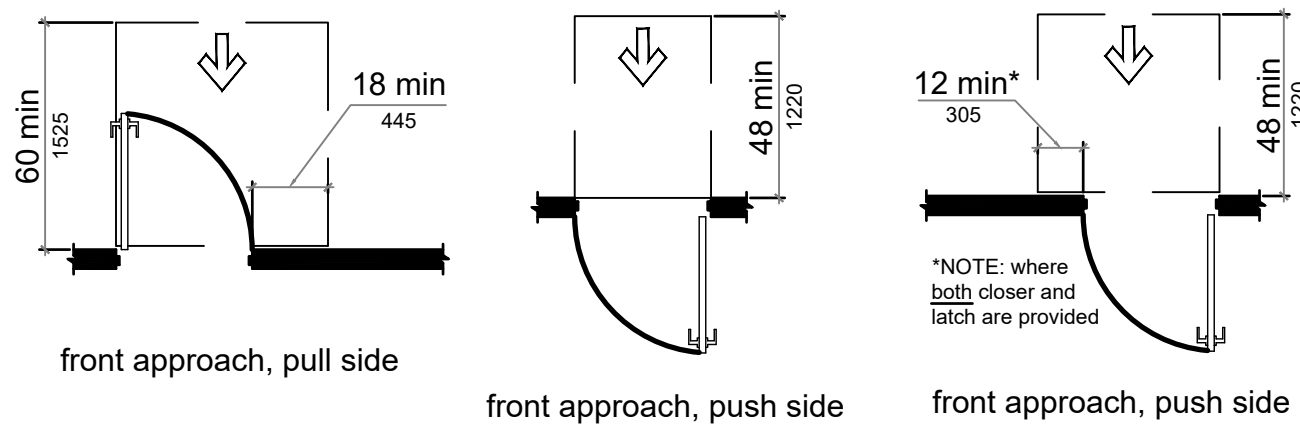


ACCESSIBLE MANUEVERING CLEARANCES



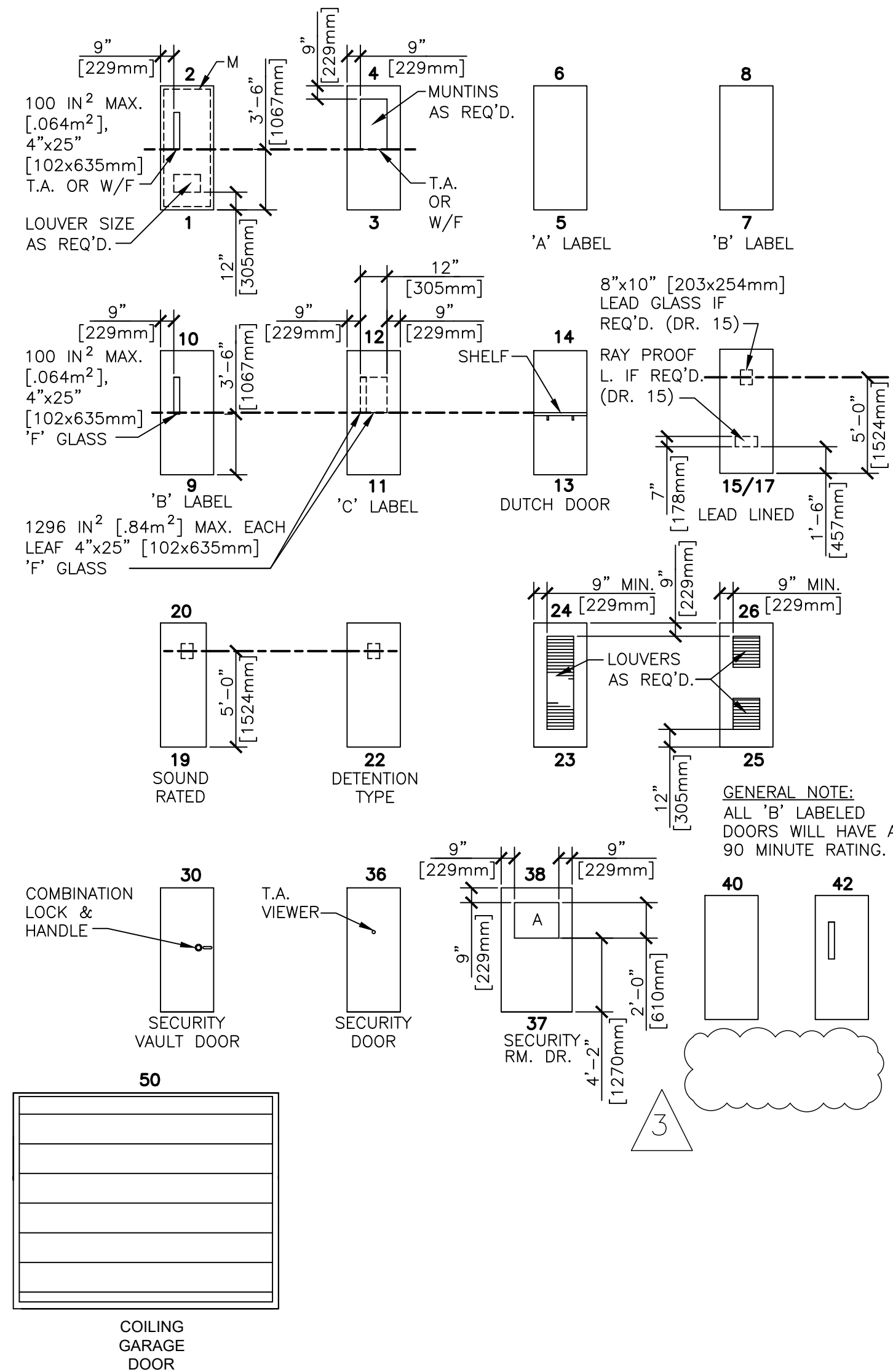
DIAGRAMS INDICATE MINIMUM CLEARANCES TO MEET ACCESSIBILITY REGULATIONS. GENERAL CONTRACTOR TO VERIFY THAT FRAMED OPENINGS AND FIELD CONDITIONS PERMIT CLEARANCES. THESE DRAWINGS HAVE BEEN PRODUCED WITH THE REFERENCED DIAGRAMS. IF FIELD CONDITIONS VARY NOTIFY THE ARCHITECT.

DOOR SCHEDULE

DOOR #	ROOM NAME	DOOR		FRAME		HW SET		
		WIDTH	HEIGHT	MATERIAL	FINISH			
101	BREAK ROOM	3'-0"	7'-0"	HM	PT	HM	PT	1
103.1	CONTROL	3'-0"	7'-0"	HM	PT	HM	PT	5
103.2	CONTROL	3'-0"	7'-0"	HM	PT	HM	PT	7
104	SUPERVISOR	3'-0"	7'-0"	HM	PT	HM	PT	5
105	MEN'S LOCKER ROOM	3'-0"	7'-0"	HM	PT	HM	PT	8
106	WOMEN'S LOCKER RM	3'-0"	7'-0"	HM	PT	HM	PT	9
107	UNISEX TOILET	3'-0"	7'-0"	HM	PT	HM	PT	9
108	PROPANE STORAGE	3'-0"	7'-0"	HM	PT	HM	PT	1
109.1	BOILER ROOM	3'-0"	7'-0"	HM	PT	HM	PT	9
109.2	BOILER ROOM	3'-0"	7'-0"	HM	PT	HM	PT	1
109.3	BOILER ROOM	3'-0"	7'-0"	HM	PT	HM	PT	1
109.4	BOILER ROOM	3'-0"	7'-0"	HM	PT	HM	PT	1
109.5	BOILER ROOM	12'-0"	10'-0"	HM	PT	HM	PT	1
109.6	BOILER ROOM	3'-0"	7'-0"	HM	PT	HM	PT	1
110	GENERATOR	3'-0"	7'-0"	HM	PT	HM	PT	3
111.1	ELECTRICAL	3'-0"	7'-0"	HM	PT	HM	PT	3
111.2	ELECTRICAL	(2) 3'-0"	7'-0"	HM	PT	HM	PT	2
114	TELECOM	3'-0"	7'-0"	HM	PT	HM	PT	4
118.2	GENERATOR	(2) 3'-0"	7'-0"	HM	PT	HM	PT	2

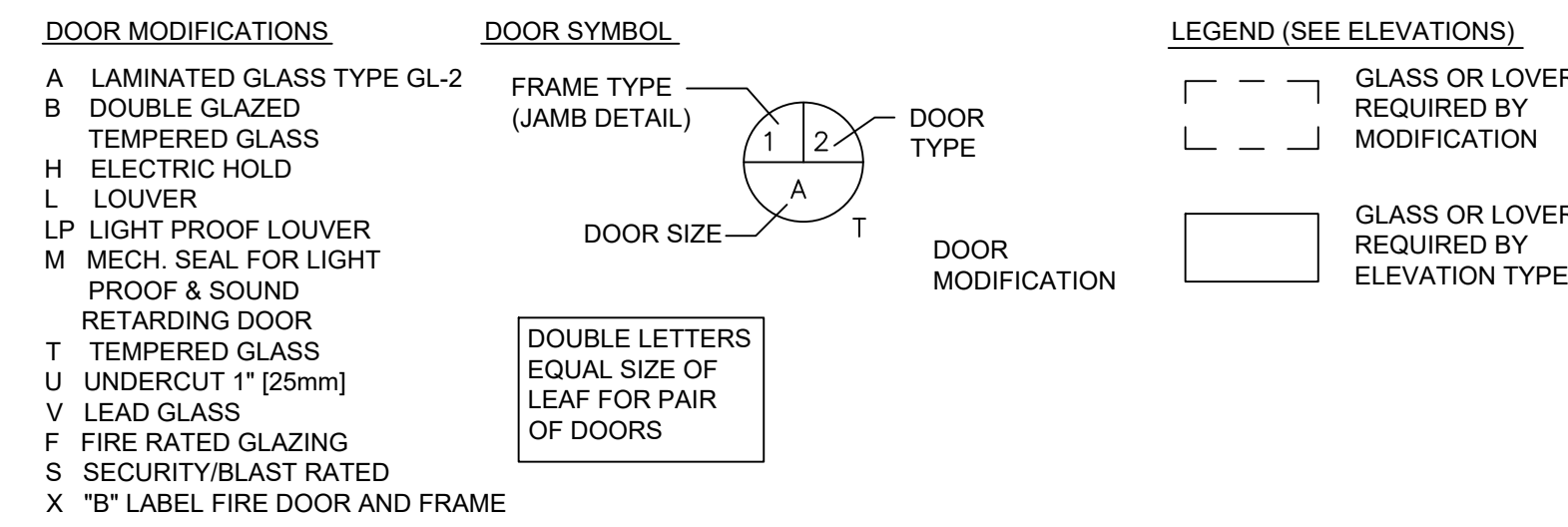
NOTES:
1. REFER TO DOOR TYPES FOR DOOR ELEVATION AND FIRE RATING.
2. REFER TO SPECIFICATION FOR HARDWARE SET.
3. COILING DOOR HARDWARE SET PER MANUFACTURER.

DOOR TYPES



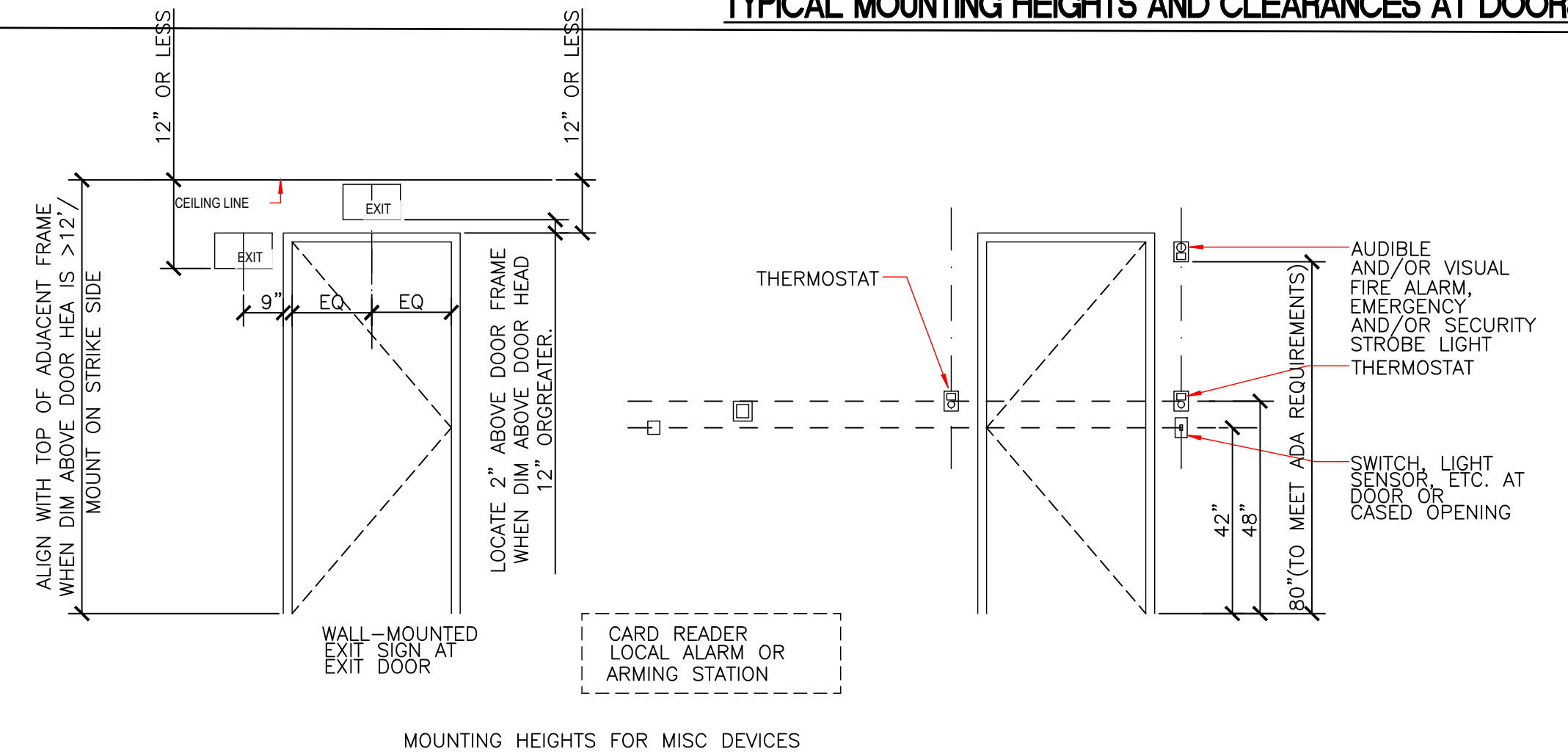
DOOR SIZES

MK	WIDTH		HEIGHT		MK	WIDTH		HEIGHT	
	IN	MM	IN	MM		IN	MM	IN	MM
A	1'-6"	[406mm]	6'-8"	[2032mm]	N	2'-0"	[610mm]	7'-0"	[2134mm]
B	2'-0"	[610mm]	6'-8"	[2032mm]	D	2'-2"	[610mm]	7'-0"	[2134mm]
C	2'-2"	[660mm]	6'-8"	[2032mm]	P	2'-4"	[711mm]	7'-0"	[2134mm]
D	2'-4"	[711mm]	6'-8"	[2032mm]	Q	2'-6"	[711mm]	7'-0"	[2134mm]
E	2'-6"	[762mm]	6'-8"	[2032mm]	R	2'-8"	[813mm]	7'-0"	[2134mm]
F	2'-8"	[813mm]	6'-8"	[2032mm]	S	3'-0"	[914mm]	7'-0"	[2134mm]
G	2'-10"	[864mm]	6'-8"	[2032mm]	T	3'-4"	[1016mm]	7'-0"	[2134mm]
H	3'-0"	[914mm]	6'-8"	[2032mm]	U	3'-6"	[1067mm]	7'-0"	[2134mm]
I	3'-6"	[965mm]	6'-8"	[2032mm]	V	3'-8"	[1118mm]	7'-0"	[2134mm]
J	3'-4"	[1016mm]	6'-8"	[2032mm]	W	3'-10"	[1168mm]	7'-0"	[2134mm]
K	3'-8"	[1118mm]	6'-8"	[2032mm]	X	4'-0"	[1219mm]	7'-0"	[2134mm]
L	3'-10"	[1168mm]	6'-8"	[2032mm]	Z	4'-2"	[1270mm]	7'-0"	[2134mm]
M	1'-6"	[406mm]	7'-8"	[2352mm]		12'-0"	[3658mm]		



NOTES:
1. ALL DOORS SHALL BE FLUSH - 1/32" [4mm] THICK UNLESS NOTED OTHERWISE.
2. TOP & SIDE RAILS SHALL BE 9" [229mm] MIN. BOTTOM RAILS SHALL BE 12" MIN. [305mm]
3. DOOR TYPES 7, 8, & 9 SHALL NOT BE USED FOR OPPOSING DOORS.
4. FOR SCHEDULING DOOR TYPES, SEE PG-18-14.
5. EVEN NUMBERS ARE METAL, ODD NUMBERS ARE WOOD.
6. ALL EXTERIOR DOORS TO INSULATE.
7. COILING OVERHEAD DOOR INSULATED.
8. ALL HOLLOW METAL FRAMES TO WELDED FRAMES.

TYPICAL MOUNTING HEIGHTS AND CLEARANCES AT DOORS



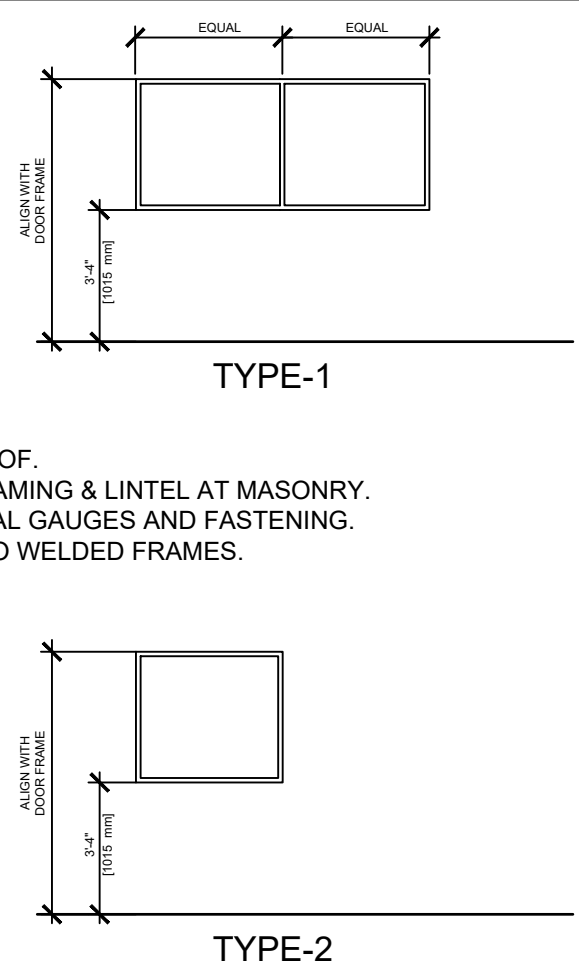
IN GENERAL, ALL DEVICES SHALL BE ALIGNED VERTICALLY, AS SHOWN ABOVE. THE PREFERRED THERMOSTAT LOCATION IS THE HINGE SIDE OF THE DOOR, WHERE THE HINGE SIDE OF THE DOOR. DOOR IS LOCATED IN A CORNER, THE THERMOSTAT SHALL BE LOCATED ON THE LATCH SIDE.

OBSERVATION WINDOW SCHEDULE

VIEW / PASS WINDOW	VIEW / PASS WINDOWS SIZE	DETAILS	FIRE RATG	CURTAIN TRACK	REMARKS					
SPACE MARK	WIDTH	HEIGHT	MA	TYPE	GLASS	HEAD	JAMB	SILL	LABEL	SPACE NO.
117	V1	4'-0"	2'-10"	HM	2	GL-2				1, 2
113	V2	9'-0"	2'-10"	HM	1	GL-2				1, 2
113	V3	3'-4"	2'-10"	HM	2	GL-2				1, 2
113	V4	7'-8"	2'-10"	HM	1	GL-2				1, 2

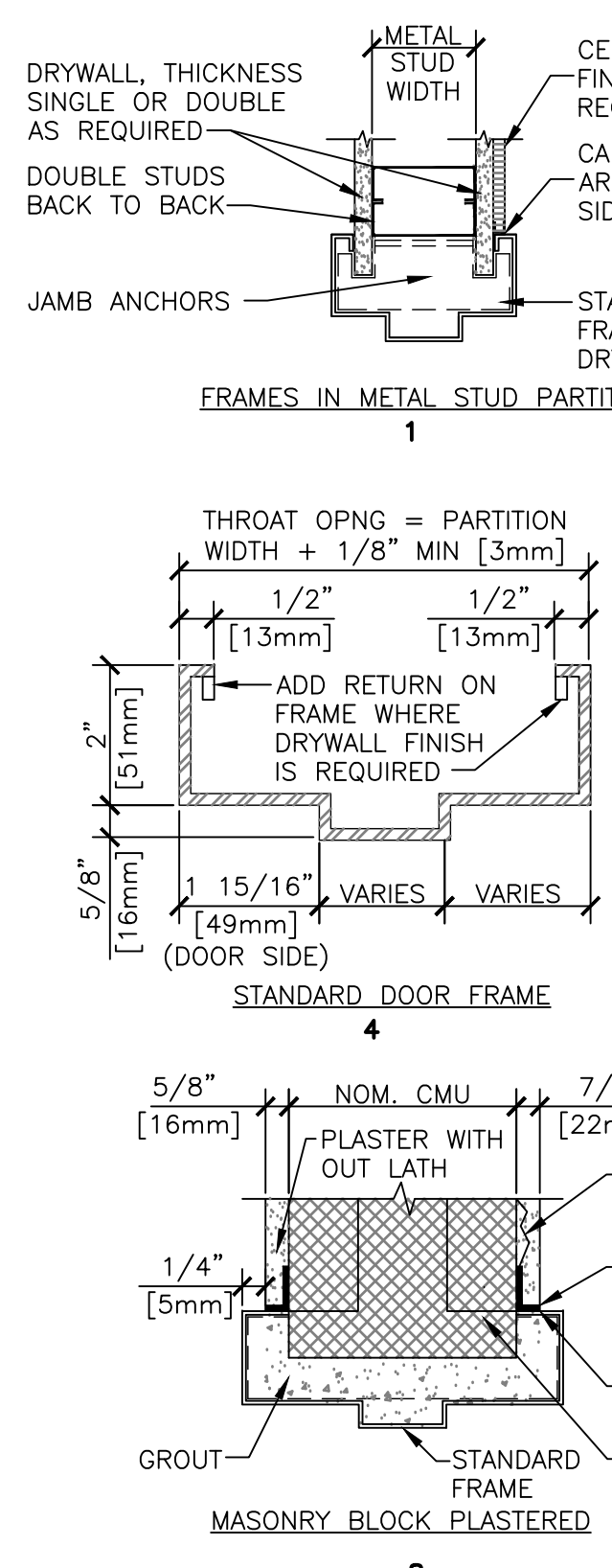
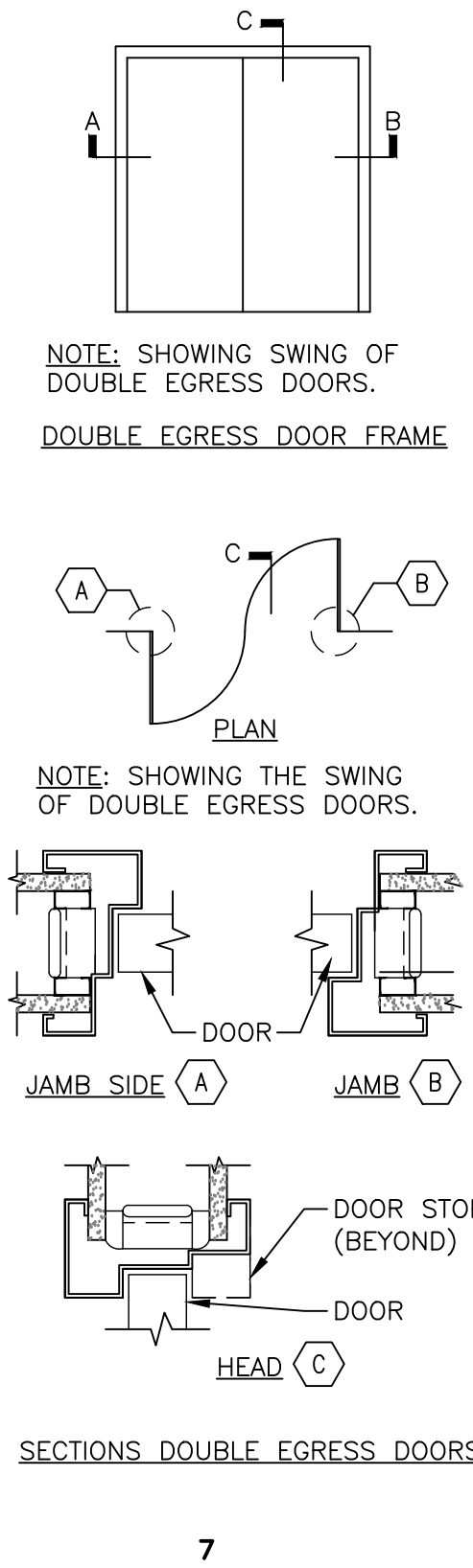
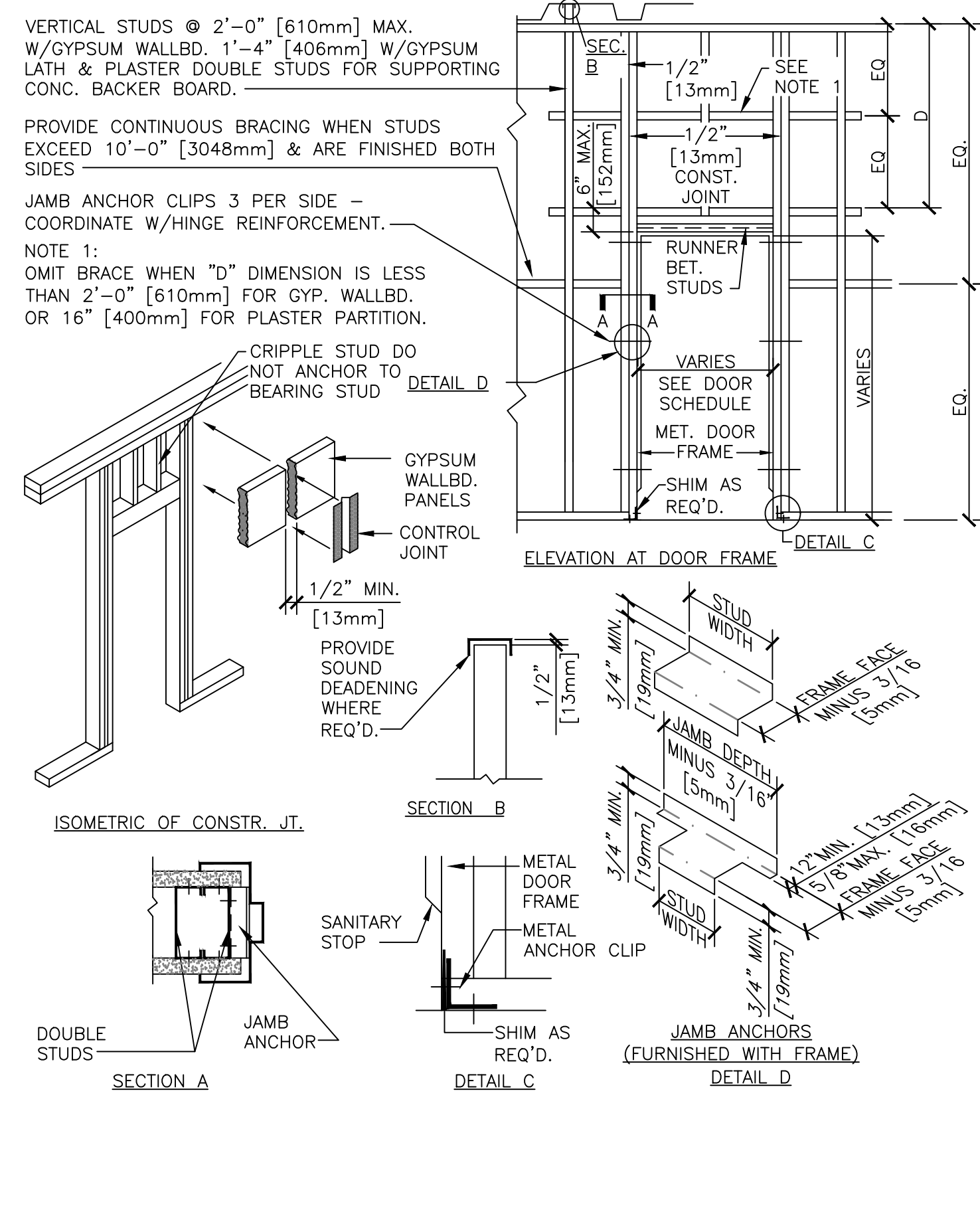
GENERAL NOTES:
1. GLASS AND FRAMES ARE BLAST RATED.
2. SOUND PROOF WINDOW ASSEMBLY
3. GL-2 LAMINATED GLAZING

OBSERVATION WINDOWS TYPES



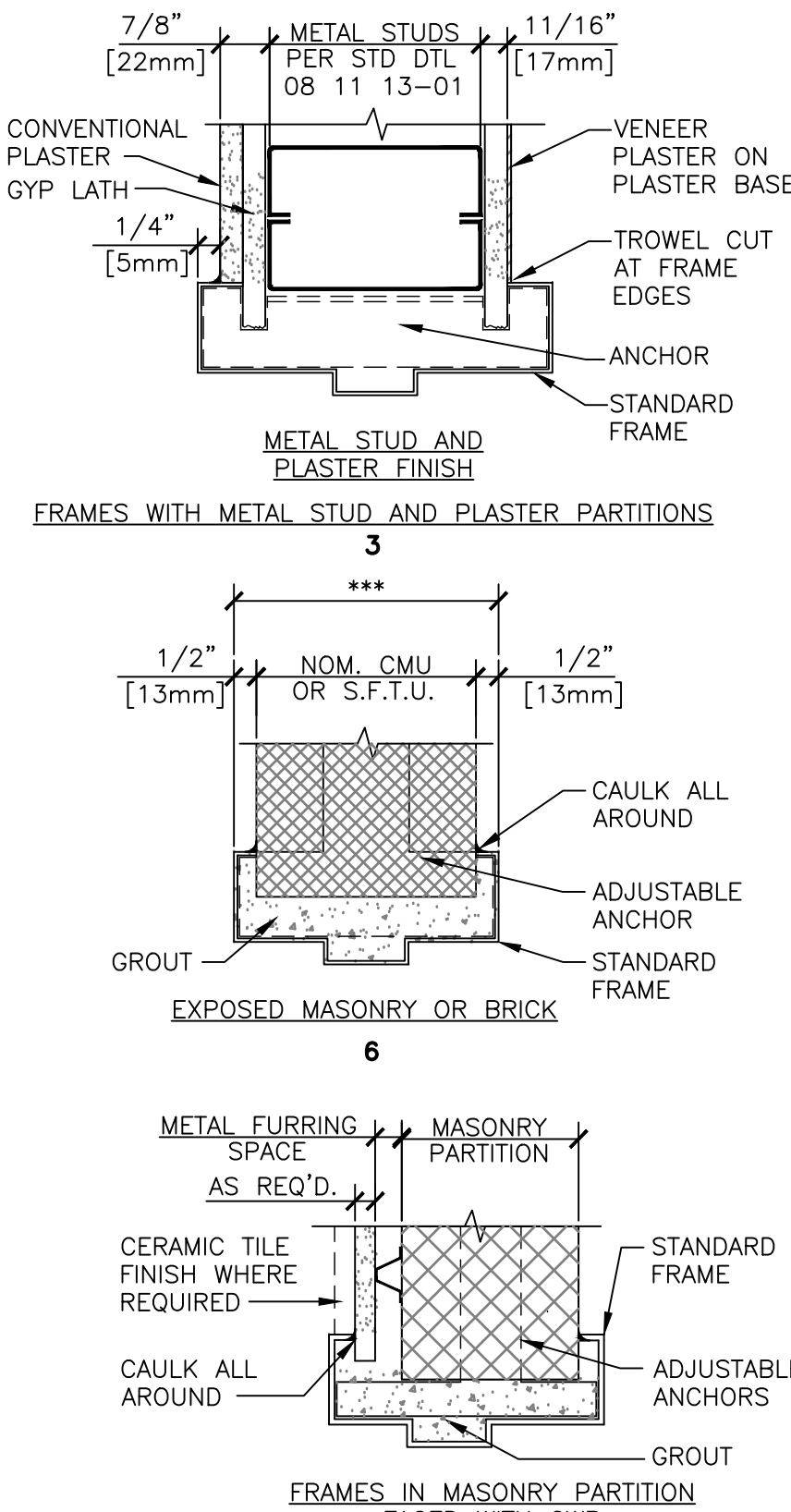
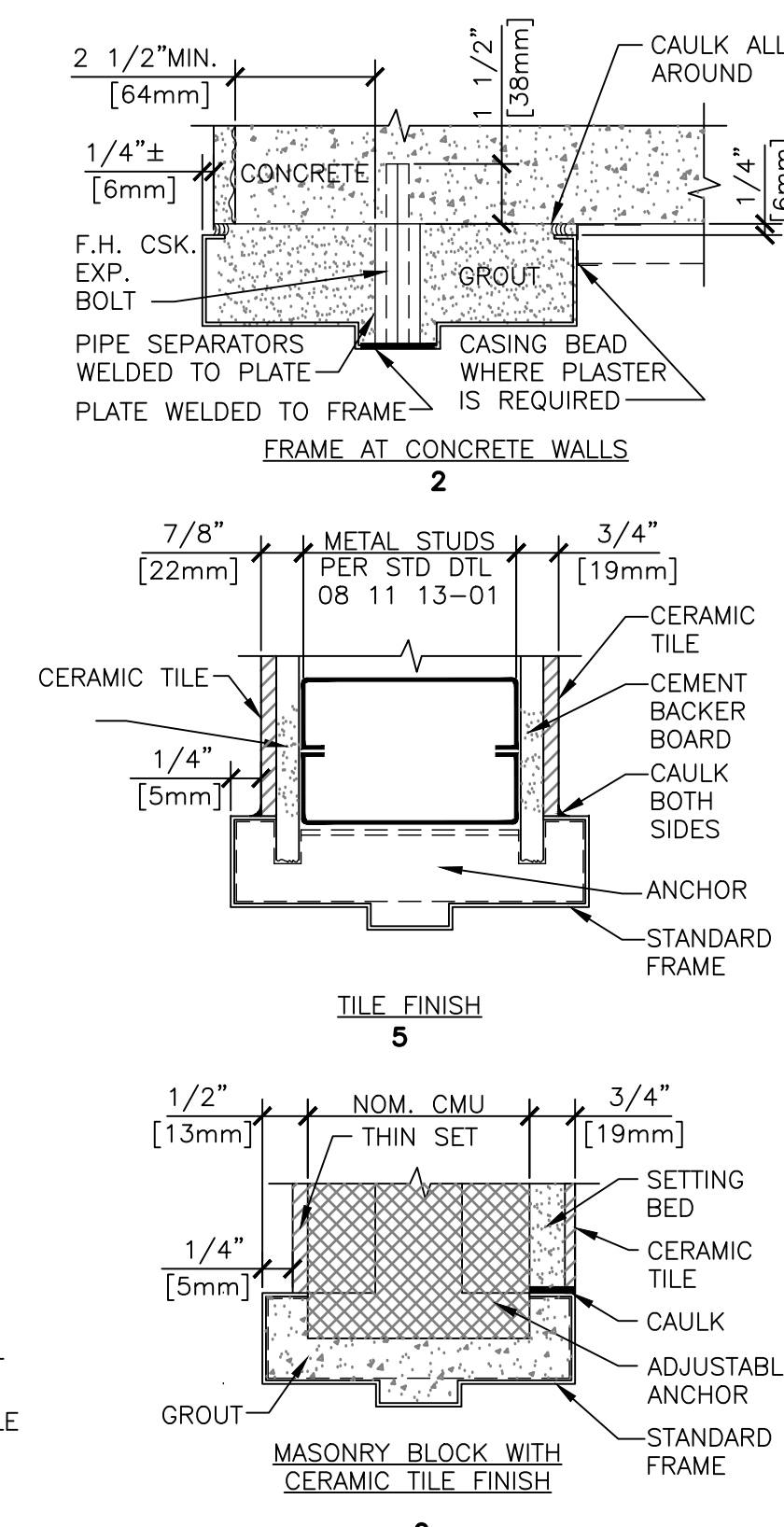
GENERAL NOTES:
1. ALL GLAZING TO BE BLAST PROOF.
2. PROVIDE HEADER IN METAL FRAMING & LINTEL AT MASONRY.
3. SEE SPECIFICATIONS FOR METAL GAUGES AND FASTENING.
4. ALL HOLLOW METAL FRAMES TO WELDED FRAMES.

FRAME TYPES

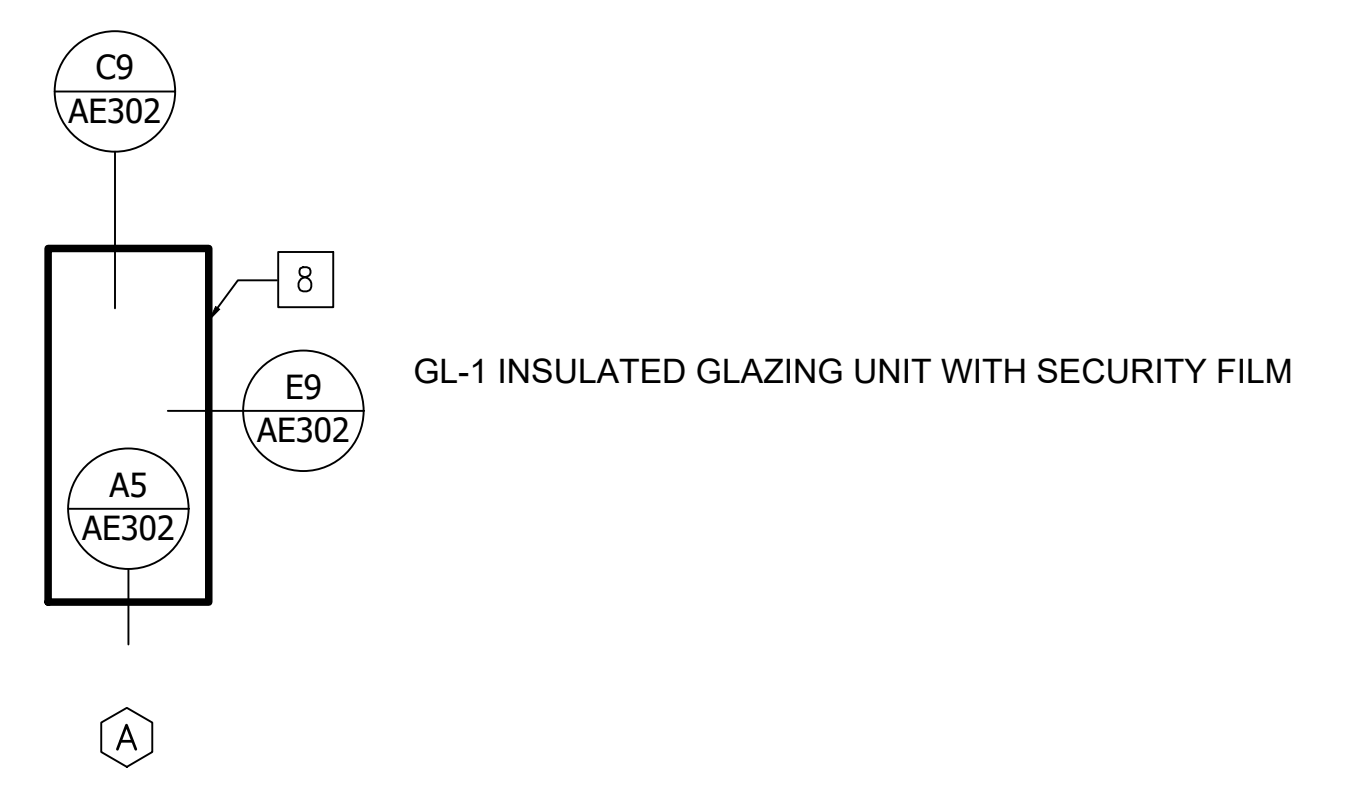


FRAMES IN MASONRY PARTITION
*** FRAME WIDTH FOR NOMINAL MASONRY
4 3/4" w/ 4" CMU [100 / 100 mm]
6 3/4" w/ 6" CMU [160 / 150 mm]
8 3/4" w/ 8" CMU [210 / 200 mm]

ALL HOLLOW METAL FRAMES TO WELDED FRAMES.



WINDOW TYPES



ADDENDUM 1	08-09-2024
ADDENDUM 3	01-17-2025

CONSULTANT

ARCHITECT/ENGINEER OF RECORD
paradigm
Architecture | Engineering | Design-Build
9000 Westex Place, Louisville, KY 40222
www.paradigmusa.com

Office of Construction and Facilities Management
U.S. Department of Veterans Affairs

Drawing Title
DOOR, WINDOW & FRAME SCHEDULE, HARDWARE SCHEDULE AND DETAILS
Approved: Project Director

Phase
100% CONSTRUCTION DOCUMENTS
FULLY SPRINKLERED

Project Title
SIOUX FALLS BOILER PLANT
Location
VAMC-Sioux Falls: 2501 W 22nd St, Sioux Falls, SD 57105
Issue Date
01-24-2025
Checked
TL
Drawn
EB

Project Number
438-22-900
Building Number
12
Drawing Number
AE600