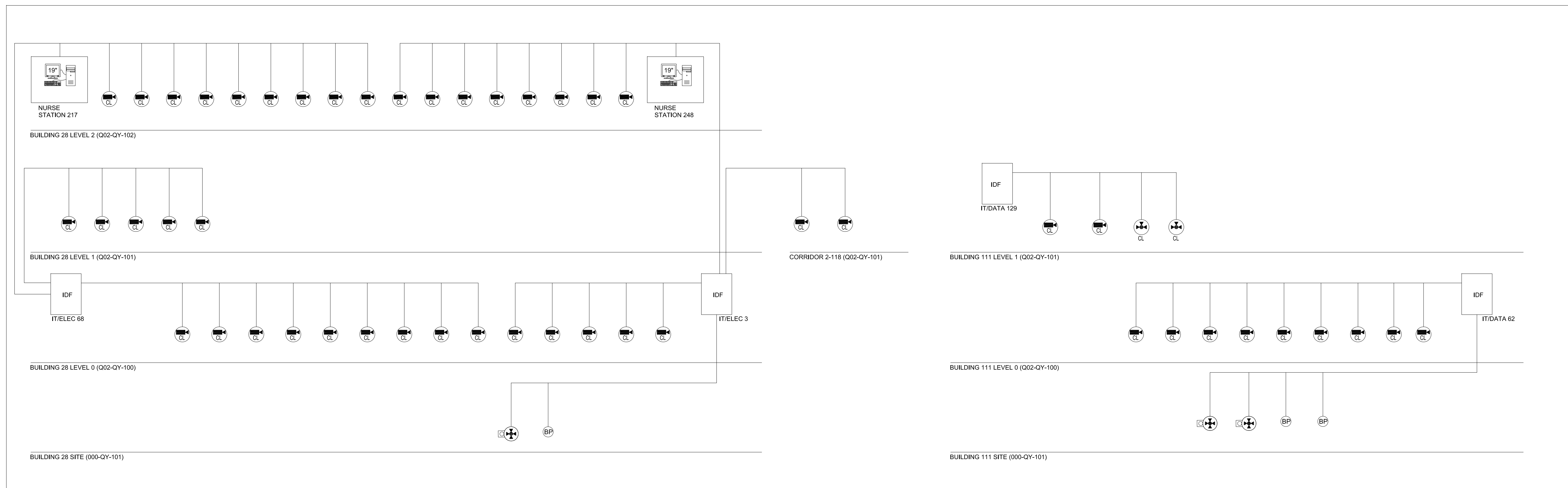


QUADRANT 1



QUADRANT 2

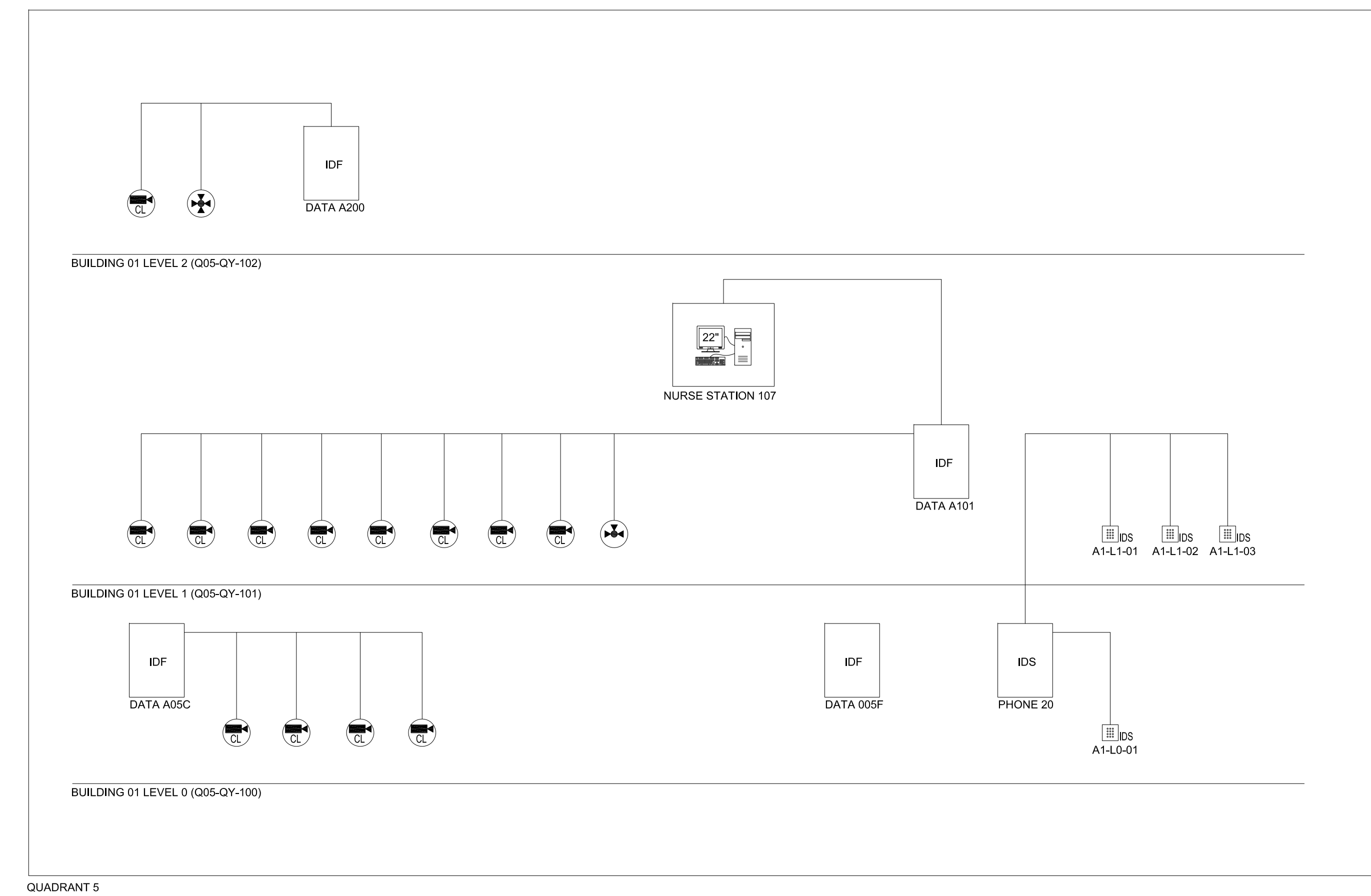
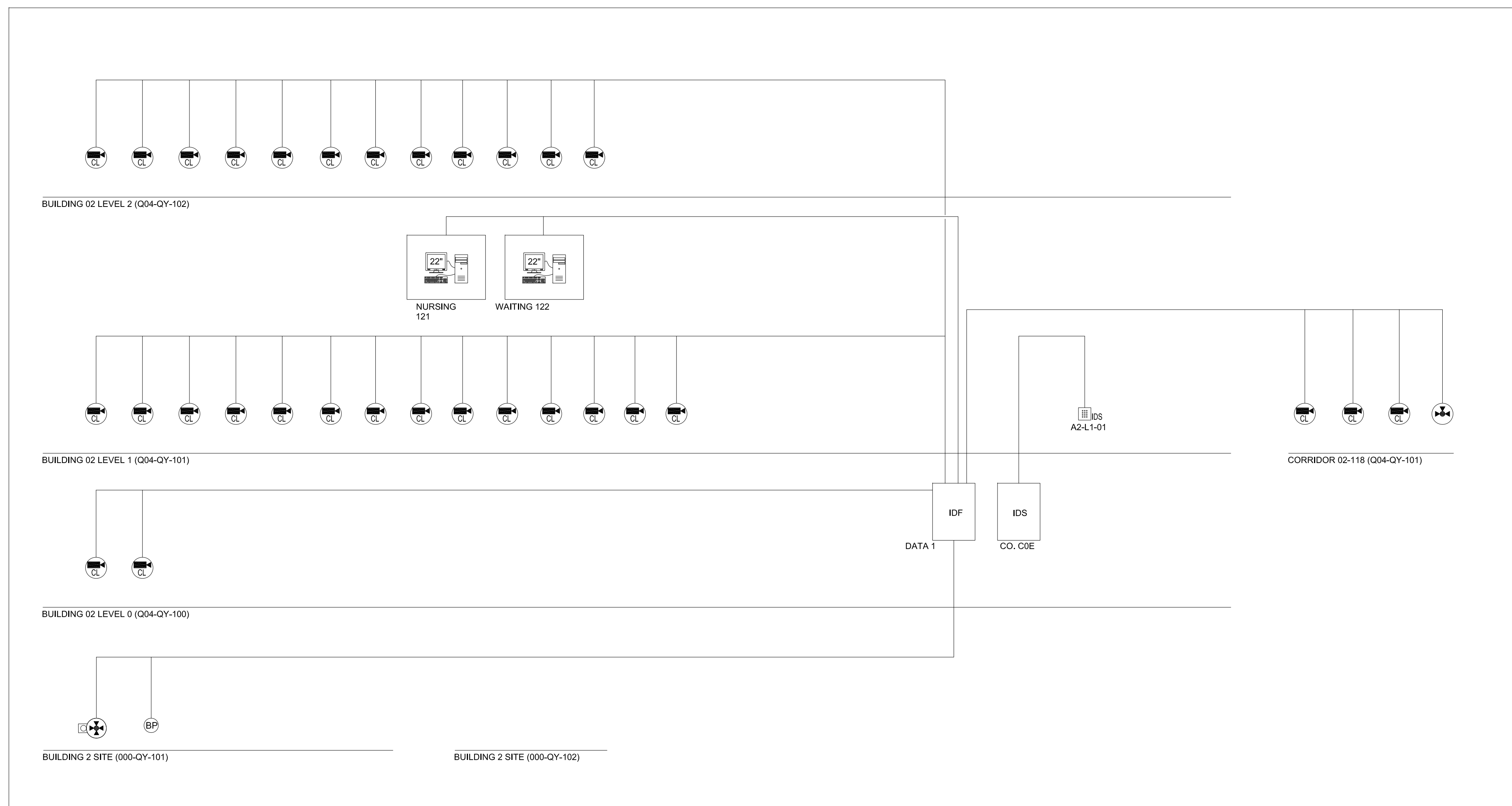
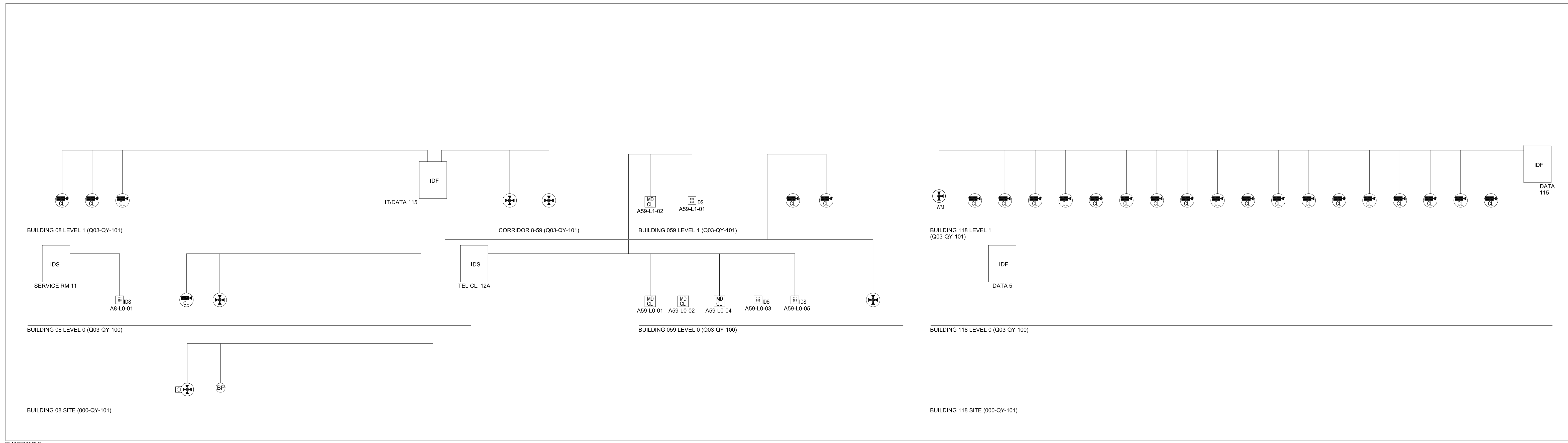
NO.	REVISION	DATE
1	CONSTRUCTION SET	05/28/20

APPROVED: PROJECT COORDINATOR	DATE:	APPROVED: SERVICE LINE DIRECTOR	DATE:	APPROVED: INFECTION CONTROL NURSE	DATE:
APPROVED: GEMS COORDINATOR	DATE:	APPROVED: PATIENT SAFETY	DATE:	APPROVED: CHIEF OF STAFF	DATE:
APPROVED: PROJECTS SECTION MANAGER	DATE:	APPROVED: CHIEF OF POLICE	DATE:	APPROVED: HEALTH CARE SYSTEM DIRECTOR	DATE:
APPROVED: DIRECTOR PMS	DATE:	APPROVED: SAFETY MANAGER	DATE:		

DRAWING TITLE <b>SECURITY RISER DIAGRAM</b>		
BUILDING NO.	CHECKED BY	DRAWN BY
LOCATION	DRAWING NO.	
ST. CLOUD, MN 56303	<b>000-QY-300</b>	
	DWG. 34 OF 81	

**CONSTRUCTION SET**



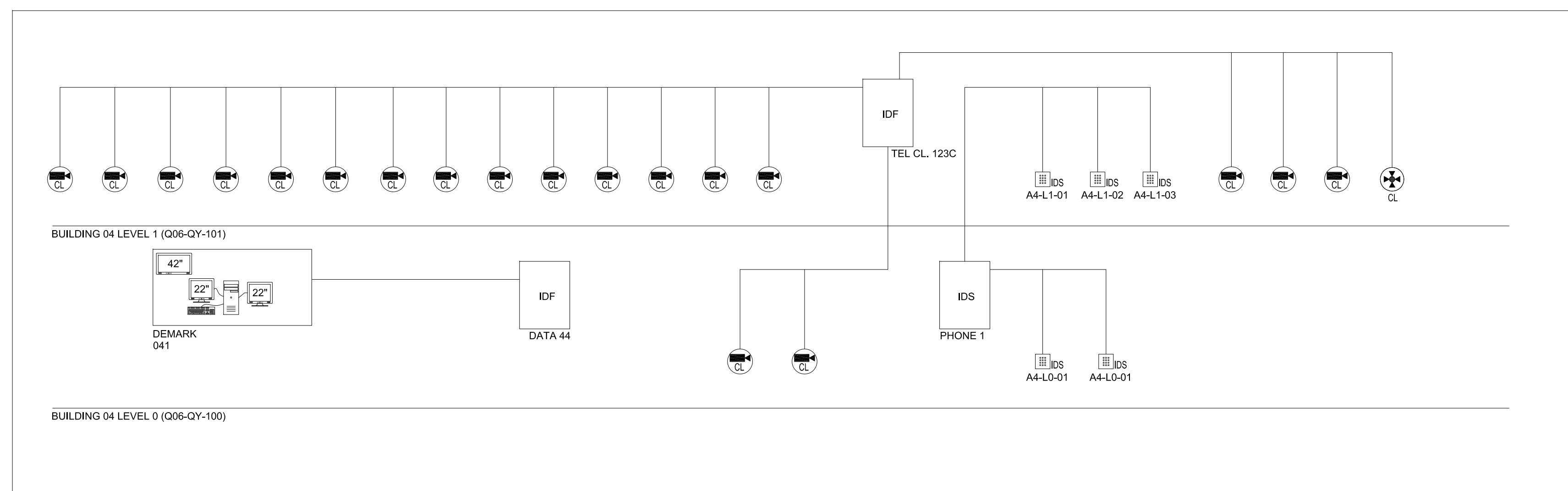


NO.	REVISION	DATE
1	CONSTRUCTION SET	05/28/20

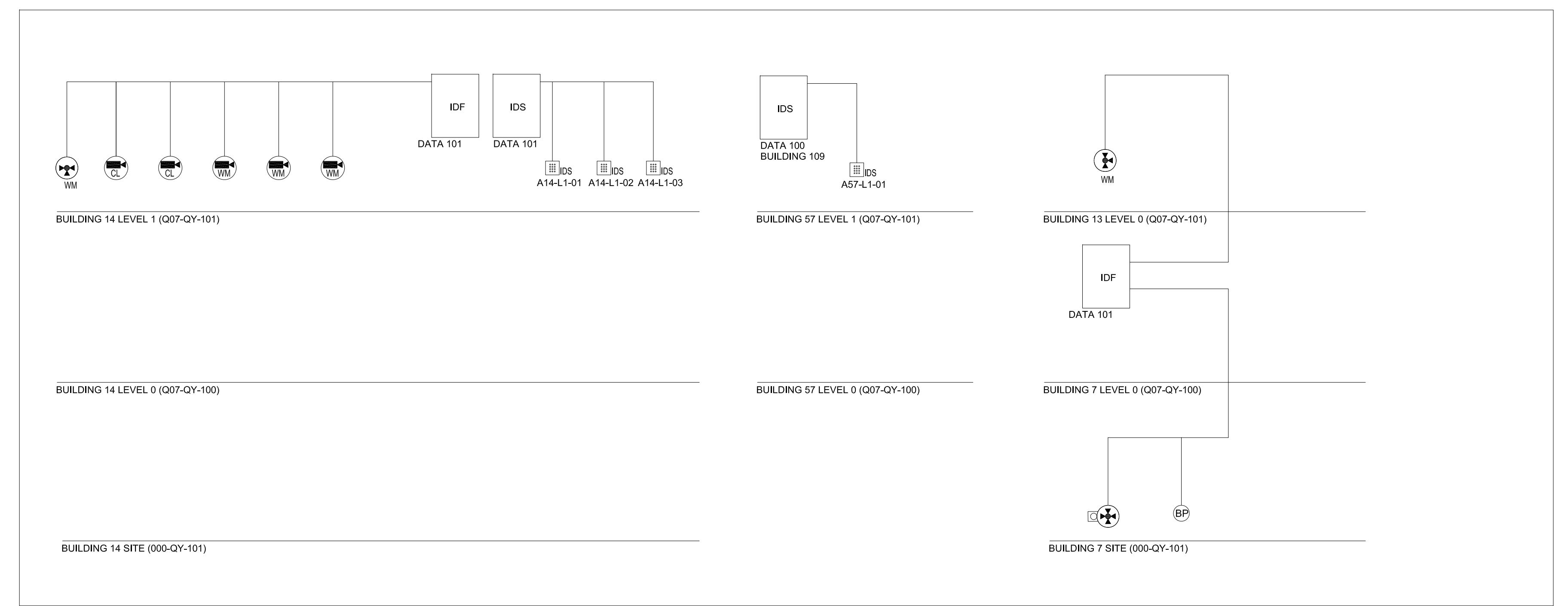
APPROVED: PROJECT COORDINATOR	DATE:	APPROVED: SERVICE LINE DIRECTOR	DATE:	APPROVED: INFECTION CONTROL NURSE	DATE:	DRAWING TITLE <b>SECURITY RISER DIAGRAM</b>	PROJECT TITLE
APPROVED: GEMS COORDINATOR	DATE:	APPROVED: PATIENT SAFETY DIRECTOR	DATE:	APPROVED: ASSOCIATE HEALTH CARE SYSTEM DIRECTOR	DATE:	APPROVED: CHIEF OF STAFF	BUILDING NO.
APPROVED: PROJECTS SECTION MANAGER	DATE:	APPROVED: CHIEF OF POLICE	DATE:	APPROVED: CHIEF OF HEALTH CARE SYSTEM DIRECTOR	DATE:	APPROVED: SAFETY MANAGER	CHECKED
APPROVED: DIRECTOR PMS	DATE:	APPROVED: SAFETY MANAGER	DATE:	APPROVED: HEALTH CARE SYSTEM DIRECTOR	DATE:	APPROVED: HEALTH CARE SYSTEM DIRECTOR	DRAWN
							AUTHOR
							LOCATION
							VA MEDICAL CENTER
							ST. CLOUD, MN 56303
							DRAWING NO.
							000-QY-301
							DWG. 35 OF 81

**CONSTRUCTION SET**

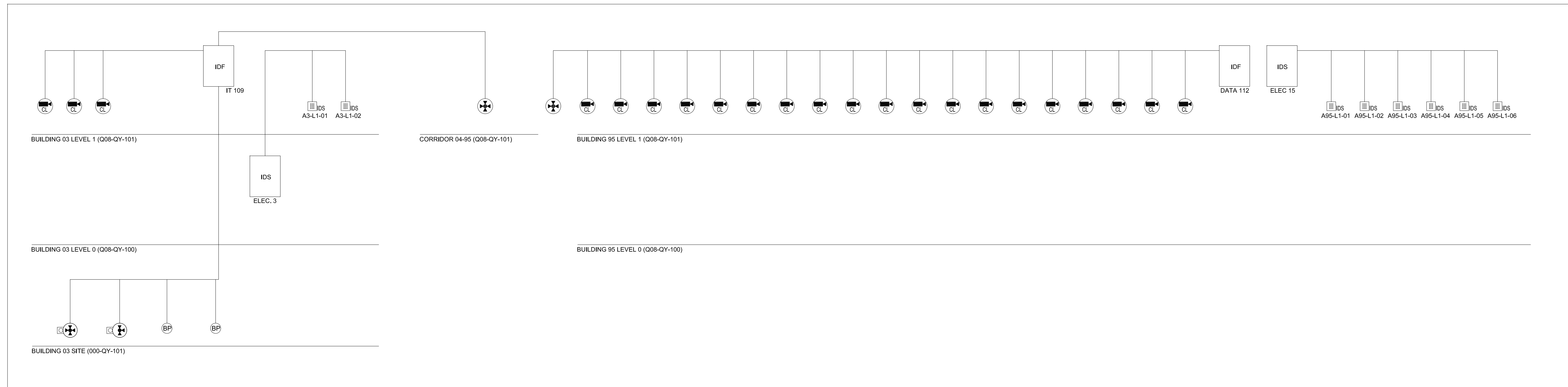




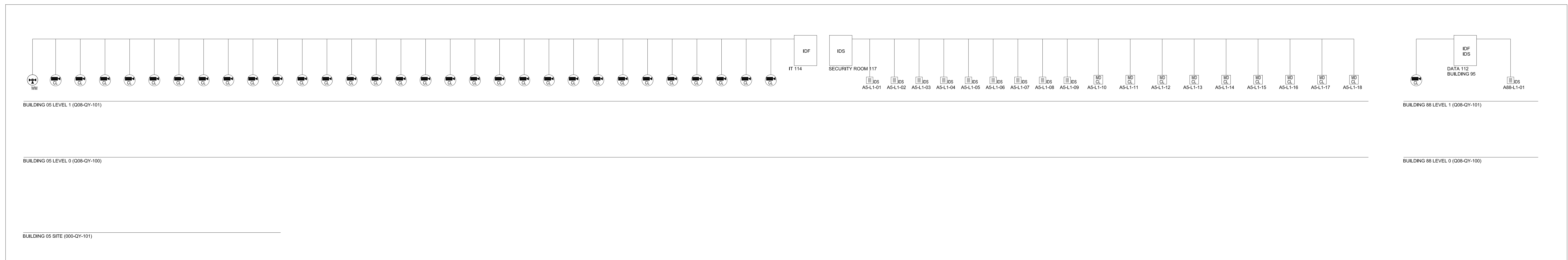
QUADRANT 6



QUADRANT 7



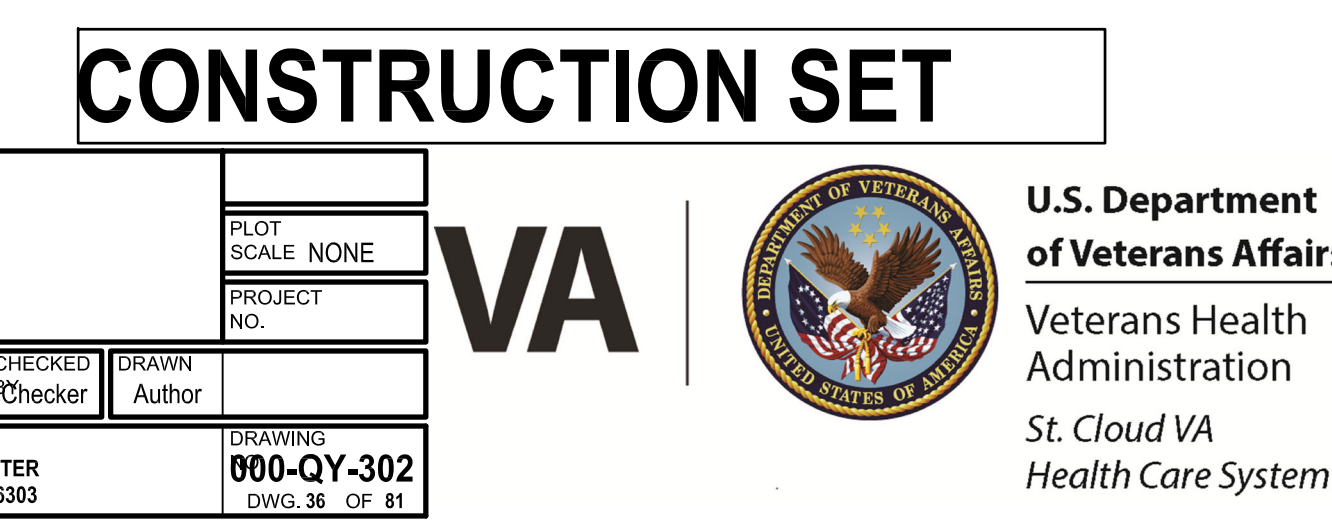
QUADRANT 8 (PART 1)



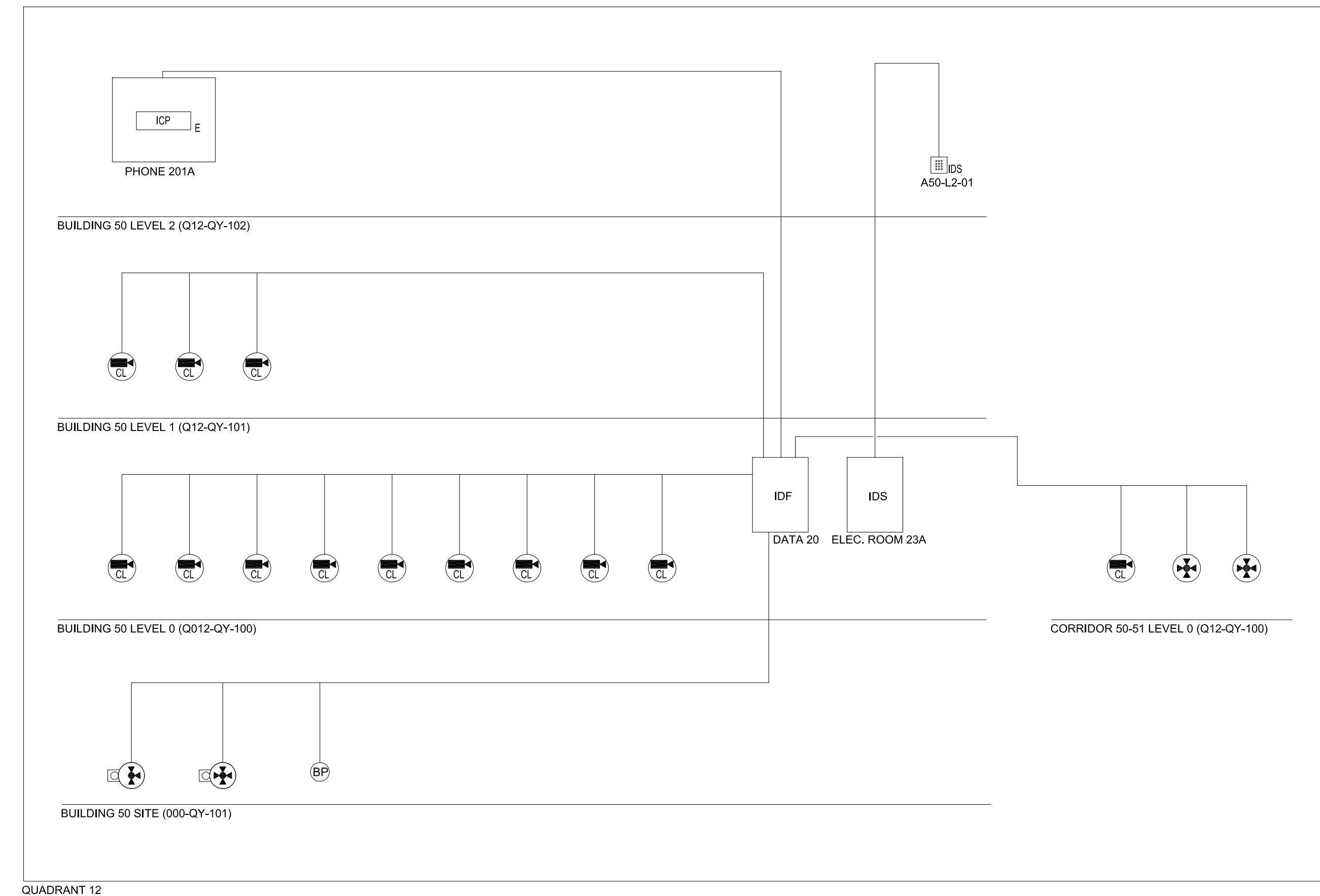
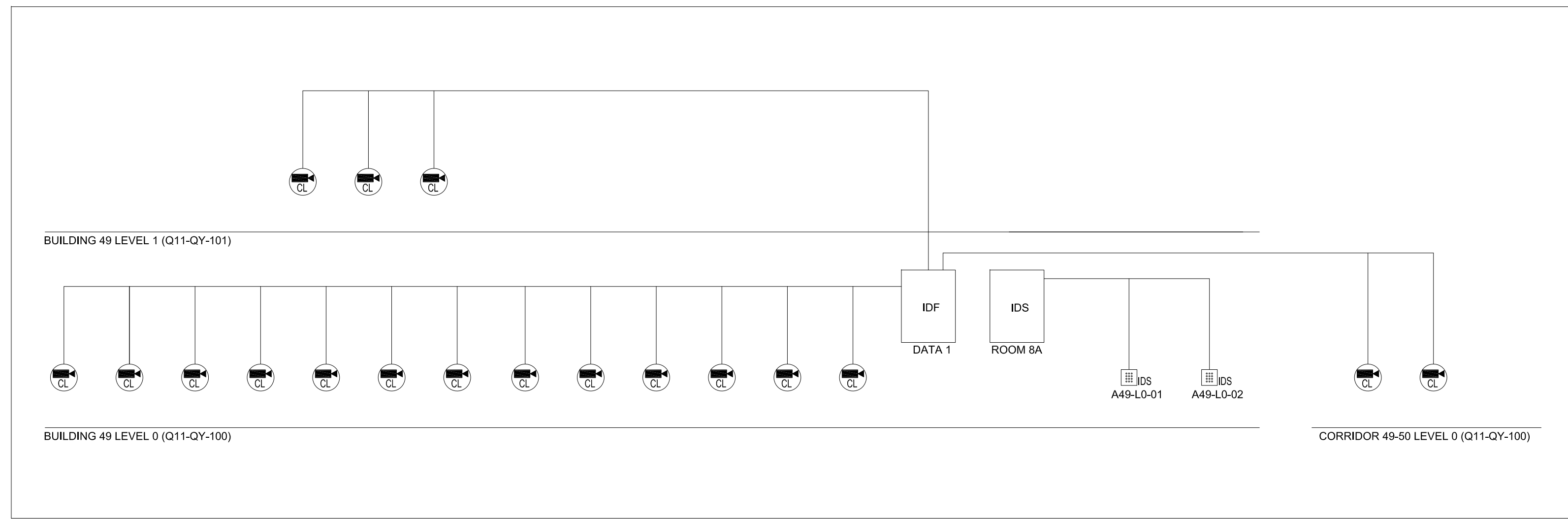
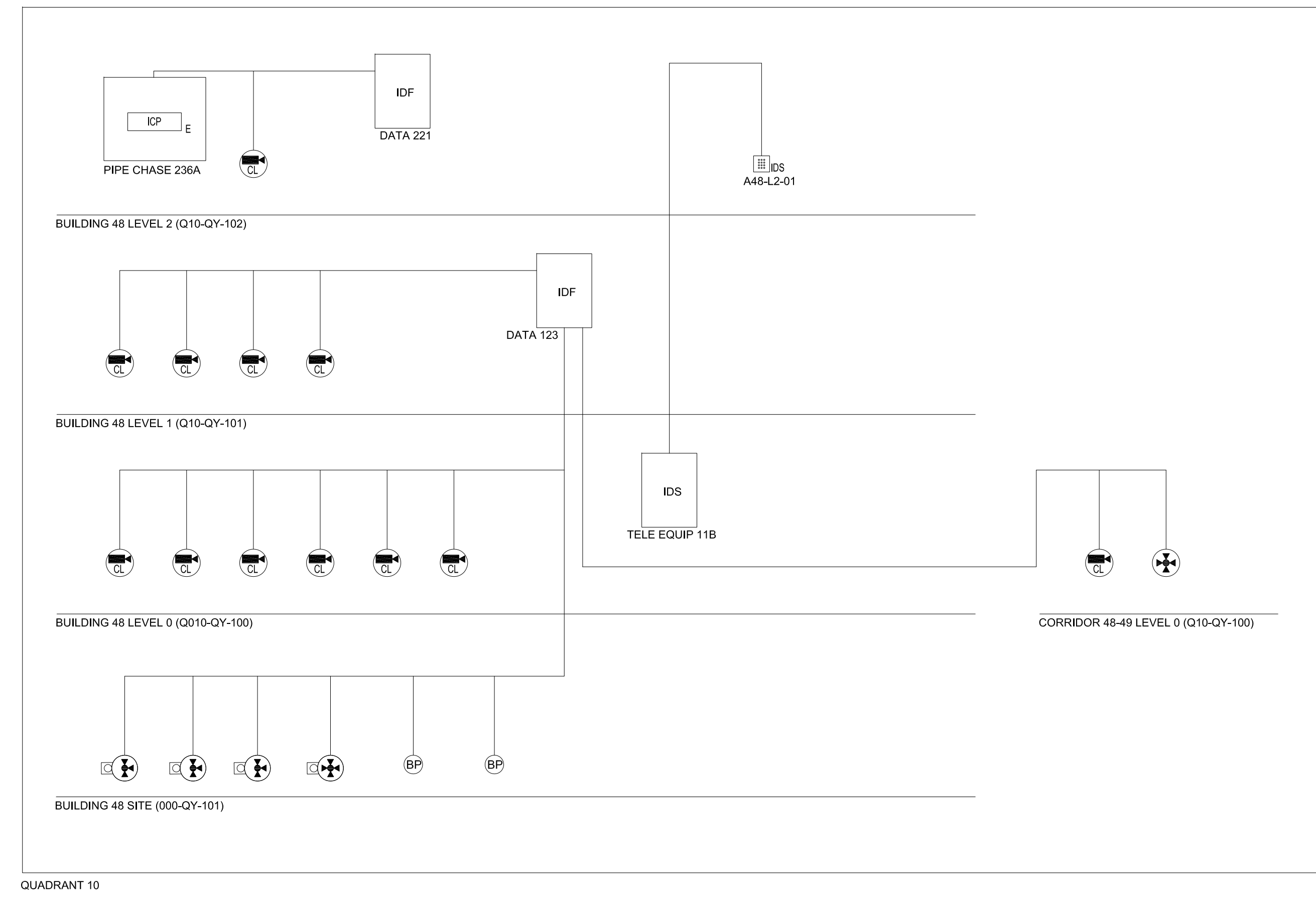
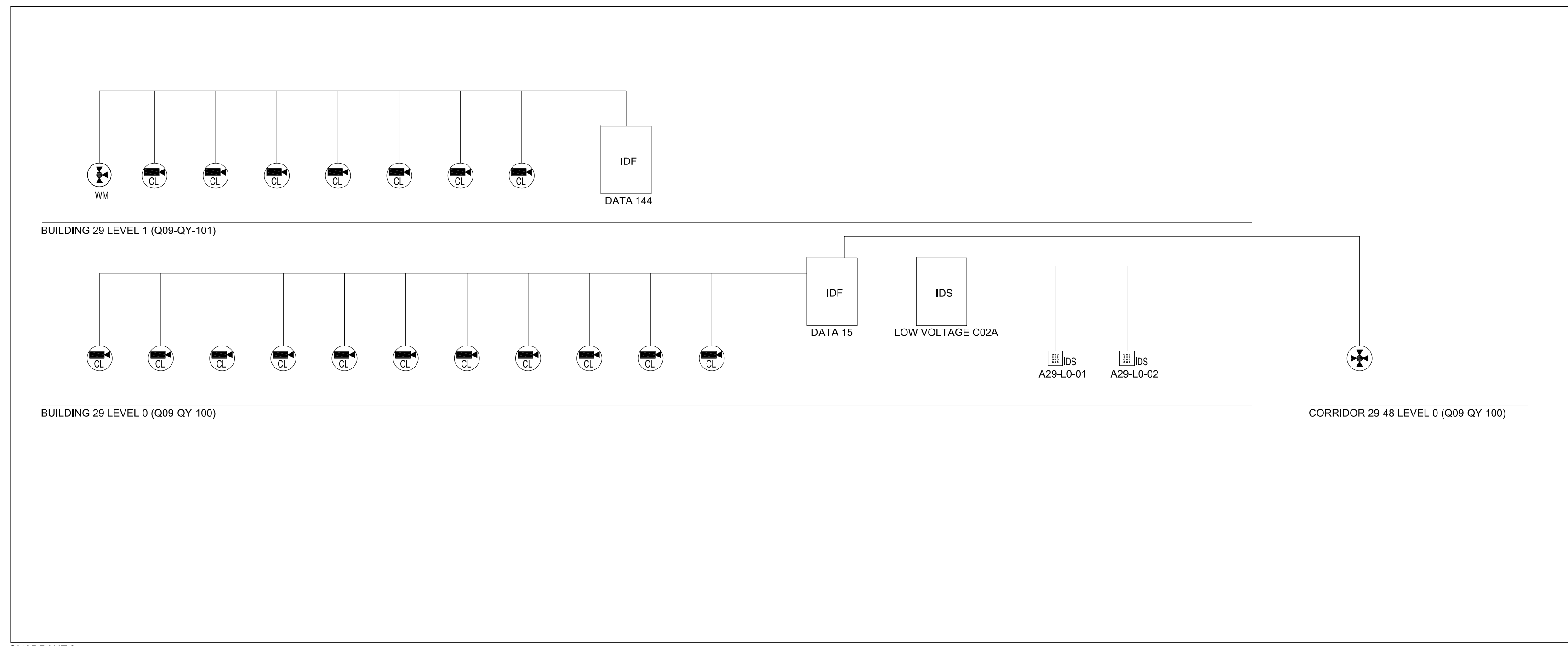
QUADRANT 8 (PART 2)

NO.	REVISION	DATE
1	CONSTRUCTION SET	05/28/20

APPROVED: PROJECT COORDINATOR	DATE:	APPROVED: SERVICE LINE DIRECTOR	DATE:	APPROVED: INFECTION CONTROL NURSE	DATE:	DRAWING TITLE <b>SECURITY RISER DIAGRAM</b>	PROJECT TITLE
APPROVED: GEMS COORDINATOR	DATE:	APPROVED: PATIENT SAFETY DIRECTOR	DATE:	APPROVED: ASSOCIATE HEALTH CARE SYSTEM DIRECTOR	DATE:	APPROVED: CHIEF OF STAFF	BUILDING NO.
APPROVED: PROJECTS SECTION MANAGER	DATE:	APPROVED: CHIEF OF POLICE	DATE:	APPROVED: HEALTH CARE SYSTEM DIRECTOR	DATE:	APPROVED: CHIEF OF POLICE	CHECKED
APPROVED: DIRECTOR PMS	DATE:	APPROVED: SAFETY MANAGER	DATE:	APPROVED: HEALTH CARE SYSTEM DIRECTOR	DATE:	APPROVED: CHIEF OF POLICE	DRAWN
LOCATION VA MEDICAL CENTER ST. CLOUD, MN 56303		DRAWING NO. <b>800-QY-302</b> DWG. 38 OF 81		PROJECT NO.		DRAWING SCALE NONE	







NO.	REVISION	DATE
1	CONSTRUCTION SET	05/28/20

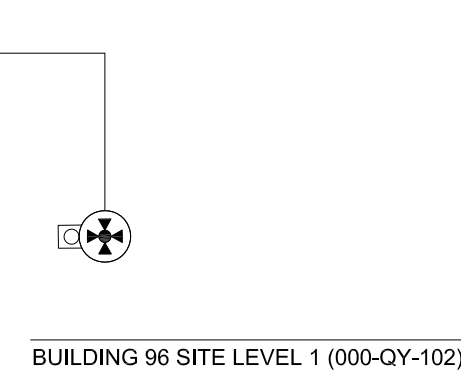
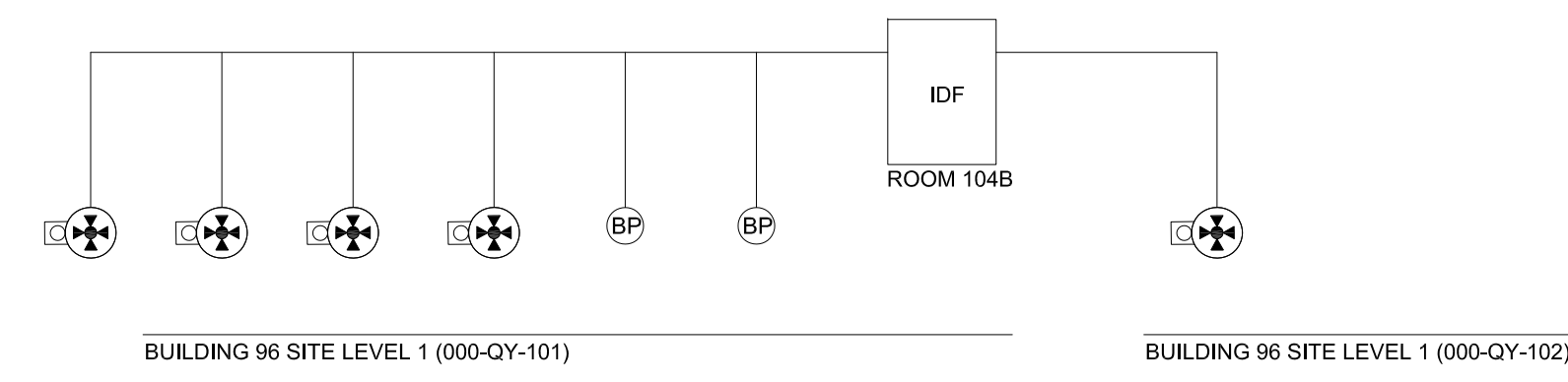
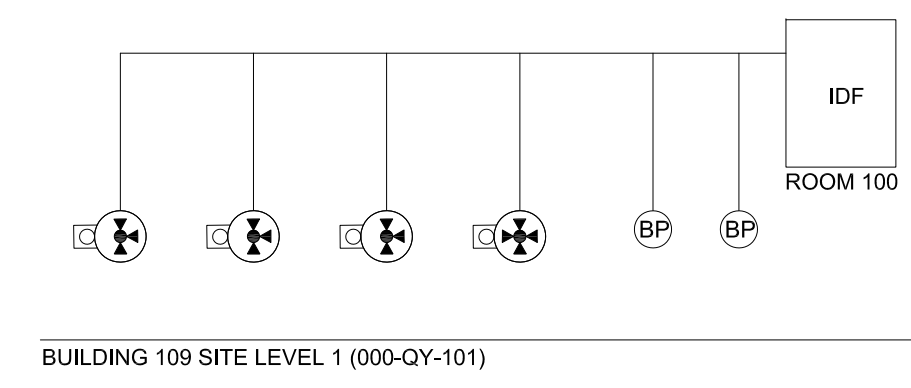
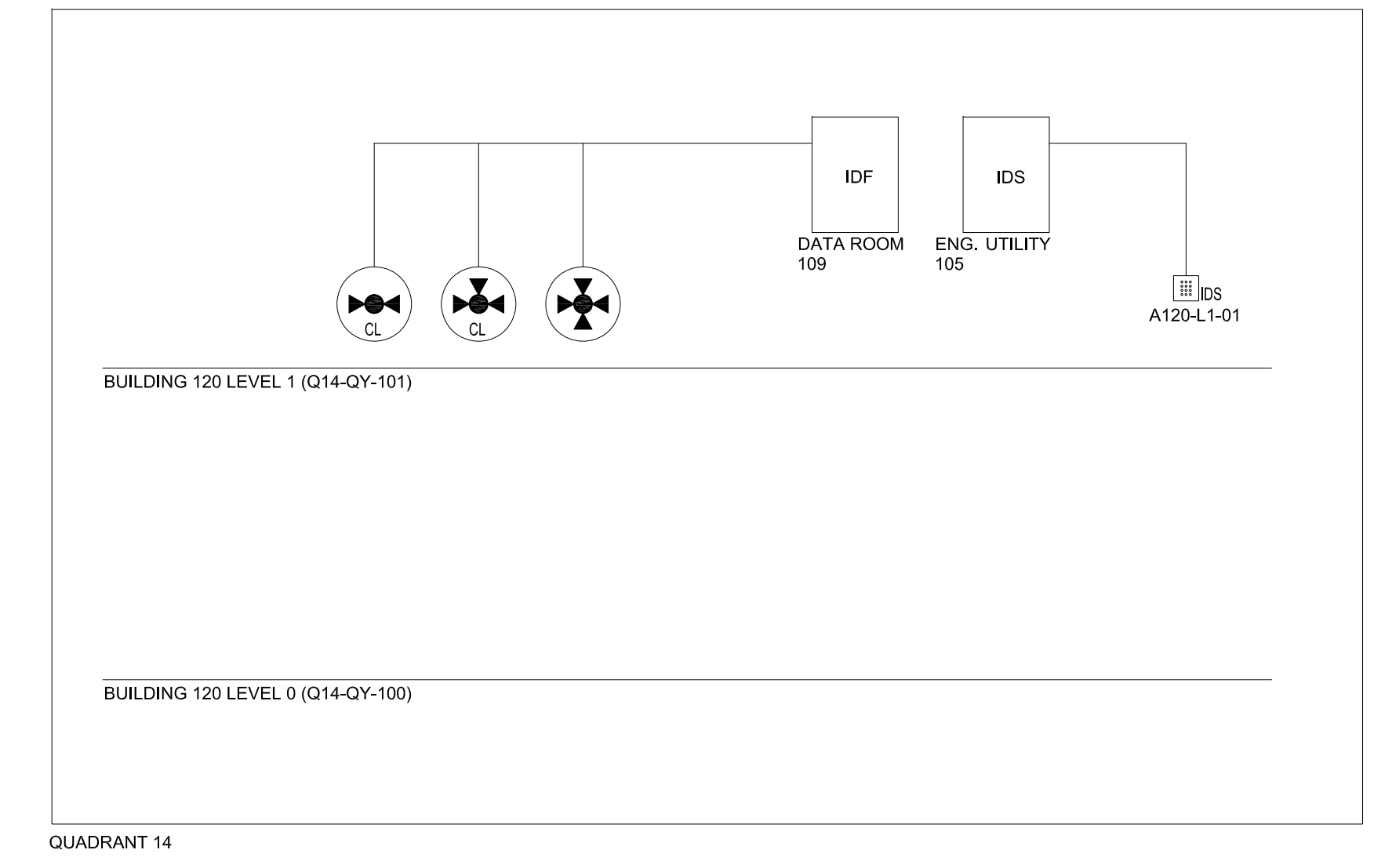
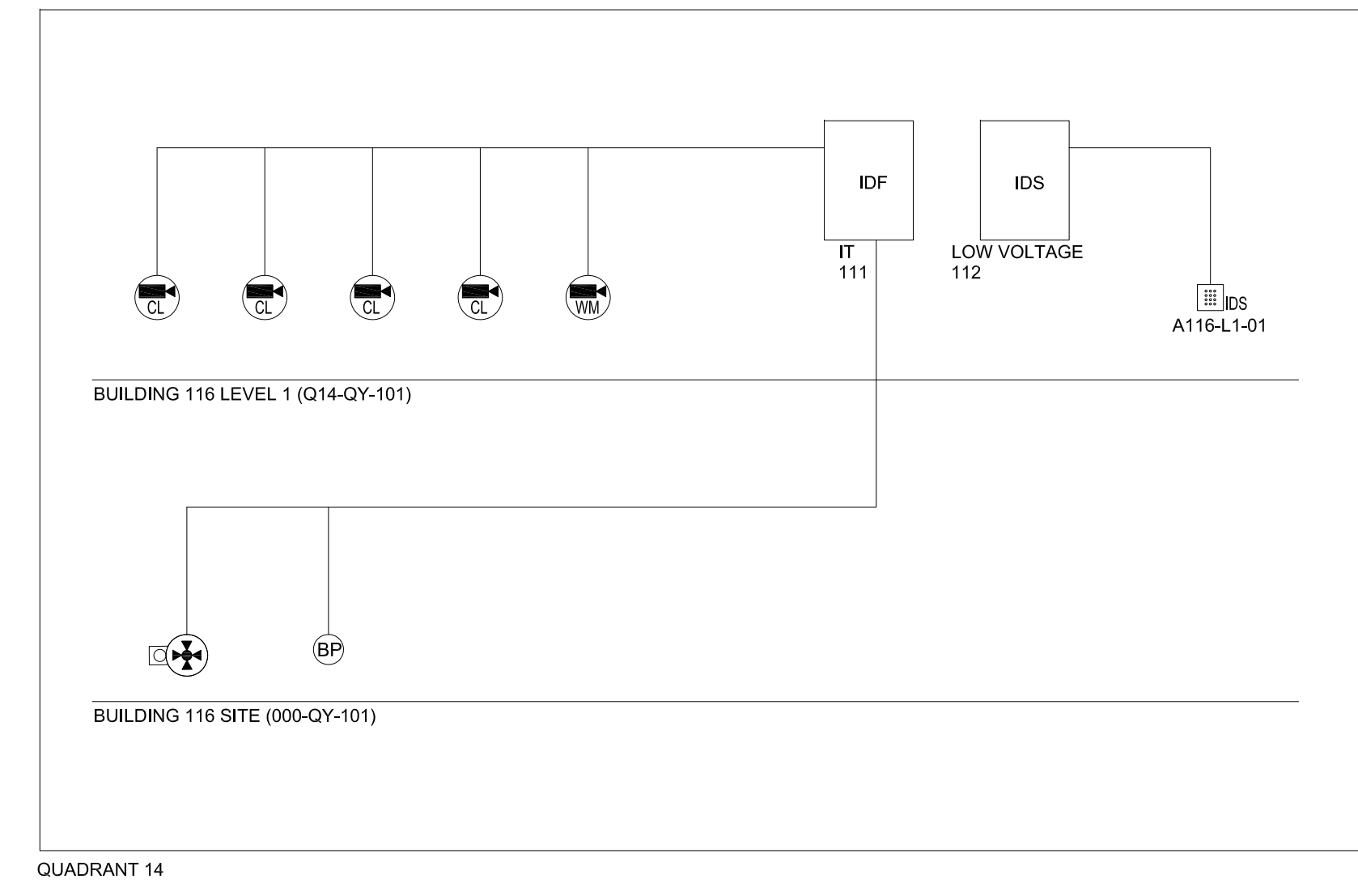
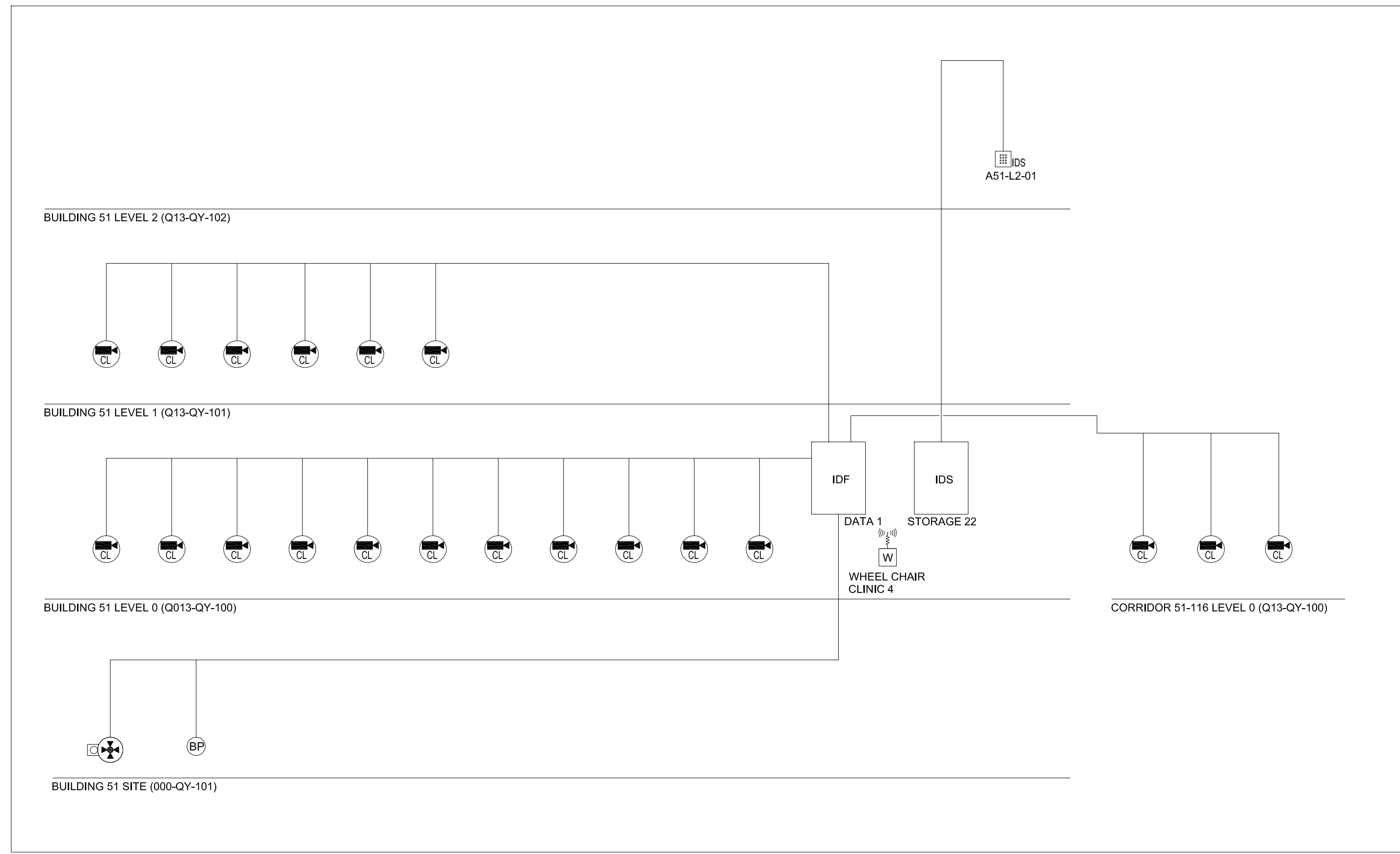
APPROVED: PROJECT COORDINATOR	DATE:	APPROVED: SERVICE LINE DIRECTOR	DATE:	APPROVED: INFECTION CONTROL NURSE	DATE:	DRAWING TITLE
						<b>SECURITY RISER DIAGRAM</b>
APPROVED: GEMS COORDINATOR	DATE:	APPROVED: PATIENT SAFETY	DATE:	APPROVED: ASSOCIATE HEALTH CARE SYSTEM DIRECTOR	DATE:	BUILDING NO.
APPROVED: PROJECTS SECTION MANAGER	DATE:	APPROVED: CHIEF OF POLICE	DATE:	APPROVED: CHIEF OF STAFF	DATE:	CHECKED BY
APPROVED: DIRECTOR PMS	DATE:	APPROVED: SAFETY MANAGER	DATE:	APPROVED: HEALTH CARE SYSTEM DIRECTOR	DATE:	DRAWN BY

PROJECT TITLE	PROJECT NO.	SCALE	NONE
LOCATION	VA MEDICAL CENTER	ST. CLOUD, MN 56303	DRAWING NO. 000-QY-303
			DWG. 37 OF 81

**CONSTRUCTION SET**







NO.	REVISION	DATE
1	CONSTRUCTION SET	05/28/20

APPROVED: PROJECT COORDINATOR	DATE:	APPROVED: SERVICE LINE DIRECTOR	DATE:	APPROVED: INFECTION CONTROL NURSE	DATE:
APPROVED: GEMS COORDINATOR	DATE:	APPROVED: PATIENT SAFETY	DATE:	APPROVED: ASSOCIATE HEALTH CARE SYSTEM DIRECTOR	DATE:
APPROVED: PROJECTS SECTION MANAGER	DATE:	APPROVED: CHIEF OF POLICE	DATE:	APPROVED: CHIEF OF STAFF	DATE:
APPROVED: DIRECTOR PMS	DATE:	APPROVED: SAFETY MANAGER	DATE:	APPROVED: HEALTH CARE SYSTEM DIRECTOR	DATE:

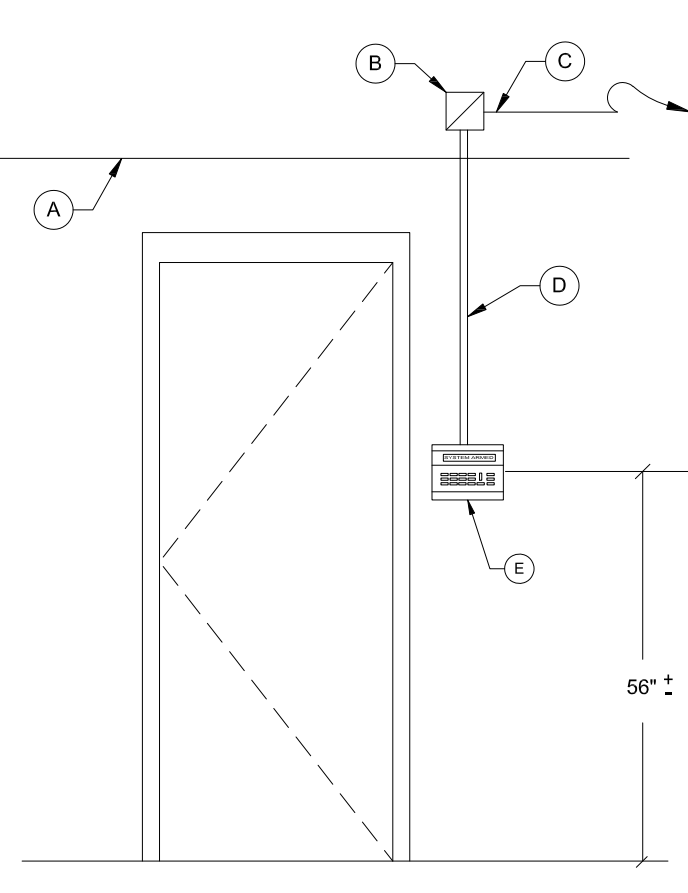
PROJECT TITLE			DRAWING TITLE		
BUILDING NO.			DRAWING NO.		
CHECKED	DRAWN	DATE	CHECKED	DRAWN	DATE
Author	Author		Checker	Author	
LOCATION			DRAWING		
VA MEDICAL CENTER			800-QY-304		
ST. CLOUD, MN 56303			DWG. 38 OF 81		

**CONSTRUCTION SET**



**NOTES:**

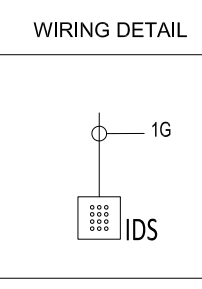
- REFER TO ARCHITECTURAL DRAWINGS FOR FLOOR/WALL CONSTRUCTION TO COORDINATE MOUNTING.
- VERIFY FINAL MOUNTING LOCATION WITH THE ARCHITECT AND/OR THE CLIENT PRIOR TO ROUGH-IN AND INSTALLATION.
- REFER TO SECURITY SPECIFICATIONS FOR DEVICE REQUIREMENTS AND MOUNTING HARDWARE.




**SCHEDULE:**

- A. FINISHED CEILING PER ARCHITECTURAL SPECS
- B. 4" SQ. PULL BOX WITH COVER PLATE ABOVE ACCESSIBLE CEILING
- C. CABLE(S) AND/OR CONDUIT PER DRAWINGS AND SPECS
- D. 3/4" CONDUIT CONCEALED IN WALL
- E. IDS KEYPAD MOUNTED ON SINGLE GANG BACK BOX

**WIRING DETAIL:**



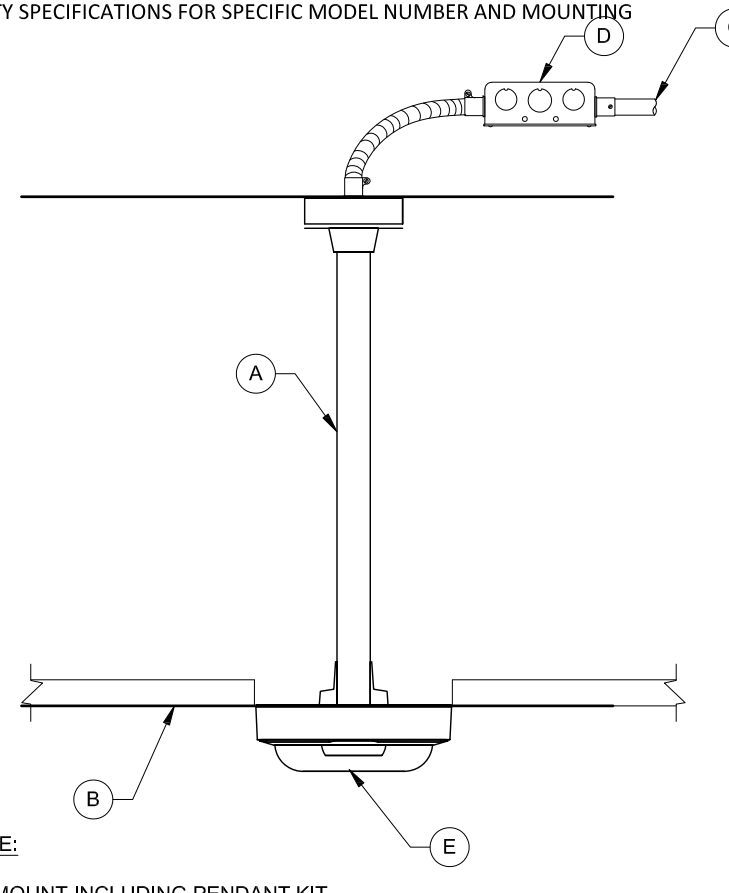
**A01 IDS KEYPAD FLOOR PLAN REPRESENTATION:**



© DVS SECURITY CONSULTING & ENGINEERING

**NOTES:**

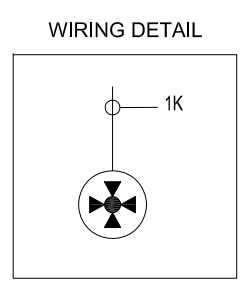
- REFER TO ARCHITECTURAL DRAWINGS FOR WALL/CEILING CONSTRUCTION TO COORDINATE MOUNTING.
- VERIFY FINAL MOUNTING HEIGHT AND/OR LOCATION WITH THE ARCHITECT AND/OR THE CLIENT PRIOR TO ROUGH-IN AND INSTALLATION.
- REFER TO SECURITY SPECIFICATIONS FOR SPECIFIC MODEL NUMBER AND MOUNTING HARDWARE.




**SCHEDULE:**

- A. CEILING MOUNT INCLUDING PENDANT KIT
- B. FINISHED CEILING PER ARCHITECTURAL SPECS
- C. CABLE(S) AND/OR CONDUIT PER DRAWINGS AND SPECS
- D. 4" SQ. JUNCTION BOX LOCATED AT NEAREST ACCESSIBLE OPENING
- E. CEILING MOUNTED 360° CAMERA

**WIRING DETAIL:**



**C01 360° INDOOR CAMERA- INTERIOR CEILING MOUNT FLOOR PLAN REPRESENTATION:**



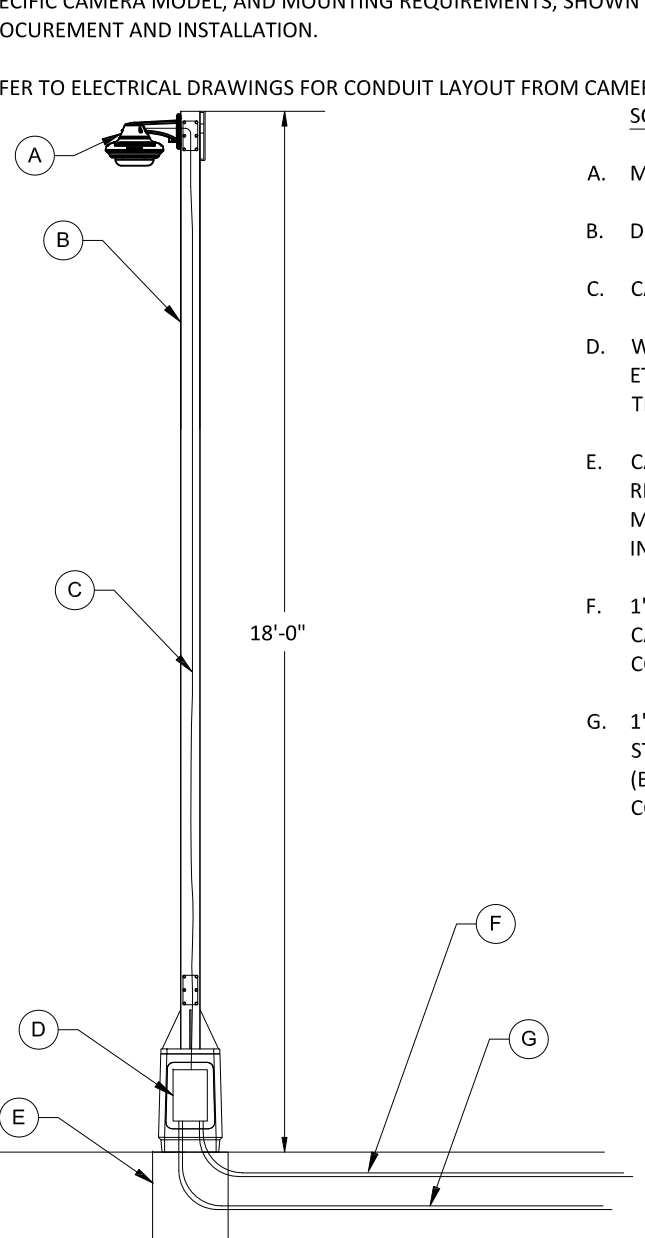
© DVS SECURITY CONSULTING & ENGINEERING

**NOTES:**

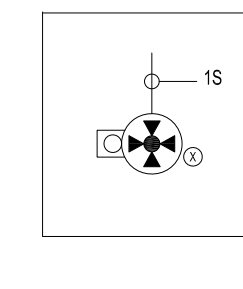
- VERIFY FINAL MOUNTING HEIGHT AND LOCATION WITH THE DESIGN TEAM PRIOR TO ROUGH-IN AND INSTALLATION.
- REFER TO SECURITY SPECIFICATIONS FOR DEVICE REQUIREMENTS AND MOUNTING HARDWARE.
- ALL EXTERIOR SECURITY DEVICES TO BE MOUNTED, SECURED AND/OR FASTENED WITH STAINLESS STEEL HARDWARE.
- SPECIFIC CAMERA MODEL AND MOUNTING REQUIREMENTS, SHOWN MAY DIFFER FROM PROVIDED MODEL AT TIME OF PROCUREMENT AND INSTALLATION.
- REFER TO ELECTRICAL DRAWINGS FOR CONDUIT LAYOUT FROM CAMERA POLE TO BUILDING CONNECTIONS.

**SCHEDULE:**

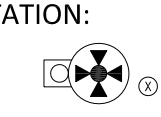
- A. MULTI-HEAD EXTERIOR IP CAMERA IN DOME
- B. DEDICATED SECURITY POLE
- C. CAMERA LOW VOLTAGE POWER AND SIGNAL CABLE
- D. WEATHERPROOF NEMA RATED ENCLOSURE WITH ETHERNET TO FIBER MEDIA CONVERTER AND 24V POWER TRANSFORMER
- E. CAMERA POLE CONCRETE PAD (CONFIRM PAD REQUIREMENTS WITH SELECTED CAMERA POLE MANUFACTURER AND DESIGN TEAM PRIOR TO INSTALLATION)
- F. 1" LOW VOLTAGE CONDUIT FOR VIDEO SURVEILLANCE CAMERA SIGNAL FIBER CABLE (BY ELECTRICAL CONTRACTOR)
- G. 1" HIGH VOLTAGE CONDUIT AND 120V POWER TO 24V STEP-DOWN TRANSFORMER FOR FIBER MEDIA CONVERTER (BY ELECTRICAL CONTRACTOR)



**WIRING DETAIL:**



**C02 FIXED SECURITY POLE WITH EXTERIOR MULTI-HEAD CAMERA FLOOR PLAN REPRESENTATION:**



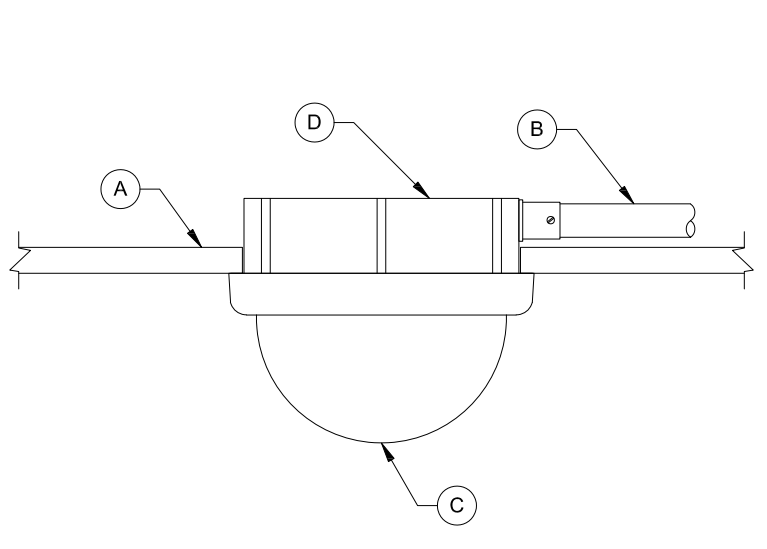
© DVS SECURITY CONSULTING & ENGINEERING

**NOTES:**

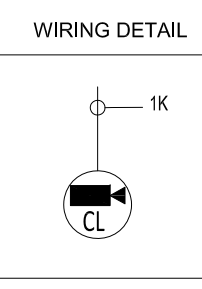
- REFER TO ARCHITECTURAL DRAWINGS FOR WALL/CEILING CONSTRUCTION TO COORDINATE MOUNTING.
- VERIFY FINAL MOUNTING HEIGHT AND/OR LOCATION WITH THE ARCHITECT AND/OR THE CLIENT PRIOR TO ROUGH-IN AND INSTALLATION.
- REFER TO SECURITY SPECIFICATIONS FOR DEVICE REQUIREMENTS AND MOUNTING HARDWARE.
- SPECIFIC CAMERA MODEL AND MOUNTING REQUIREMENTS, SHOWN MAY DIFFER FROM PROVIDED MODEL AT TIME OF PROCUREMENT AND INSTALLATION.
- REFER TO ELECTRICAL DRAWINGS FOR CONDUIT LAYOUT TO BUILDING CONNECTIONS.

**SCHEDULE:**

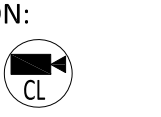
- A. FINISHED CEILING PER ARCHITECTURAL SPECS
- B. CABLE(S) AND CONDUIT PER DRAWINGS AND SPECS
- C. RECESSED CEILING MOUNTED MINI-DOME CAMERA
- D. BODY OF CAMERA WITH CONDUIT KNOCK OUTS. PROVIDE SUPPORT BRIDGE WHERE INSTALLED IN ACCUSTIC CEILING TILE.



**WIRING DETAIL:**



**C03 FIXED MINI-DOME CAMERA- INTERIOR RECESSED CEILING MOUNT FLOOR PLAN REPRESENTATION:**



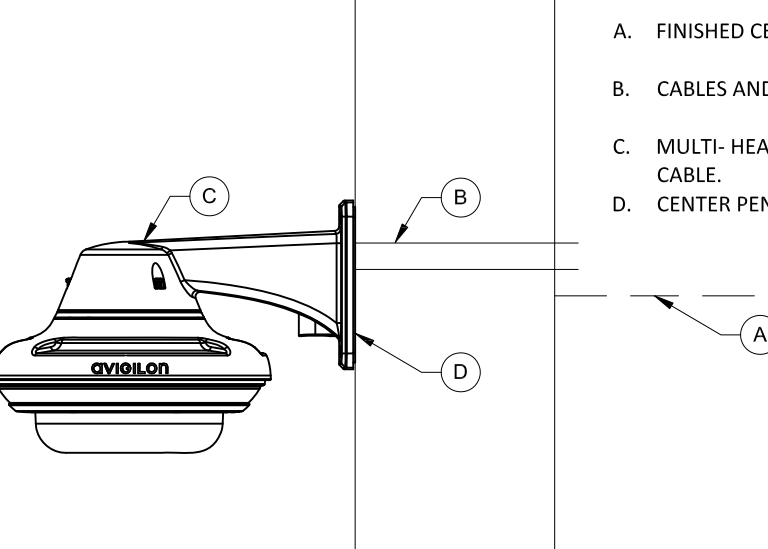
© DVS SECURITY CONSULTING & ENGINEERING

**NOTES:**


- VERIFY FINAL MOUNTING HEIGHT AND LOCATION WITH THE DESIGN TEAM PRIOR TO ROUGH-IN AND INSTALLATION.
- REFER TO SECURITY SPECIFICATIONS FOR DEVICE REQUIREMENTS AND MOUNTING HARDWARE.
- ALL EXTERIOR SECURITY DEVICES TO BE MOUNTED, SECURED AND/OR FASTENED WITH STAINLESS STEEL HARDWARE.
- SPECIFIC CAMERA MODEL AND MOUNTING REQUIREMENTS, SHOWN MAY DIFFER FROM PROVIDED MODEL AT TIME OF PROCUREMENT AND INSTALLATION.
- REFER TO ELECTRICAL DRAWINGS FOR CONDUIT LAYOUT TO BUILDING CONNECTIONS.

**SCHEDULE:**

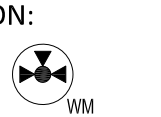
- A. FINISHED CEILING
- B. CABLES AND CONDUIT PER DRAWINGS & SPEC.
- C. MULTI-HEAD CAMERA LOW VOLTAGE POWER AND SIGNAL CABLE
- D. CENTER PENETRATION ON GROUT JOINT



**WIRING DETAIL:**



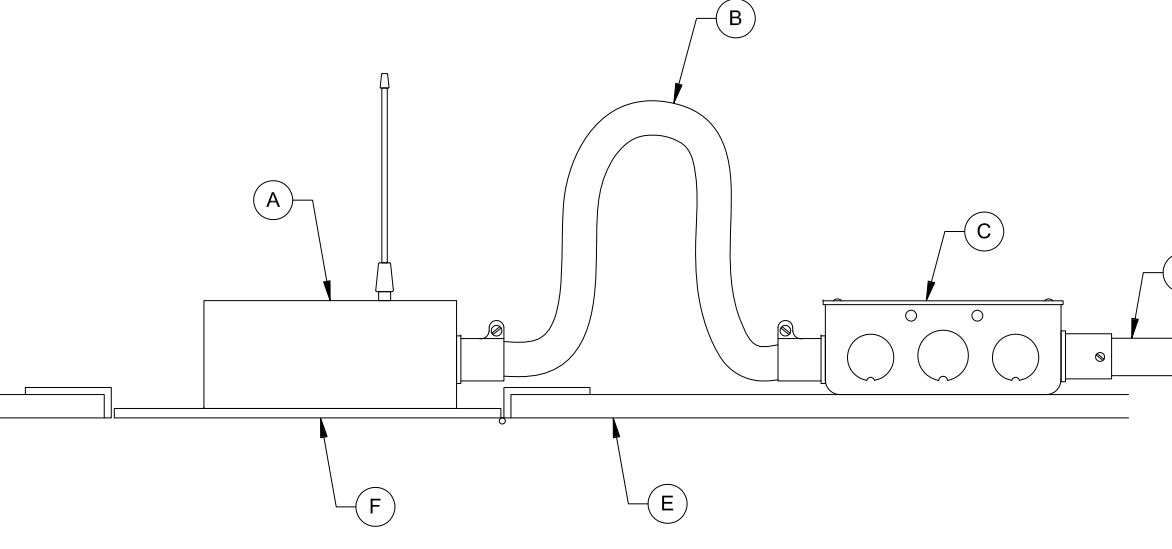
**C04 MULTI-HEAD EXTERIOR PENDENT WALL MOUNTED CAMERA FLOOR PLAN REPRESENTATION:**



© DVS SECURITY CONSULTING & ENGINEERING

**NOTES:**

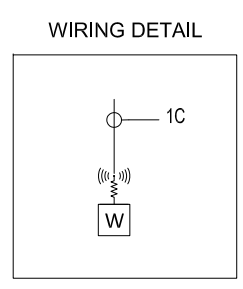
- REFER TO ARCHITECTURAL DRAWINGS FOR WALL/CEILING CONSTRUCTION TO COORDINATE MOUNTING.
- VERIFY FINAL MOUNTING HEIGHT AND/OR LOCATION WITH THE ARCHITECT AND/OR THE CLIENT PRIOR TO ROUGH-IN AND INSTALLATION.
- REFER TO SECURITY SPECIFICATIONS FOR DEVICE REQUIREMENTS AND MOUNTING HARDWARE.
- RDU TO BE MOUNTED AWAY FROM ALL METAL. COORDINATE WITH MANUFACTURER SPECS FOR EXACT DISTANCE.



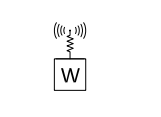
**SCHEDULE:**

- A. REMOTE DATA UNIT (RDU)
- B. 1/2" FLEX WITH WIRING (PROVIDE SLACK)
- C. 4" SQ. PULL BOX WITH COVER PLATE ABOVE ACCESSIBLE CEILING
- D. CABLE(S) AND CONDUIT PER DRAWINGS AND SPECS
- E. FINISHED CEILING PER ARCHITECTURAL SPECS
- F. HINGED ACCESS DOOR IN NON-ACCESSIBLE GWB

**WIRING DETAIL:**



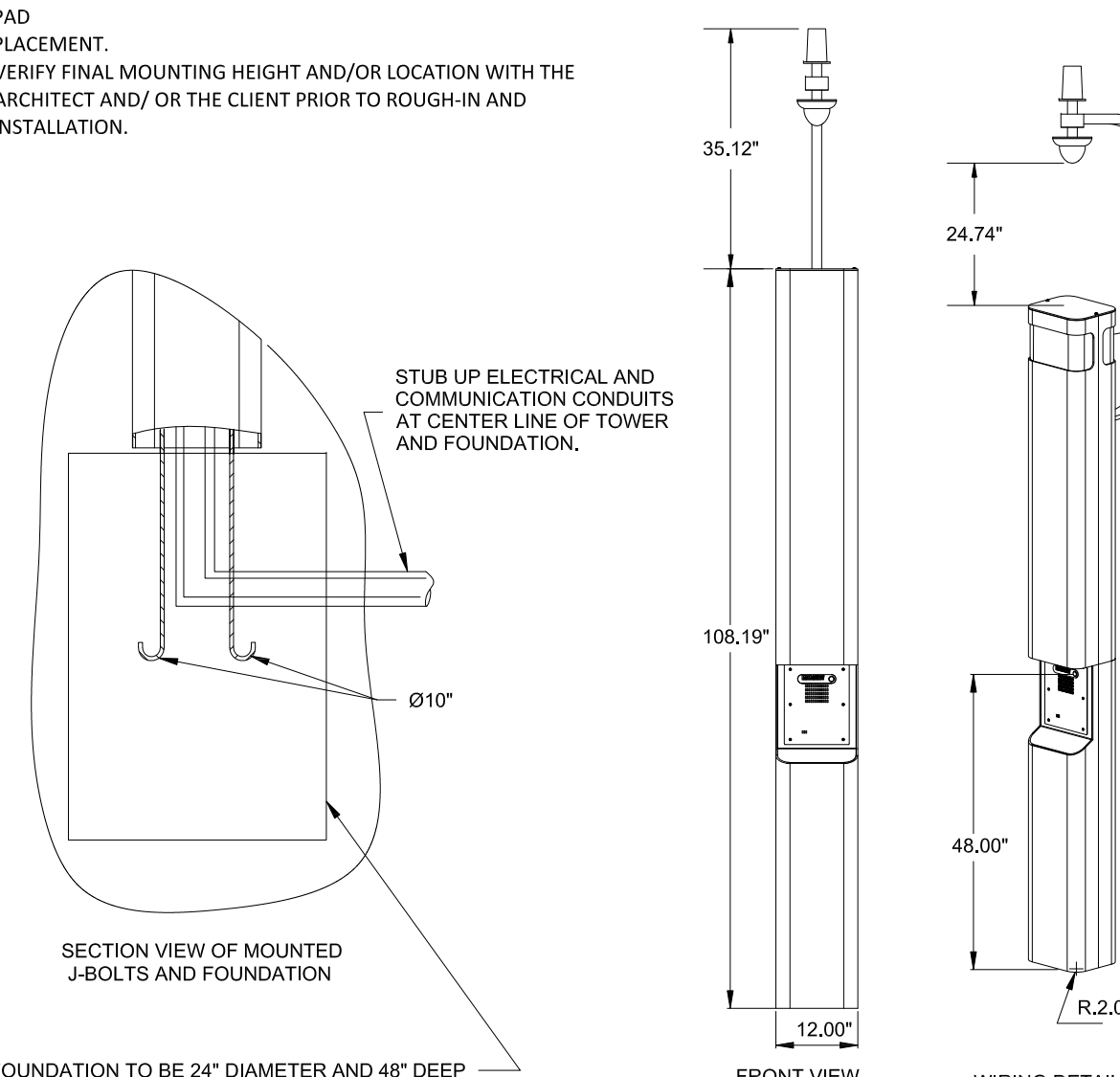
**E04 REMOTE WIRELESS ANTENNA FLOOR PLAN REPRESENTATION:**



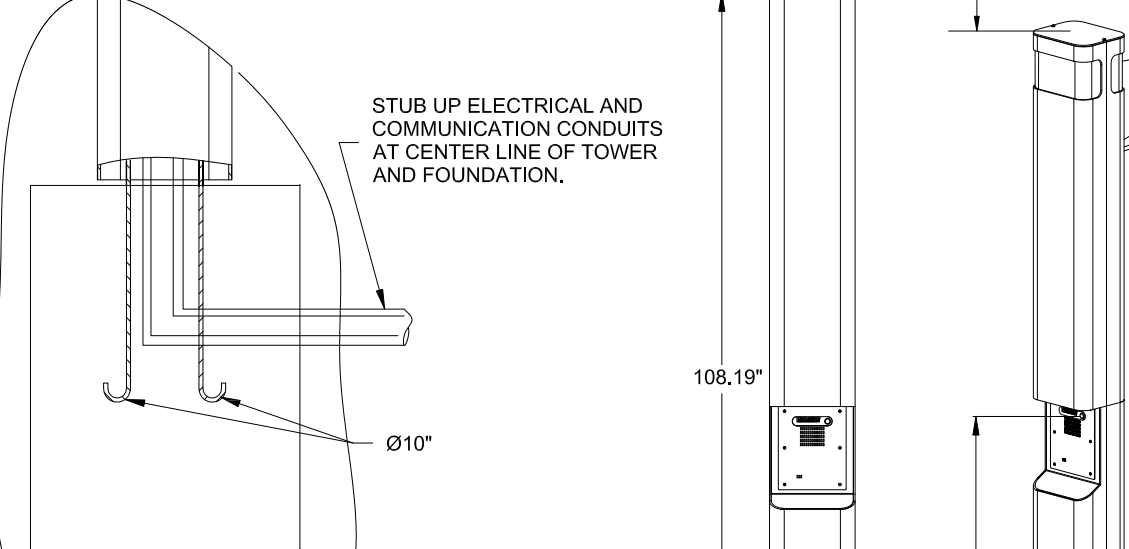
© DVS SECURITY CONSULTING & ENGINEERING

**NOTES:**

- REFER TO ARCHITECTURAL DRAWINGS FOR STANCHION AND CONCRETE PAD PLACEMENT.
- VERIFY FINAL MOUNTING HEIGHT AND/OR LOCATION WITH THE ARCHITECT AND/OR THE CLIENT PRIOR TO ROUGH-IN AND INSTALLATION.

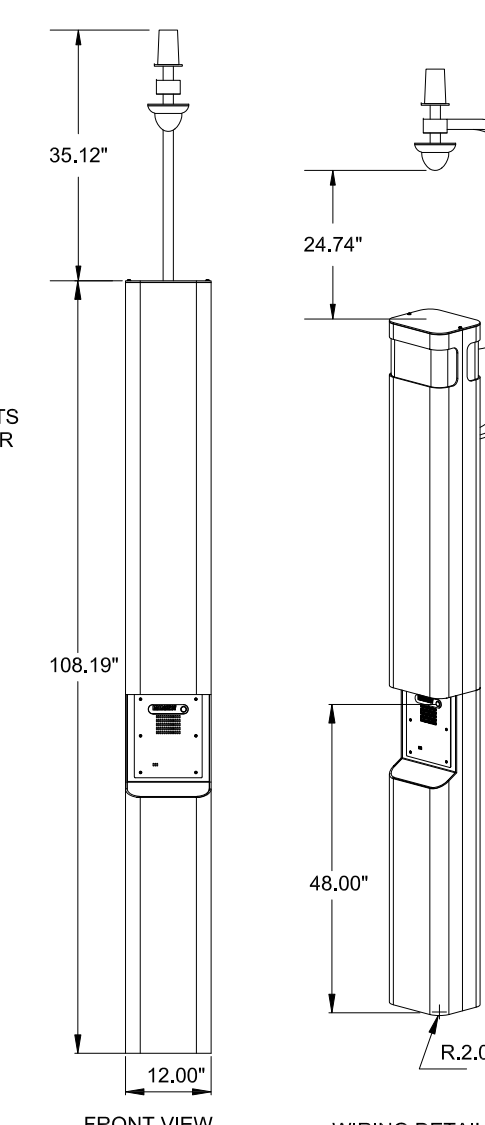


**SECTION VIEW OF MOUNTED J-BOLTS AND FOUNDATION:**

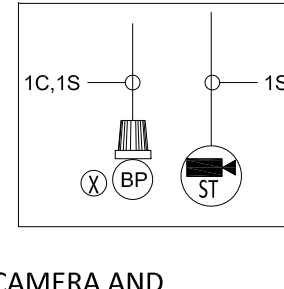


**FOUNDATION TO BE 24" DIAMETER AND 48" DEEP**

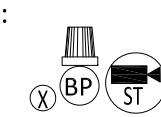
**FRONT VIEW:**



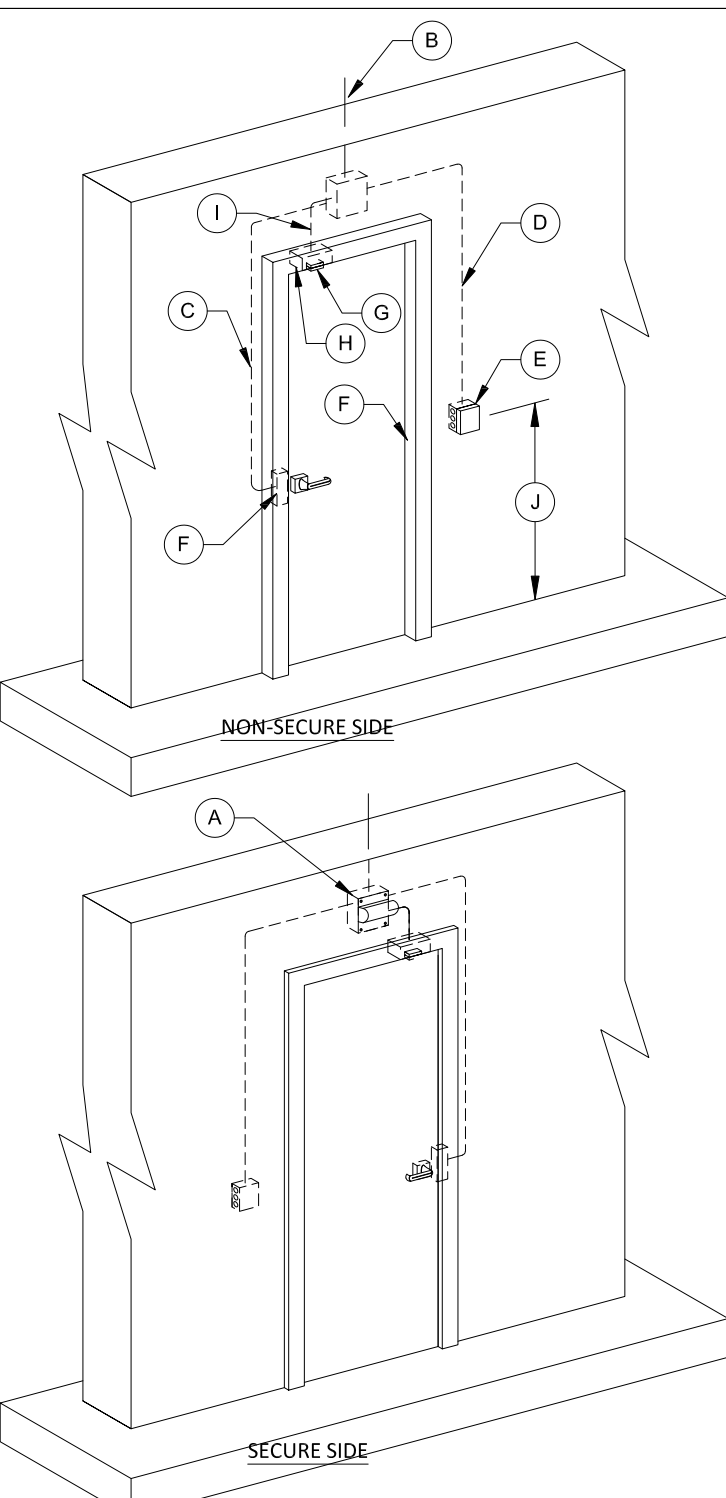
**WIRING DETAIL:**



**E05 FREE STANDING EMERGENCY PHONE WITH MINI DOME CAMERA AND BLUE LIGHT FLOOR PLAN REPRESENTATION:**



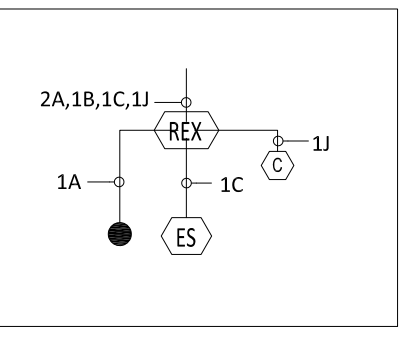
© DVS SECURITY CONSULTING & ENGINEERING



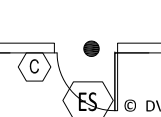
**SCHEDULE:**

- A. 4" OR 4 1/16" SQ. PULLBOX, AN OPTIONAL MOUNTING LOCATION WOULD BE IN CLOSEST ACCESSIBLE CEILING WHERE IN THE J-BOX WOULD JUST HAVE A BLANK PLATE.
- B. CONDUIT AND CABLE PER DRAWINGS
- C. WIRE CHASE/CONDUIT W/ LOCK POWER WIRING
- D. WIRE CHASE/CONDUIT W/ CARD READER WIRING
- E. CARD READER AND BACK BOX
- F. ELECTRIC STRIKE
- G. MAGNETIC CONTACT
- H. DUST BOX BY DIV.8
- I. 1/2" FLEX W/ WIRING
- J. SEE ARCHITECTURAL ELEVATIONS FOR MOUNTING HEIGHT.

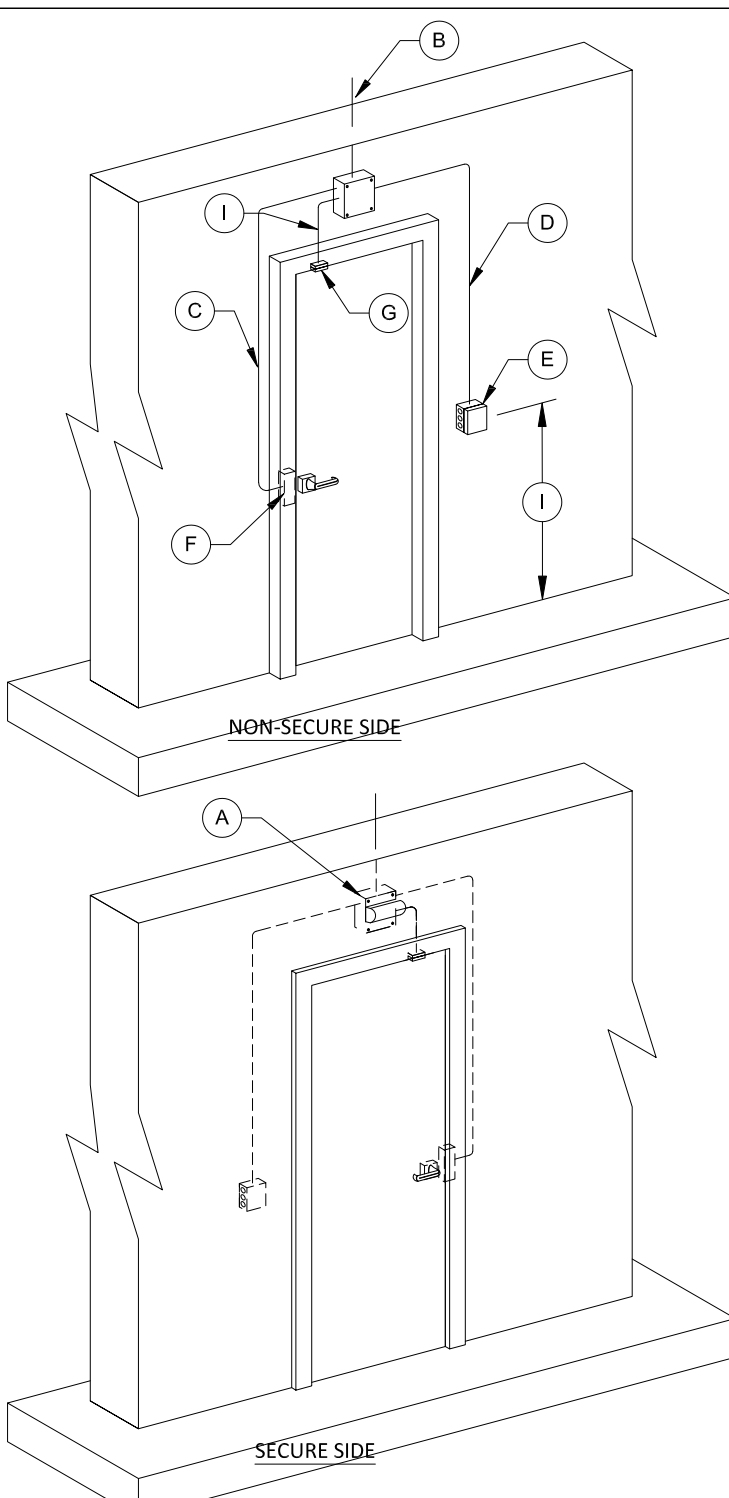
**WIRING DETAIL:**



**B01 CARD READER, ELECTRIC STRIKE AND REX MOTION DETECTOR FLOOR PLAN REPRESENTATION:**



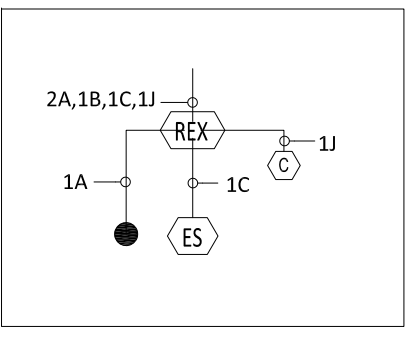
© DVS SECURITY CONSULTING & ENGINEERING



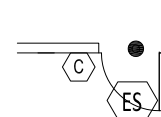
**SCHEDULE:**

- A. 4" OR 4 1/16" SQ. SURFACE MOUNTED PULLBOX, AN OPTIONAL MOUNTING LOCATION WOULD BE IN CLOSEST ACCESSIBLE CEILING WHERE IN THE J-BOX WOULD JUST HAVE A BLANK PLATE.
- B. EXPOSED CONDUIT, AND CABLE PER DRAWINGS
- C. EXPOSED WIRE CHASE/CONDUIT W/ LOCK POWER WIRING
- D. EXPOSED WIRE CHASE/ EXPOSED CONDUIT W/ CARD READER WIRING
- E. SURFACE MOUNTED CARD READER AND BACK BOX
- F. ELECTRIC STRIKE
- G. SURFACE MOUNTED MAGNETIC CONTACT
- H. EXPOSED 1/2" FLEX W/ WIRING
- I. SEE ARCHITECTURAL ELEVATIONS FOR MOUNTING HEIGHT.

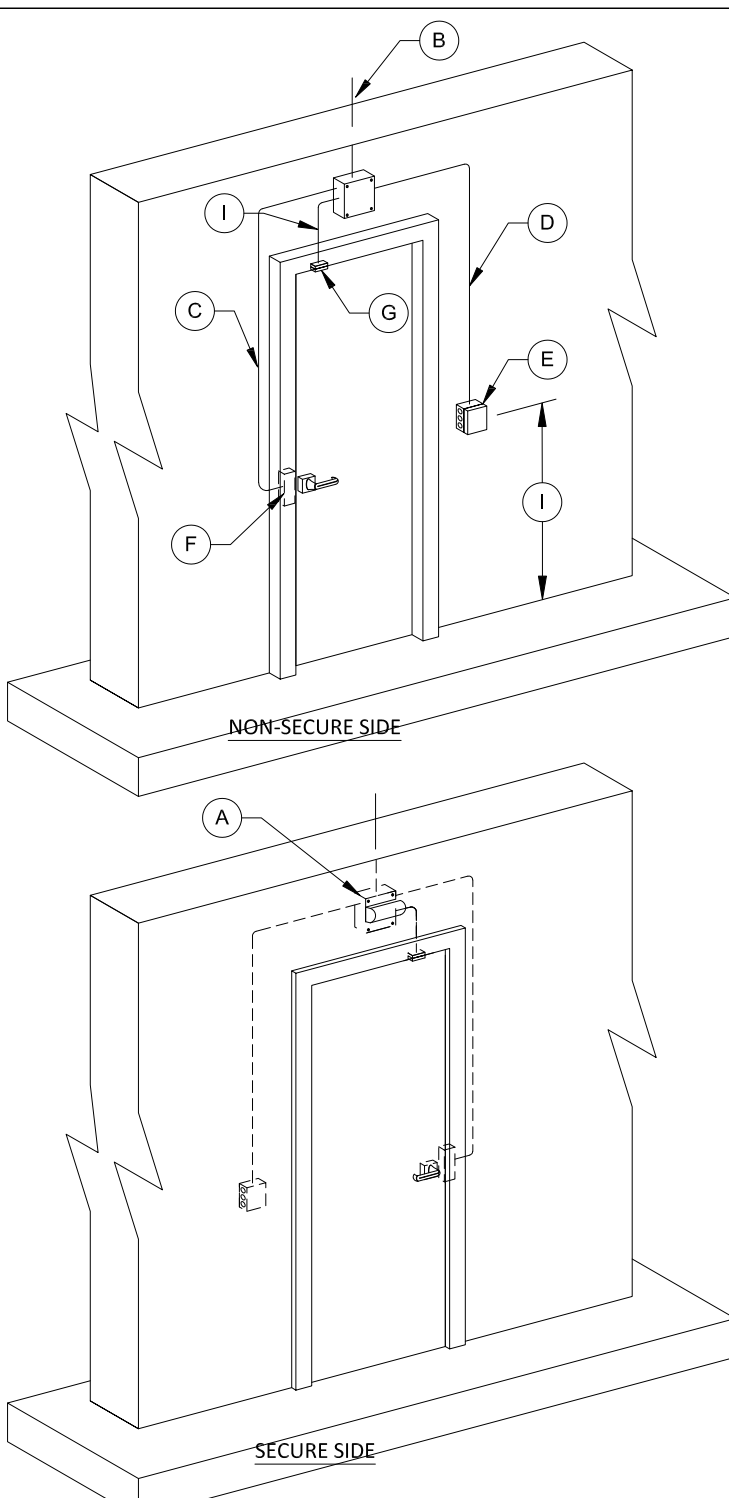
**WIRING DETAIL:**



**B02 SURFACE MOUNTED CARD READER, ELECTRIC STRIKE AND REX MOTION DETECTOR FLOOR PLAN REPRESENTATION:**



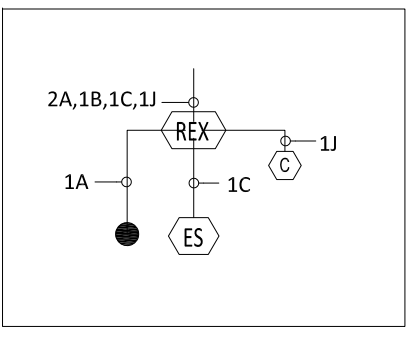
© DVS SECURITY CONSULTING & ENGINEERING



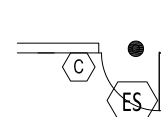
**SCHEDULE:**

- A. 4" OR 4 1/16" SQ. SURFACE MOUNTED PULLBOX, AN OPTIONAL MOUNTING LOCATION WOULD BE IN CLOSEST ACCESSIBLE CEILING WHERE IN THE J-BOX WOULD JUST HAVE A BLANK PLATE.
- B. EXPOSED CONDUIT, AND CABLE PER DRAWINGS
- C. EXPOSED WIRE CHASE/CONDUIT W/ LOCK POWER WIRING
- D. EXPOSED WIRE CHASE/ EXPOSED CONDUIT W/ CARD READER WIRING
- E. SURFACE MOUNTED CARD READER AND BACK BOX
- F. ELECTRIC STRIKE
- G. SURFACE MOUNTED MAGNETIC CONTACT
- H. EXPOSED 1/2" FLEX W/ WIRING
- I. SEE ARCHITECTURAL ELEVATIONS FOR MOUNTING HEIGHT.

**WIRING DETAIL:**

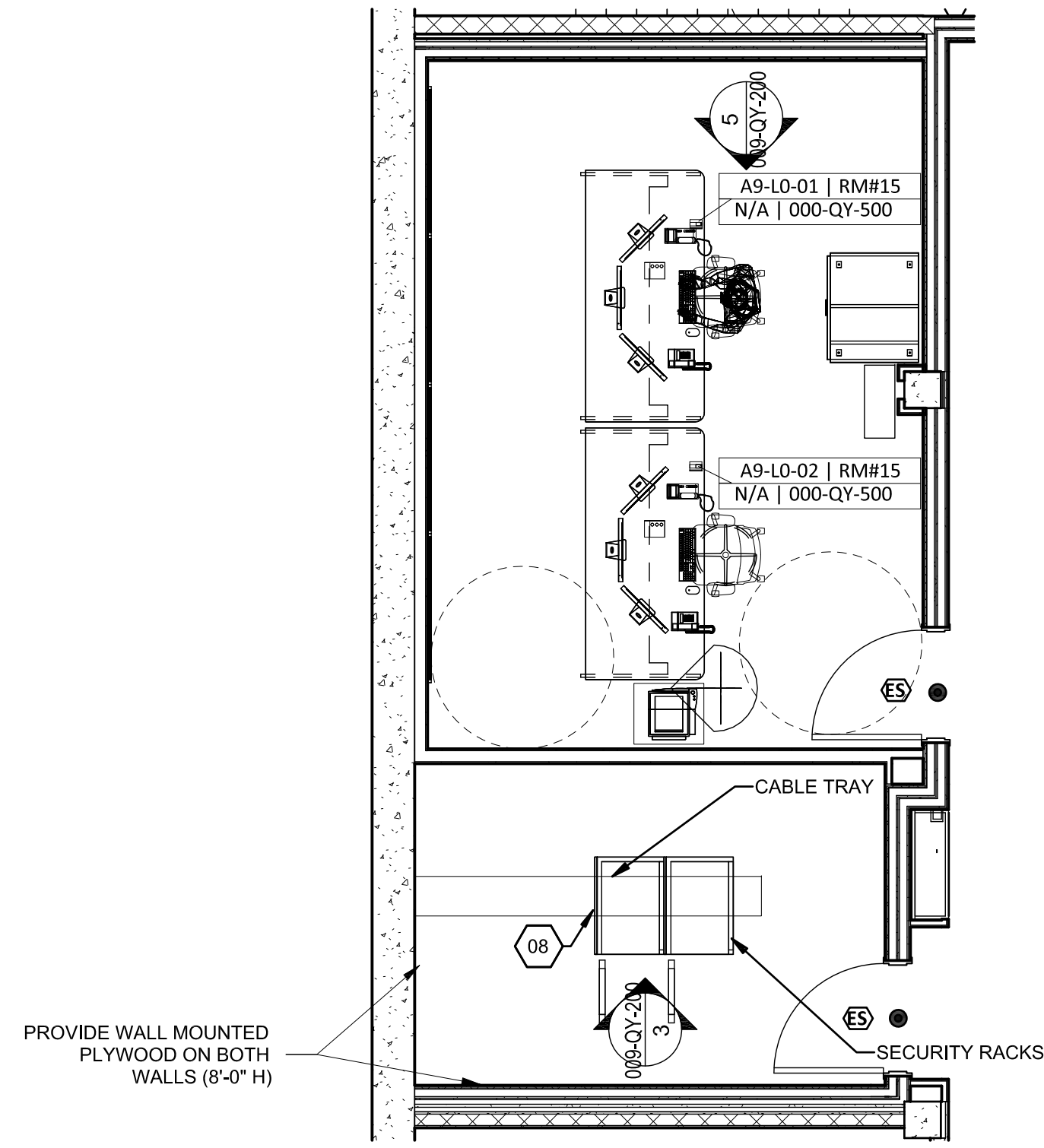


**B02 SURFACE MOUNTED CARD READER, ELECTRIC STRIKE AND REX MOTION DETECTOR FLOOR PLAN REPRESENTATION:**

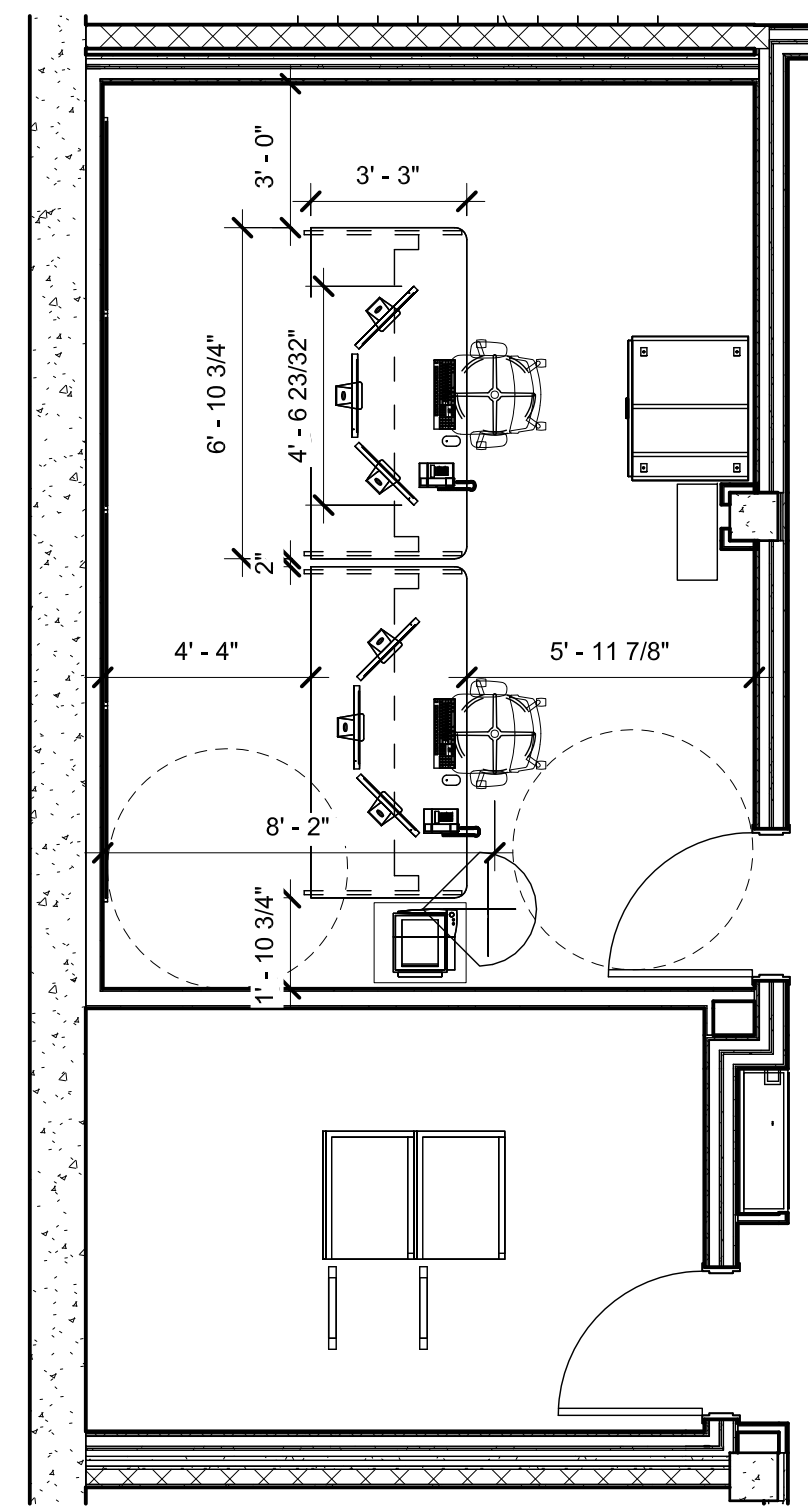


© DVS SECURITY CONSULTING & ENGINEERING

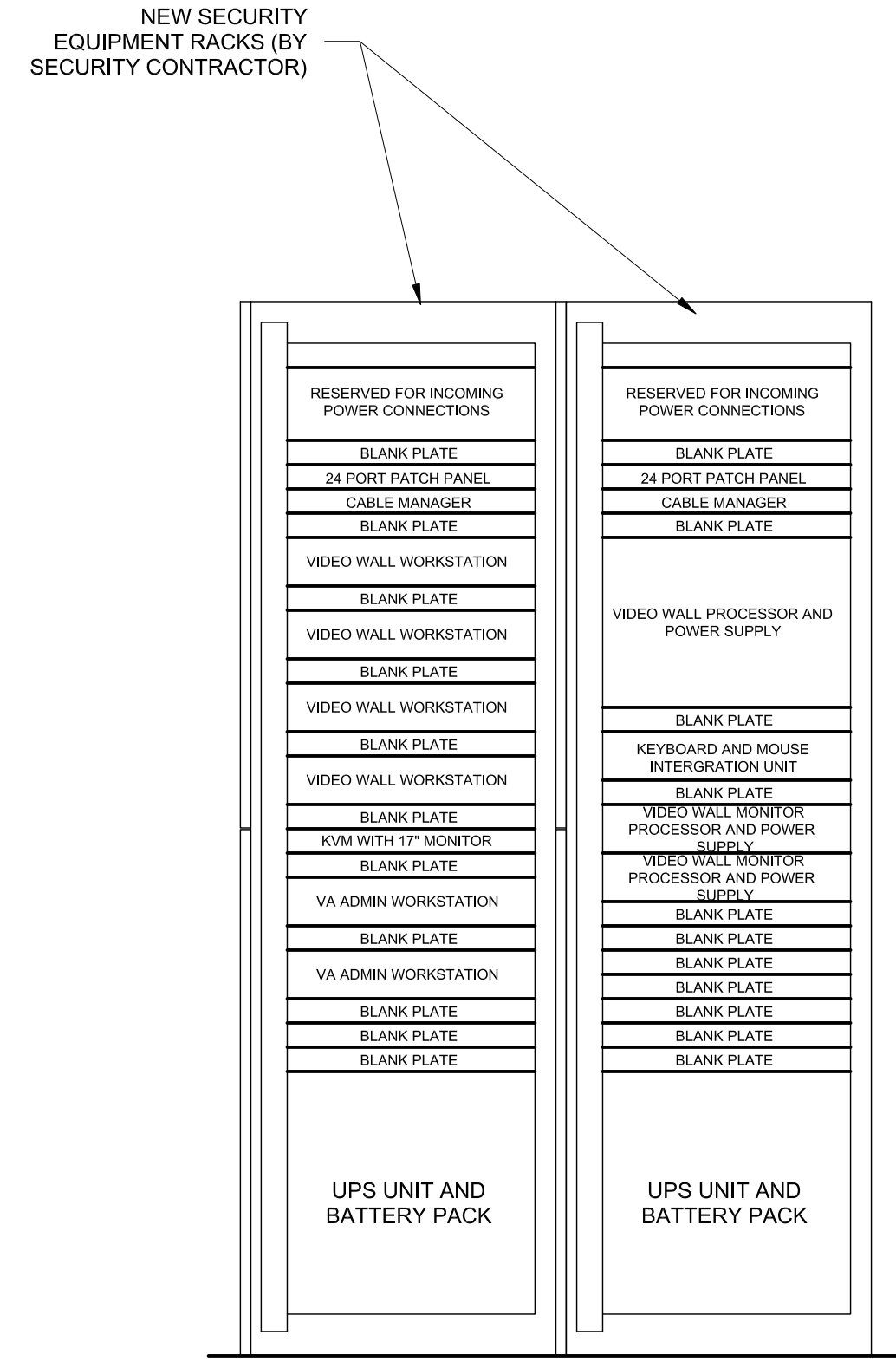




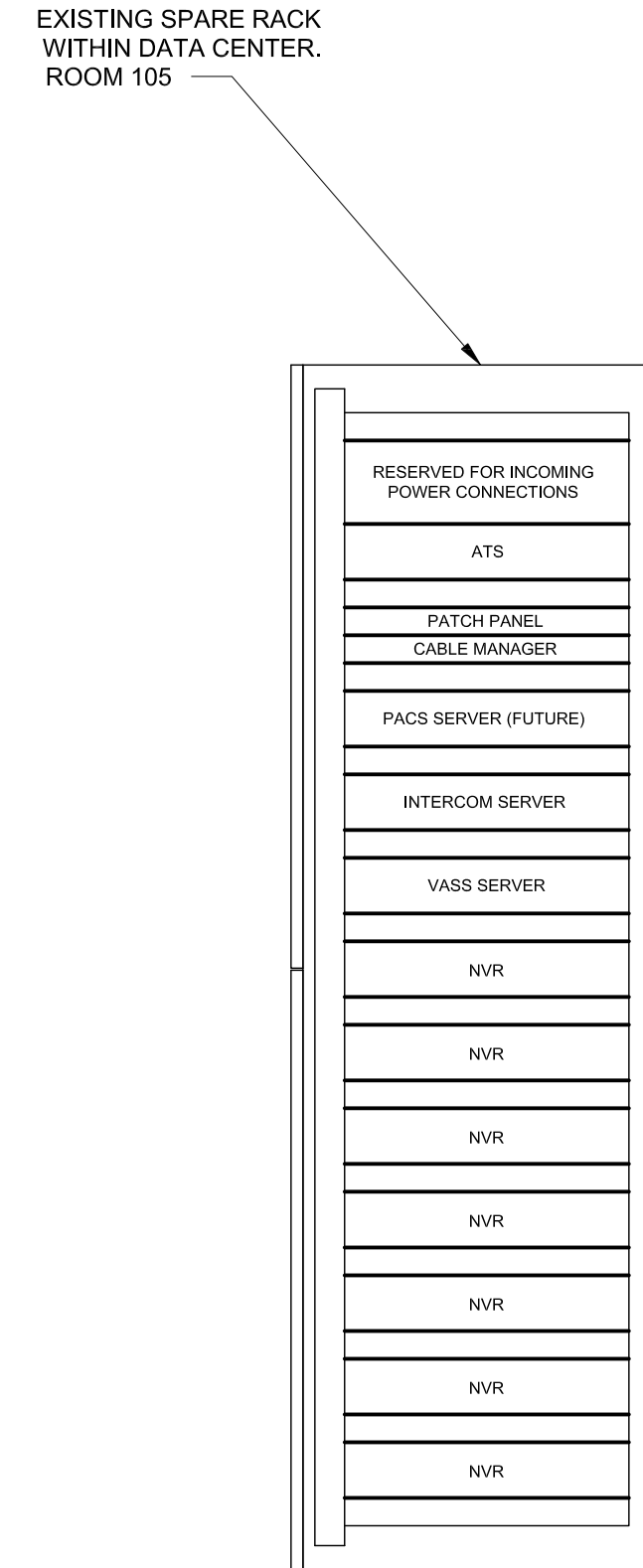
① Security SCR Plan  
1/4" = 1'-0"



② SCR Console Dimensions  
1/4" = 1'-0"

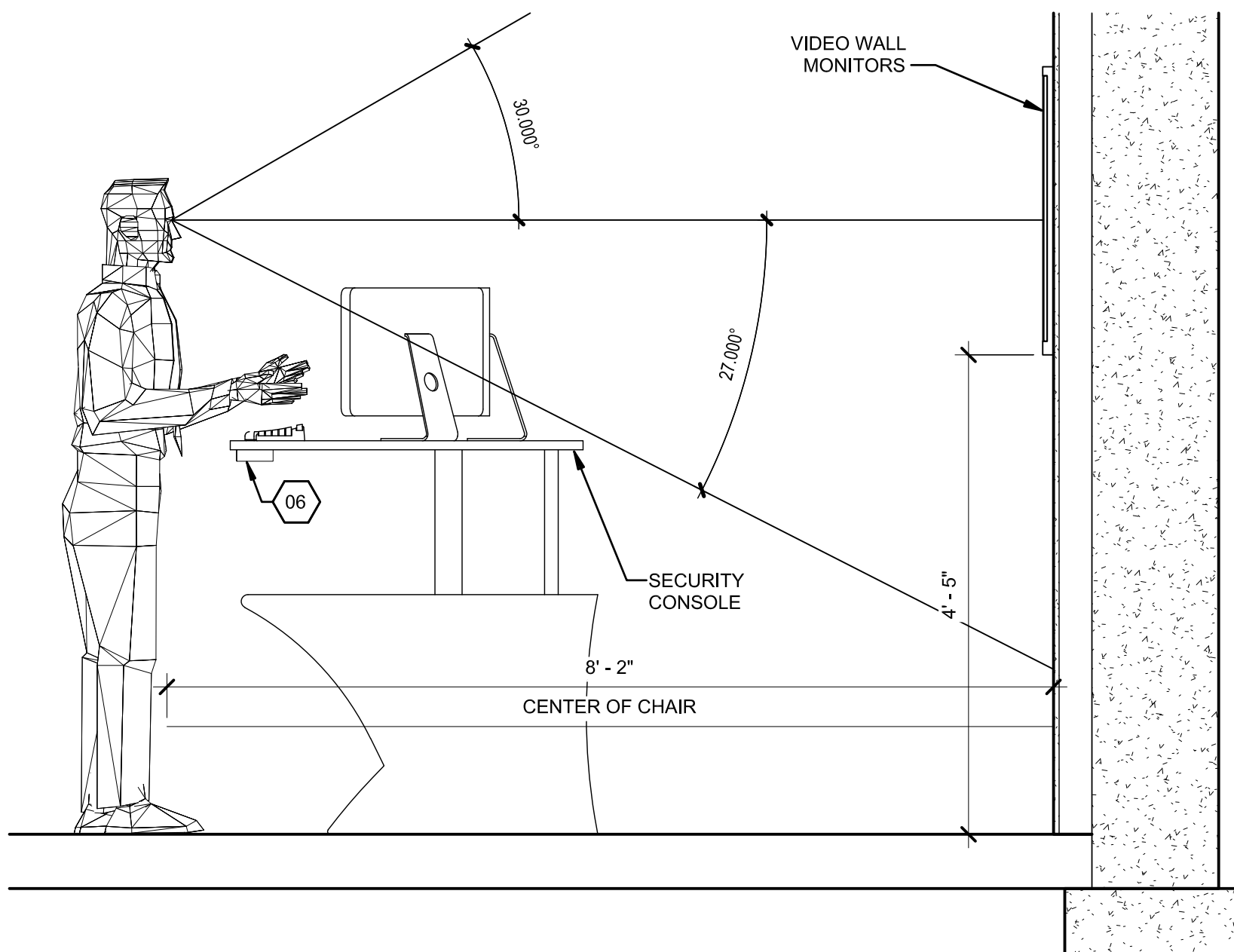


③ Security Rack Elevation Layout  
1" = 1'-0"

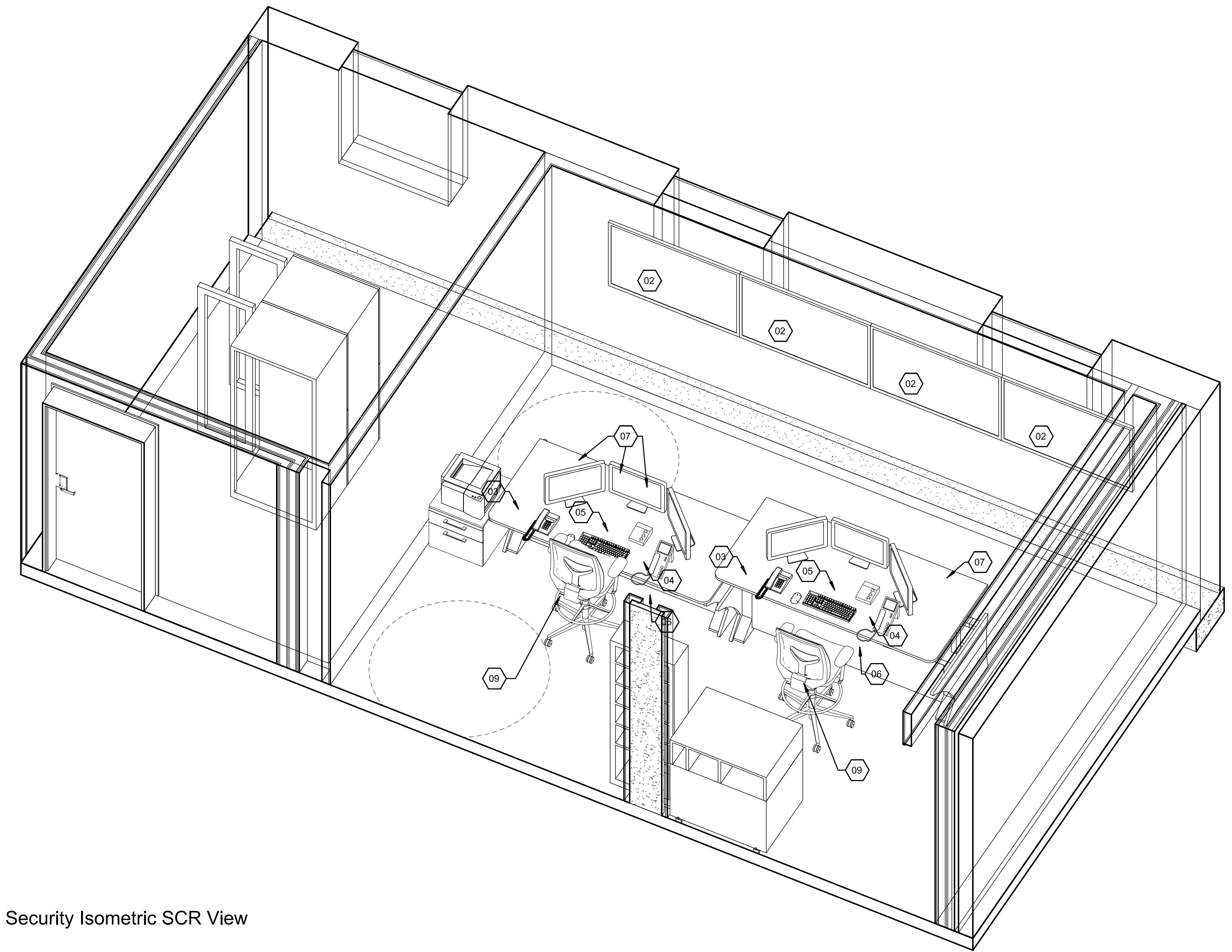


④ Security Rack Building 4 Data Center  
1" = 1'-0"

- # SCR Keynotes
- 02 55" Monitor
  - 03 Standard Phone
  - 05 Lockdown Pushbutton (Future - not in scope)
  - 06 Duress Button
  - 07 Sit Stand Security Console
  - 08 Rack Unit
  - 09 Security Console Chairs (Provided by VA)



⑤ SCR Elevation View  
3/4" = 1'-0"



⑥ Security Isometric SCR View

**CONSTRUCTION SET**

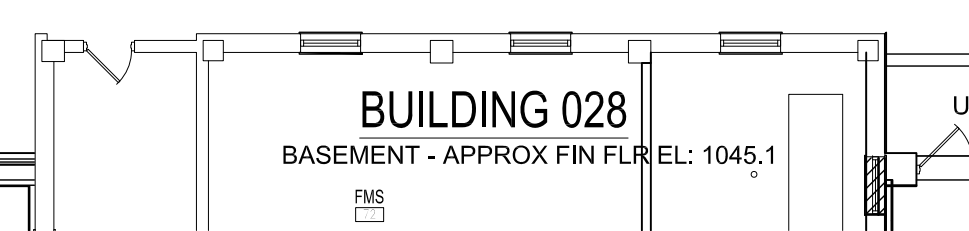
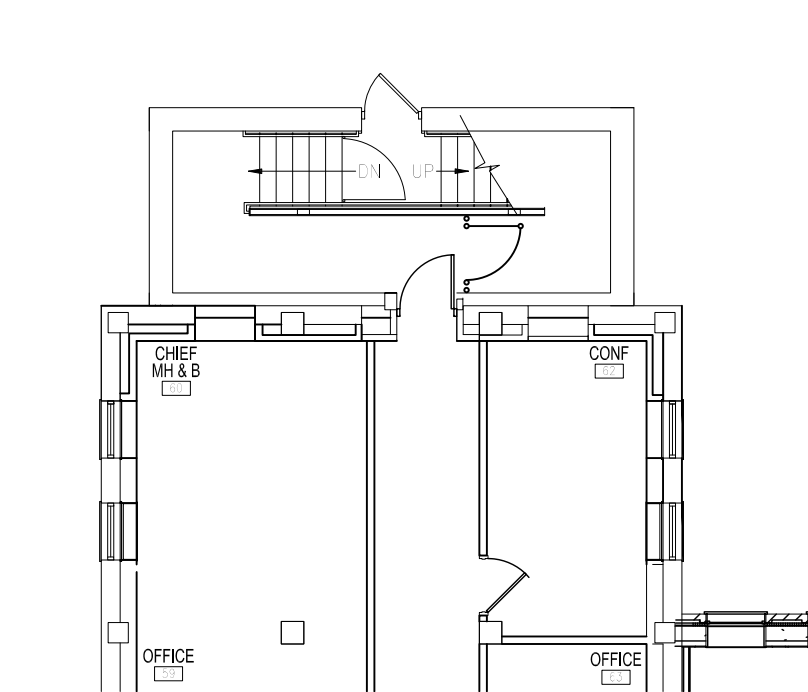
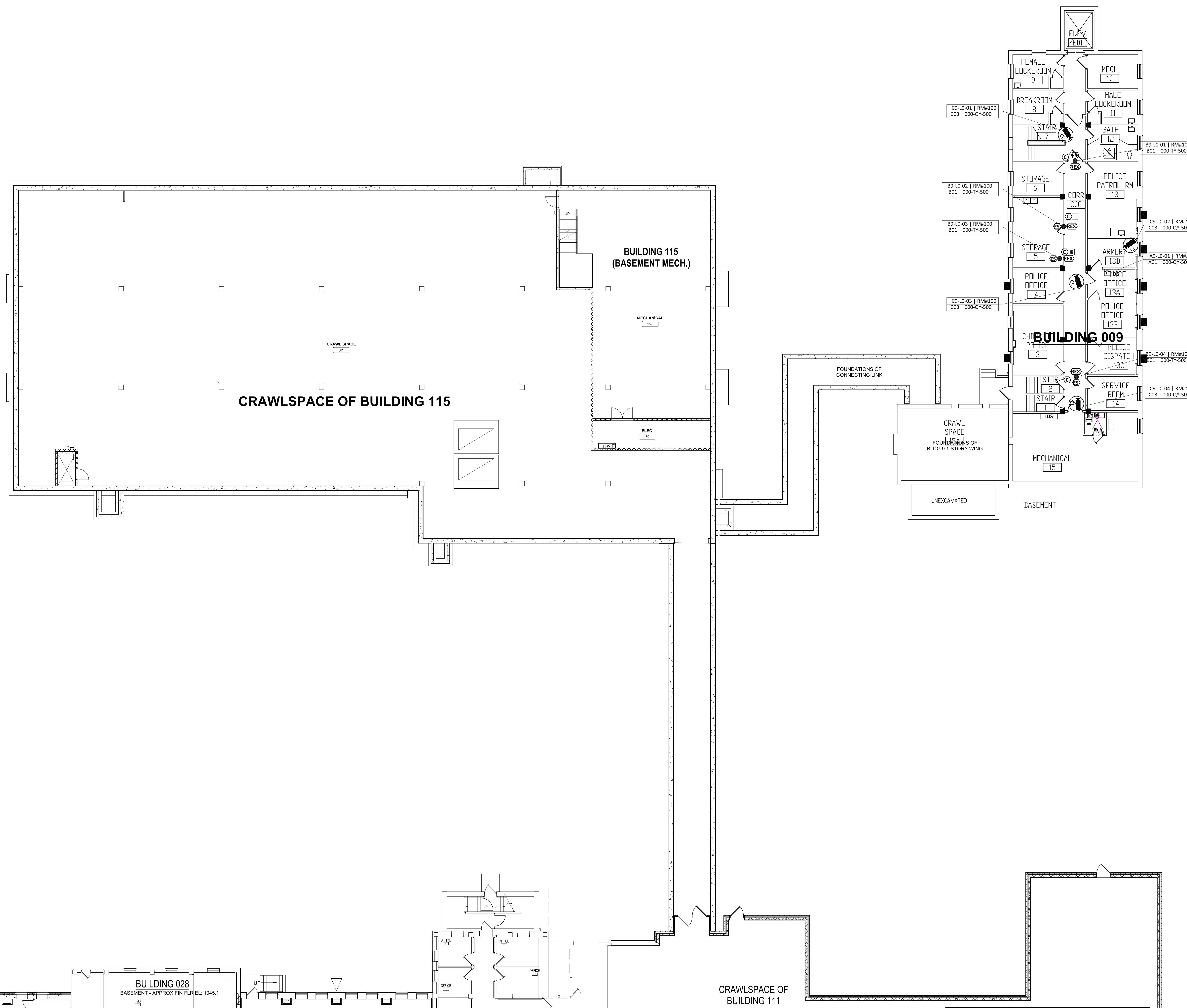
NO.	REVISION	DATE

APPROVED: PROJECT COORDINATOR	DATE:	APPROVED: SERVICE LINE DIRECTOR	DATE:	APPROVED: INFECTION CONTROL NURSE	DATE:	DRAWING TITLE <b>BUILDING 09 BASEMENT SECURITY COMMAND CENTER LAYOUT</b>	PROJECT TITLE	
		APPROVED: DEMS COORDINATOR	DATE:	APPROVED: PATIENT SAFETY	DATE:	PROJECT NO.	PLANT SCALE As Indicated	
		APPROVED: PROJECTS SECTION MANAGER	DATE:	APPROVED: CHIEF OF POLICE	DATE:	APPROVED: CHIEF OF STAFF	DATE:	
		APPROVED: DIRECTOR FMS	DATE:	APPROVED: SAFETY MANAGER	DATE:	APPROVED: HEALTH CARE SYSTEM DIRECTOR	DATE:	
BUILDING NO.							CHECKED BY JZ	DRAWN CM
LOCATION VA MEDICAL CENTER ST. CLOUD, MN 56303							PROJECT NO. 009-QY-200	DATE 01/20/20



U.S. Department of Veterans Affairs  
Veterans Health Administration  
St. Cloud VA Health Care System





1 Quad 01 - 00 Security  
3/32" = 1'-0"

**CONSTRUCTION SET**

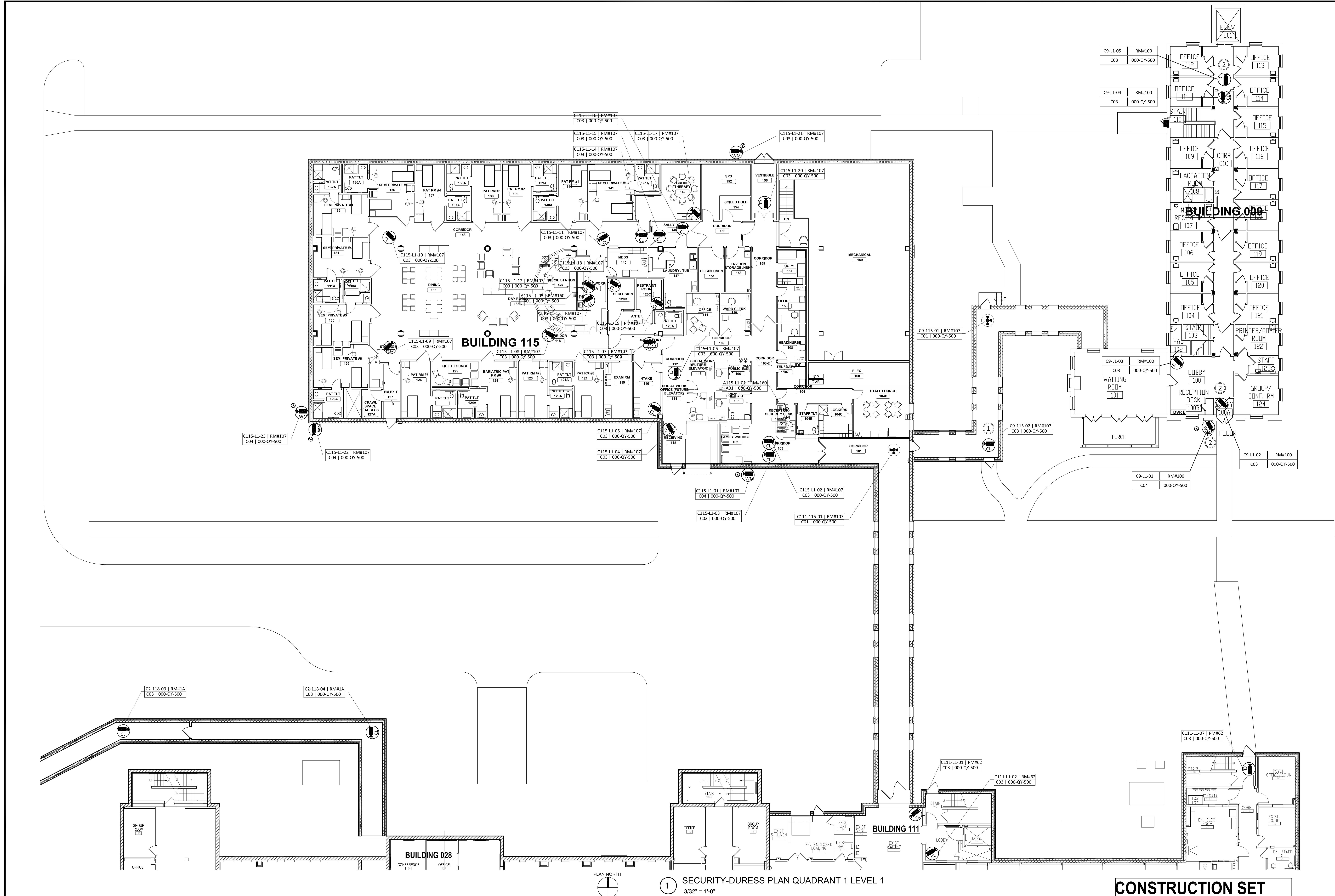
6/12/2020 10:56:56 AM

NO	REVISION	DATE
1	CONSTRUCTION SET	01/20/20

APPROVED: PROJECT COORDINATOR	DATE:	APPROVED: SERVICE LINE DIRECTOR	DATE:	APPROVED: INFECTION CONTROL NURSE	DATE:	DRAWING: SECURITY-DURESS PLAN QUADRANT 1 LEVEL 00
APPROVED: GEMS COORDINATOR	DATE:	APPROVED: PATIENT SAFETY DIRECTOR	DATE:	APPROVED: ASSOCIATE HEALTH CARE SYSTEM DIRECTOR	DATE:	PROJECT TITLE:
APPROVED: PROJECTS SECTION MANAGER	DATE:	APPROVED: CHIEF OF POLICE	DATE:	APPROVED: CHIEF OF STAFF	DATE:	BUILDING NO.:
APPROVED: DIRECTOR PMS	DATE:	APPROVED: SAFETY MANAGER	DATE:	APPROVED: HEALTH CARE SYSTEM DIRECTOR	DATE:	CHECKED BY: JZ
						DRAWN CM
						PROJECT NO.:
						LOCATION: VA MEDICAL CENTER ST. CLOUD, MN 56303
						DRAWINGS: 001-QY-100 DWG. 48 OF 81

**U.S. Department of Veterans Affairs**  
Veterans Health Administration  
St. Cloud VA Health Care System





NO	REVISION	DATE
1	CONSTRUCTION SET	01/20/20

APPROVED: PROJECT COORDINATOR	DATE:	APPROVED: SERVICE LINE DIRECTOR	DATE:	APPROVED: INFECTION CONTROL NURSE	DATE:	DRAWING TITLE	PROJECT TITLE
		APPROVED: GENIS COORDINATOR	DATE:	APPROVED: PATIENT SAFETY	DATE:	SECURITY-DURESS PLAN QUADRANT 1 LEVEL 1	
		APPROVED: PROJECTS SECTION MANAGER	DATE:	APPROVED: CHIEF OF POLICE	DATE:	APPROVED: CHIEF OF STAFF	DATE:
		APPROVED: DIRECTOR FMS	DATE:	APPROVED: SAFETY MANAGER	DATE:	APPROVED: HEALTH CARE SYSTEM DIRECTOR	DATE:

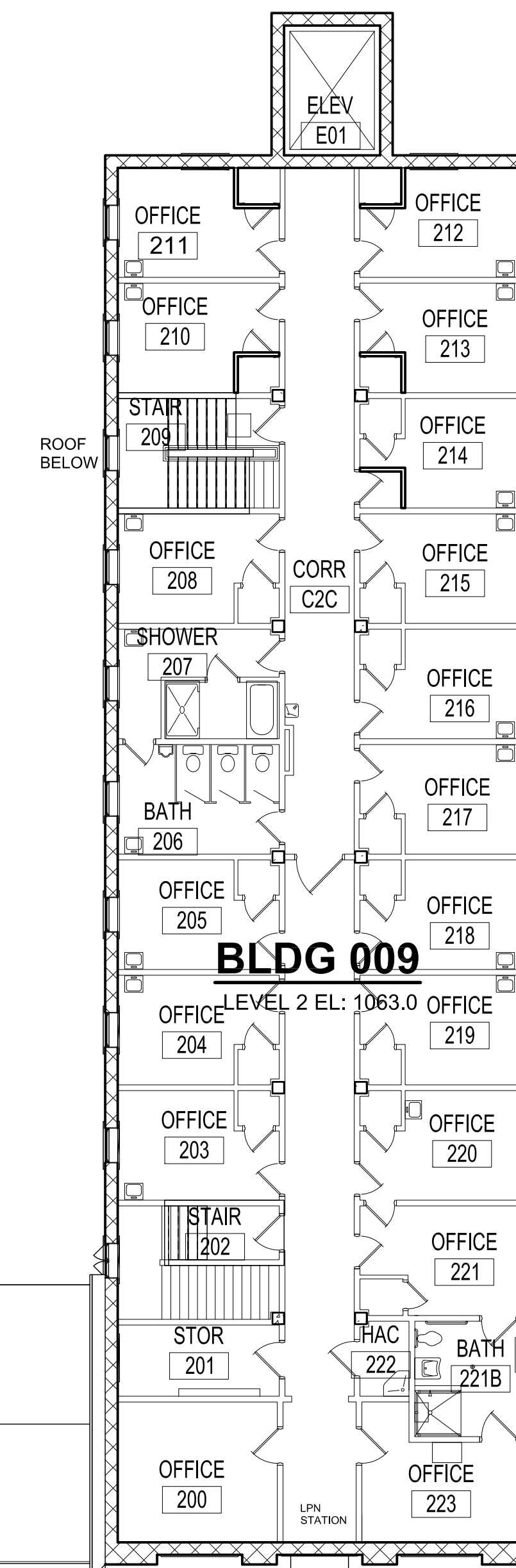
PLUT SCALE	3/32" = 1'-0"
PROJECT NO.	
BUILDING NO.	
CHECKED BY	JZ
DRAWN BY	CM
DATE	
LOCATION	VA MEDICAL CENTER ST. CLOUD, MN 56303
DWG NO.	001-QY-101 49 OF 81

**CONSTRUCTION SET**

**U.S. Department of Veterans Affairs**  
Veterans Health Administration  
St. Cloud VA Health Care System



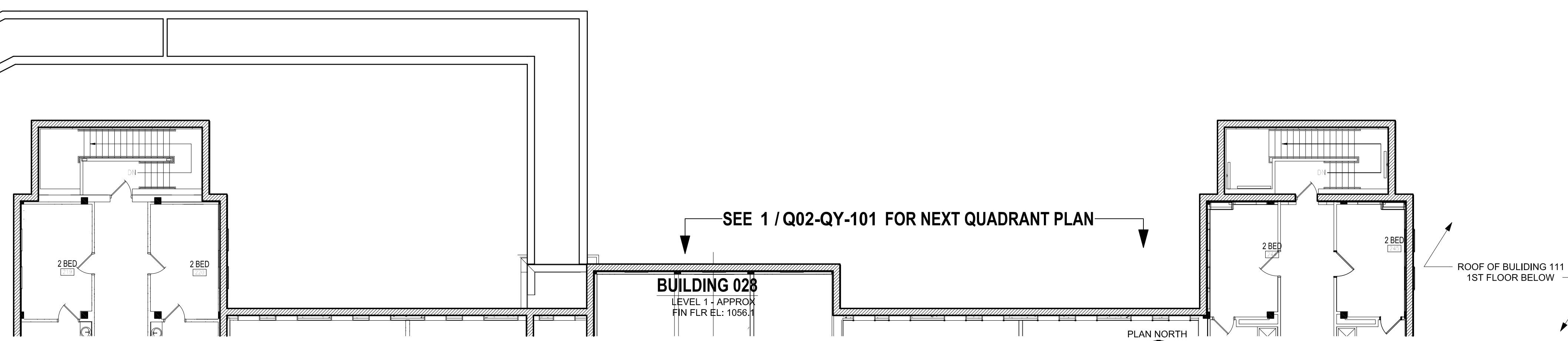
**BUILDING 115**  
ATTIC LEVEL - APPROX EL: 1060.3(?)



**BLDG 009**

LEVEL 2 EL: 1063.0

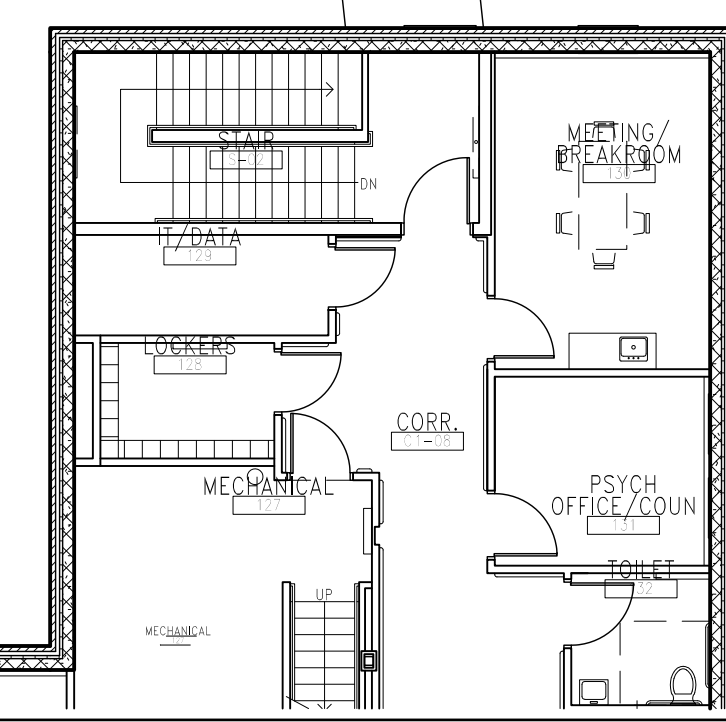
SEE 1 / Q02-QY-101 FOR NEXT QUADRANT PLAN



**BUILDING 028**  
LEVEL 1 - APPROX  
FIN FLR EL: 1056.1

**BUILDING 111**  
LEVEL 2 - ASSUMED  
FLR EL: 1057.1(7)

SECURITY-DURESS PLAN QUADRANT 1 LEVEL 2  
3/32" = 1'-0"



**CONSTRUCTION SET**

NO	REVISION	DATE
1	CONSTRUCTION SET	01/20/20

APPROVED:	DATE:	APPROVED:	DATE:	APPROVED:	DATE:	APPROVED:	DATE:
PROJECT COORDINATOR		SERVICE LINE DIRECTOR		INFECTION CONTROL NURSE		HEALTH CARE SYSTEM DIRECTOR	
GEMS COORDINATOR		PATIENT SAFETY		CHIEF OF STAFF		HEALTH CARE SYSTEM DIRECTOR	
PROJECTS SECTION MANAGER		CHIEF OF POLICE		SAFETY MANAGER			
DIRECTOR PMS							

DRAWING TITLE:	PROJECT TITLE:	PLOT SCALE:
SECURITY-DURESS PLAN QUADRANT 1 LEVEL 2		3/32" = 1'-0"
BUILDING NO:	CHECKED BY:	DESIGN CM:
	JZ	
LOCATION:		
VA MEDICAL CENTER		
ST. CLOUD, MN 56303		

NO	REVISION	DATE
1	CONSTRUCTION SET	01/20/20

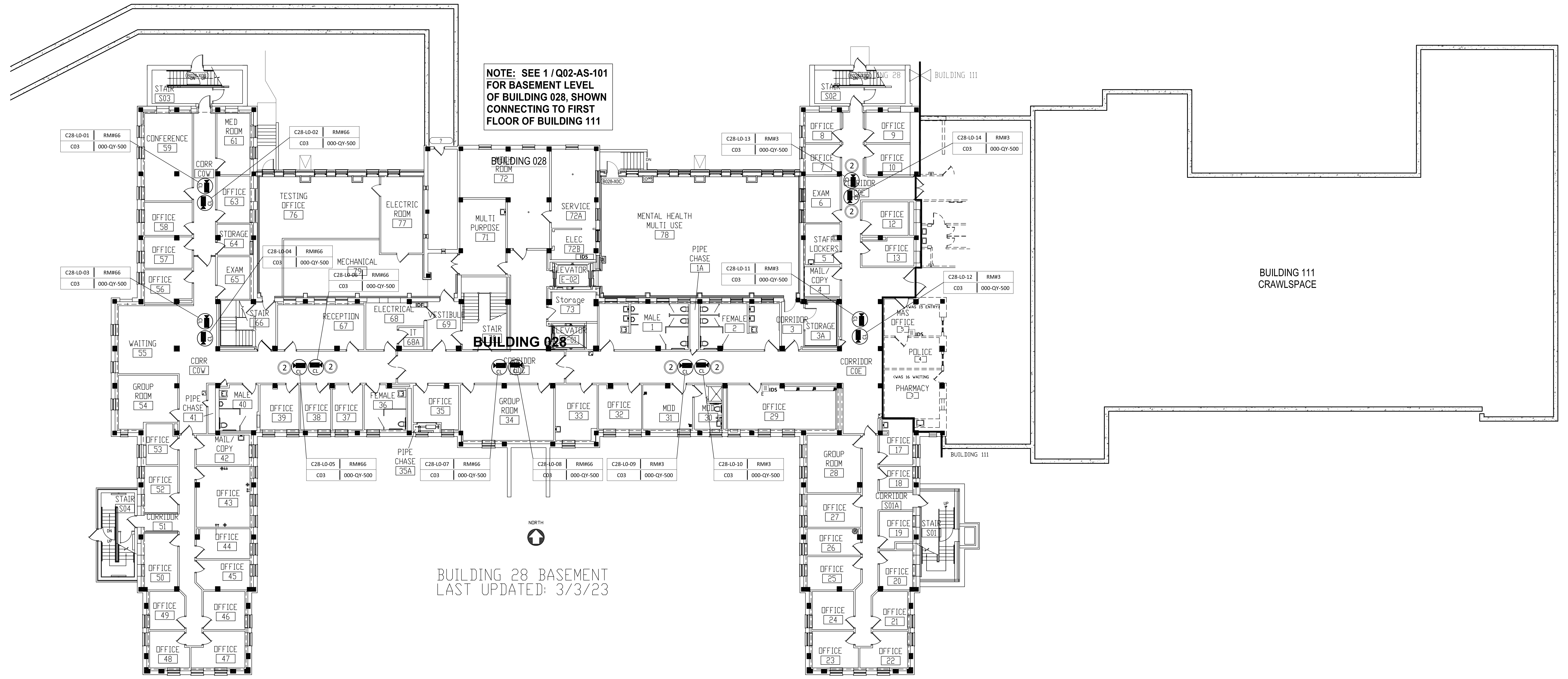


U.S. Department  
of Veterans Affairs  
Veterans Health  
Administration  
St. Cloud VA  
Health Care System

PROJECT NO: Q01-QY-102  
DWG: 50 OF 81



**NOTE: SEE 1 / Q02-AS-101 FOR BASEMENT LEVEL OF BUILDING 028, SHOWN CONNECTING TO FIRST FLOOR OF BUILDING 111**



BUILDING 28 BASEMENT  
LAST UPDATED: 3/3/23

PLAN NORTH  
1 Quad 02 - L0 Security  
3/32" = 1'-0"

**CONSTRUCTION SET**

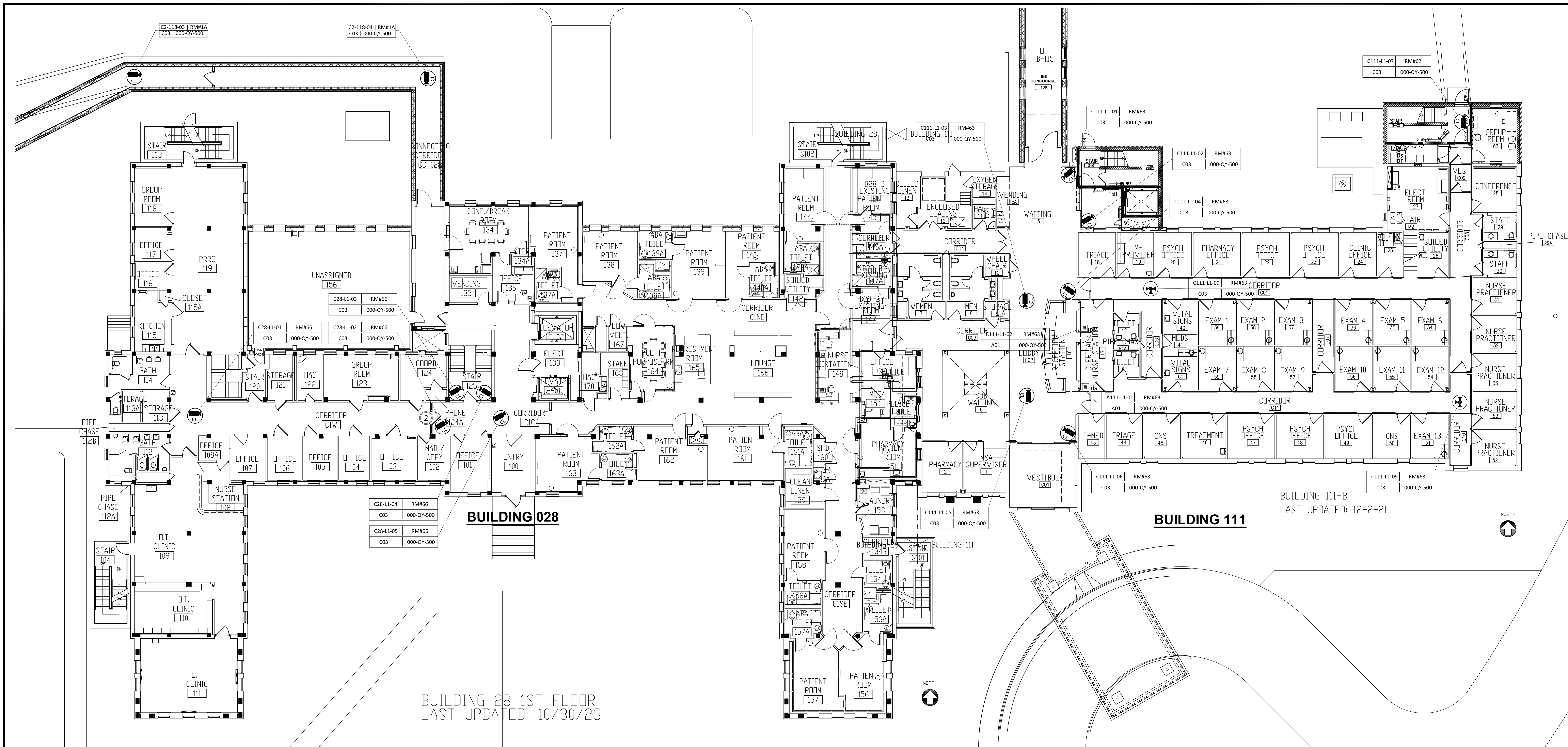
NO	REVISION	DATE
1	CONSTRUCTION SET	01/20/20

APPROVED: PROJECT COORDINATOR	DATE:	APPROVED: SERVICE LINE DIRECTOR	DATE:	APPROVED: INFECTION CONTROL NURSE	DATE:	DRAWING: SECURITY-DURESS PLAN QUADRANT 2 LEVEL 0	PROJECT TITLE:
APPROVED: GEMS COORDINATOR	DATE:	APPROVED: PATIENT SAFETY	DATE:	APPROVED: ASSOCIATE HEALTH CARE SYSTEM DIRECTOR	DATE:	BUILDING NO.:	CHECKED BY: JZ
APPROVED: PROJECTS SECTION MANAGER	DATE:	APPROVED: CHIEF OF POLICE	DATE:	APPROVED: CHIEF OF STAFF	DATE:	DRAWN CM:	DRAWING NO.:
APPROVED: DIRECTOR PMS	DATE:	APPROVED: SAFETY MANAGER	DATE:	APPROVED: HEALTH CARE SYSTEM DIRECTOR	DATE:	LOCATION: VA MEDICAL CENTER ST. CLOUD, MN 56303	DWG. 81 OF 81

**VA**

U.S. Department of Veterans Affairs  
Veterans Health Administration  
St. Cloud VA Health Care System





PLAN NORTH  
 ① Quad 02 - L1 Security  
 3/32" = 1'-0"

**CONSTRUCTION SET**

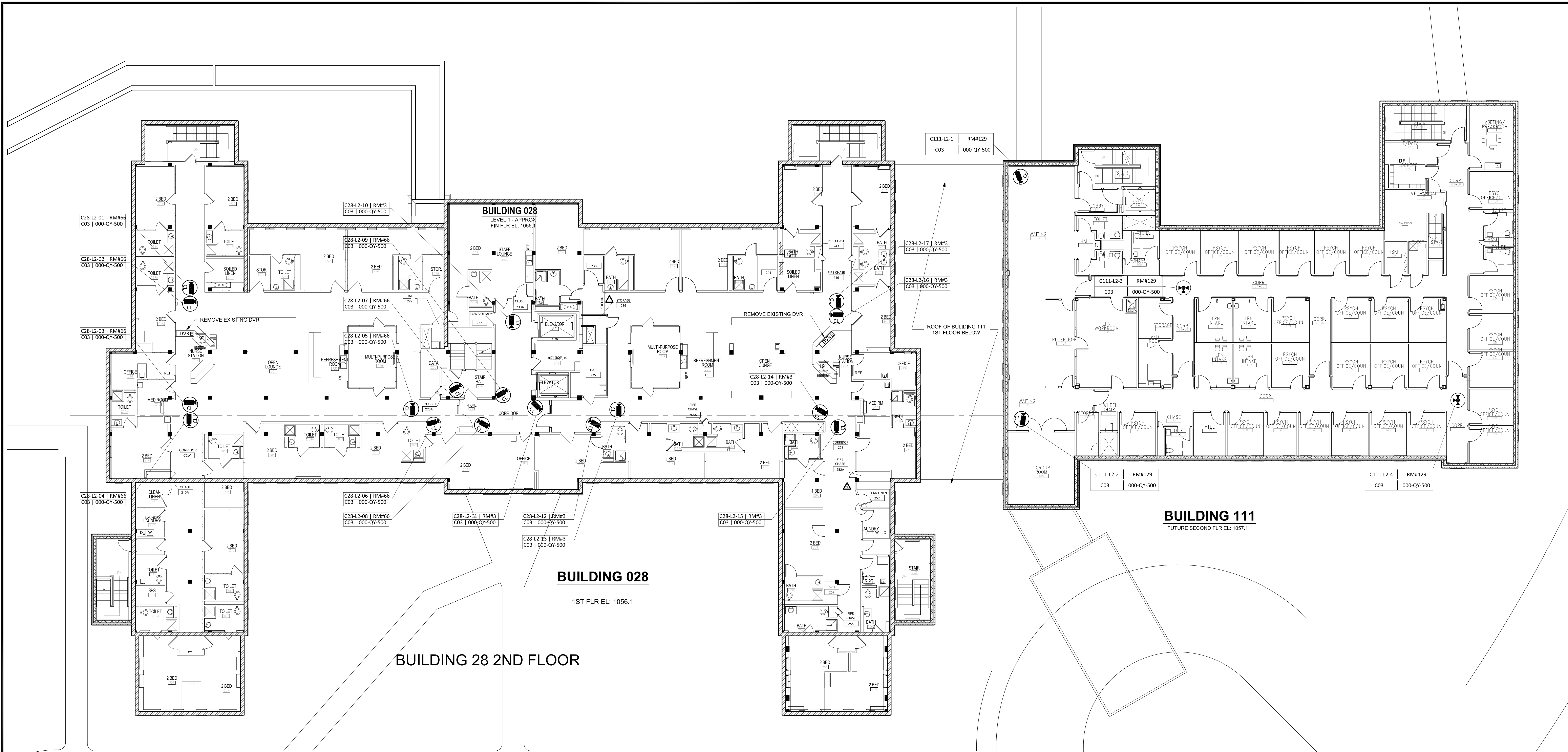
NO	REVISION	DATE

APPROVED: PROJECT COORDINATOR	DATE:	APPROVED: SERVICE LINE DIRECTOR	DATE:	APPROVED: INFECTION CONTROL NURSE	DATE:	DRAWING TITLE
APPROVED: GEMS COORDINATOR	DATE:	APPROVED: PATIENT SAFETY DIRECTOR	DATE:	APPROVED: CHIEF OF STAFF	DATE:	PROJECT NO.
APPROVED: PROJECTS SECTION MANAGER	DATE:	APPROVED: CHIEF OF POLICE	DATE:	APPROVED: HEALTH CARE SYSTEM DIRECTOR	DATE:	BUILDING NO.
APPROVED: DIRECTOR PMS	DATE:	APPROVED: SAFETY MANAGER	DATE:	LOCATION	DATE:	CHECKED BY
				ST. CLOUD, MN 56303		DRAWN CM

PROJECT TITLE	SECURITY-DURESS PLAN QUADRANT 2 LEVEL 1	SCALE	1/8" = 1'-0"
BUILDING NO.	002-QY-101	DRAWING NO.	DWG. 02 OF 81
LOCATION	VA MEDICAL CENTER ST. CLOUD, MN 56303	DATE	01/20/20







BUILDING 28 2ND FLOOR

**BUILDING 028**

1ST FLR EL: 1056.1

**BUILDING 111**

FUTURE SECOND FLR EL: 1057.1



1 SECURITY PLAN QUADRANT 2 - LEVEL 2  
3/32" = 1'-0"

NO	REVISION	DATE
1	CONSTRUCTION SET	01/20/20

APPROVED: PROJECT COORDINATOR	DATE:	APPROVED: SERVICE LINE DIRECTOR	DATE:	APPROVED: INFECTION CONTROL	DATE:
APPROVED: GEMS COORDINATOR	DATE:	APPROVED: PATIENT SAFETY	DATE:	APPROVED: CHIEF OF STAFF	DATE:
APPROVED: PROJECTS SECTION MANAGER	DATE:	APPROVED: CHIEF OF POLICE	DATE:	APPROVED: HEALTH CARE SYSTEM DIRECTOR	DATE:
APPROVED: DIRECTOR PMS	DATE:	APPROVED: SAFETY MANAGER	DATE:		

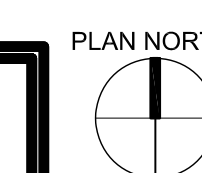
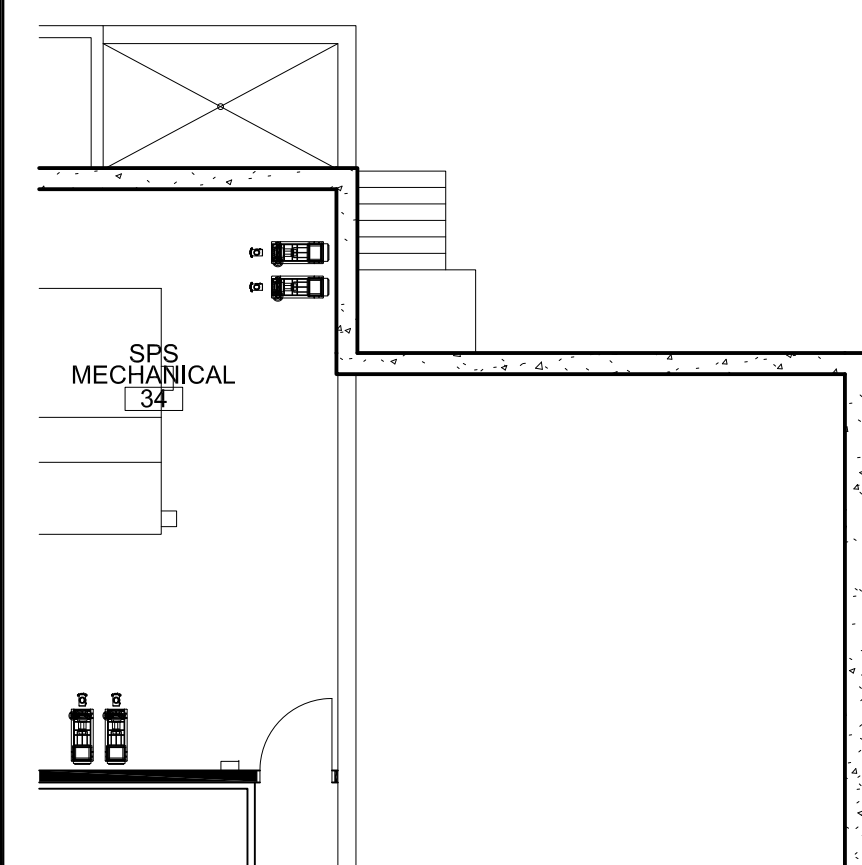
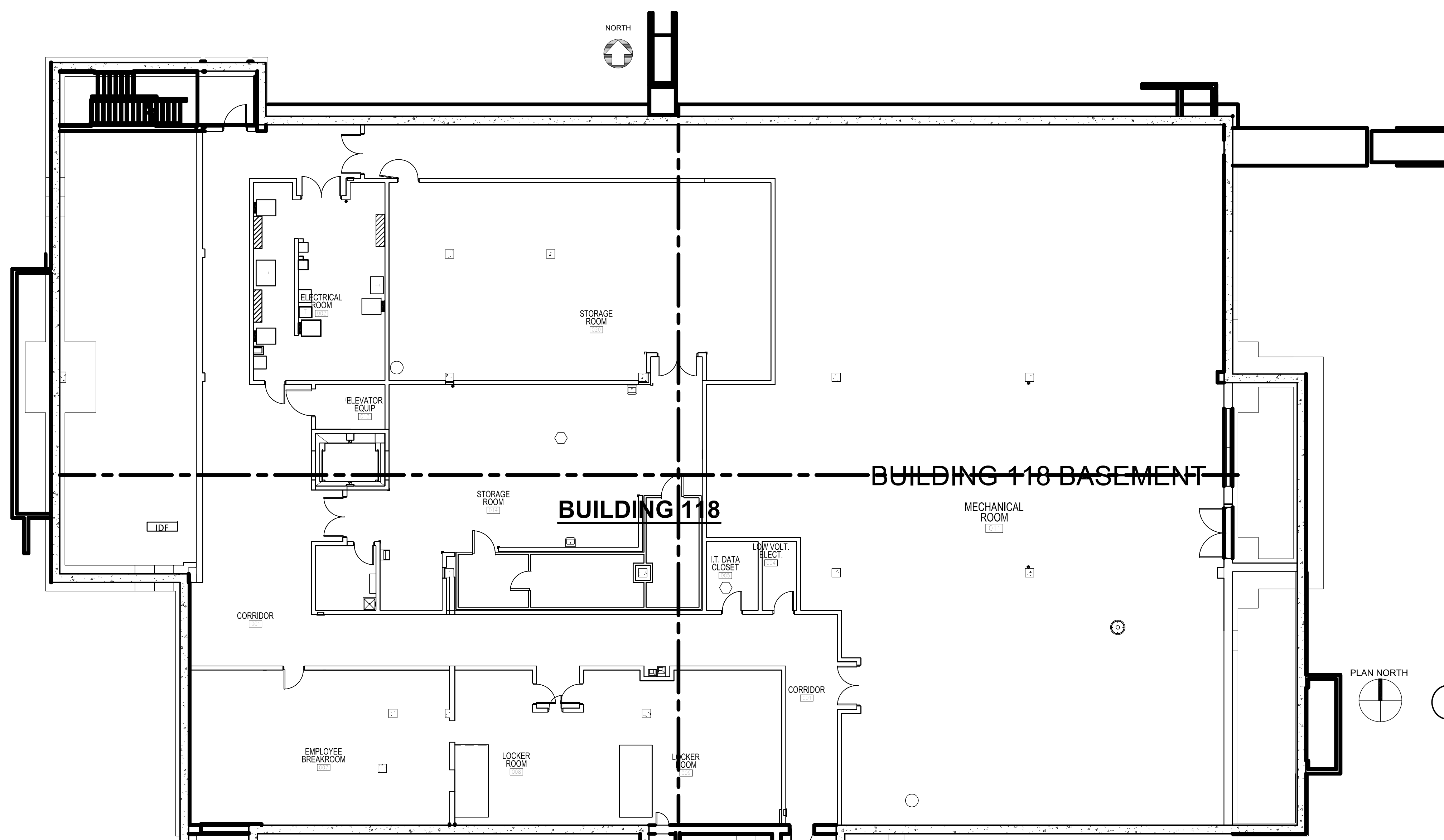
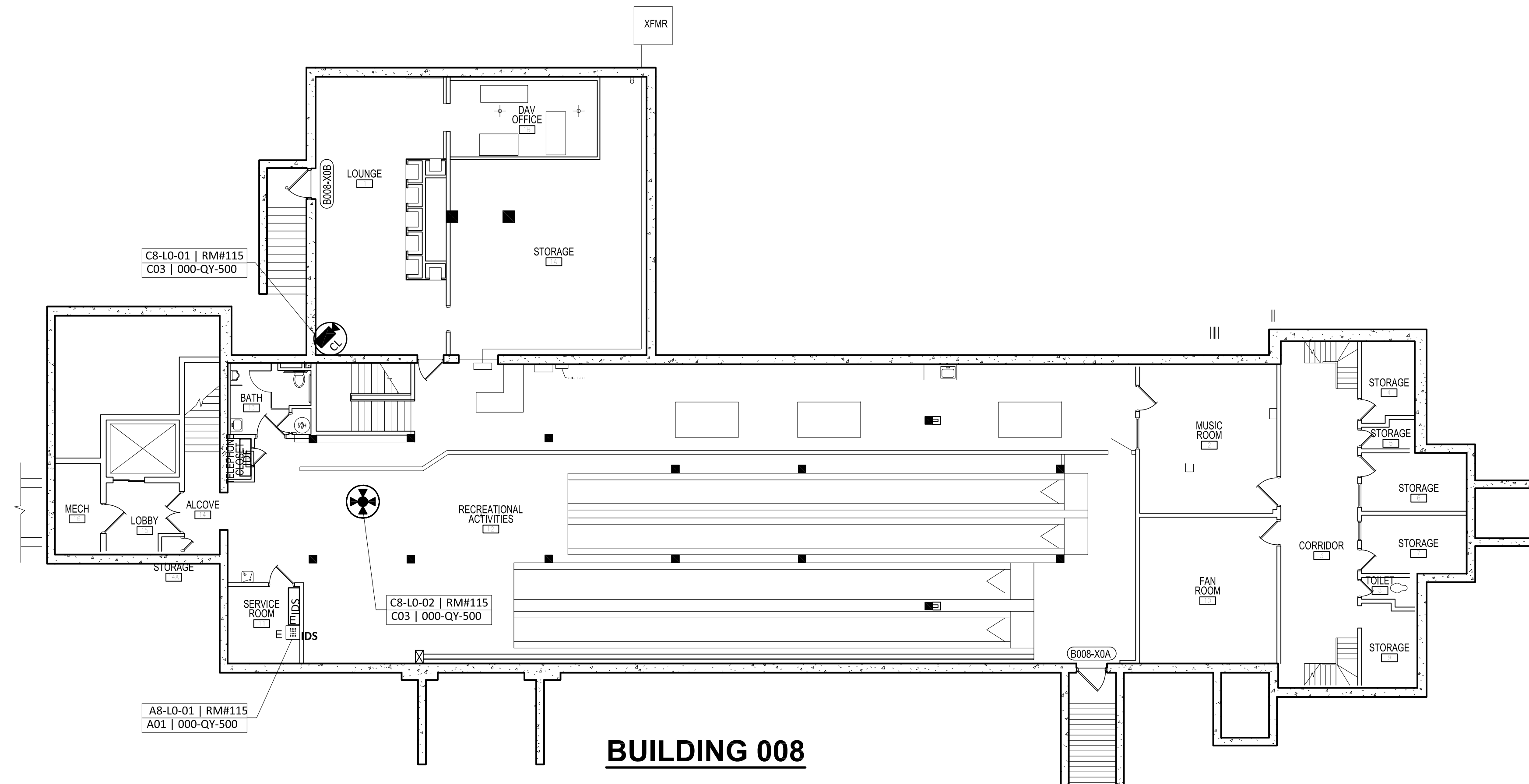
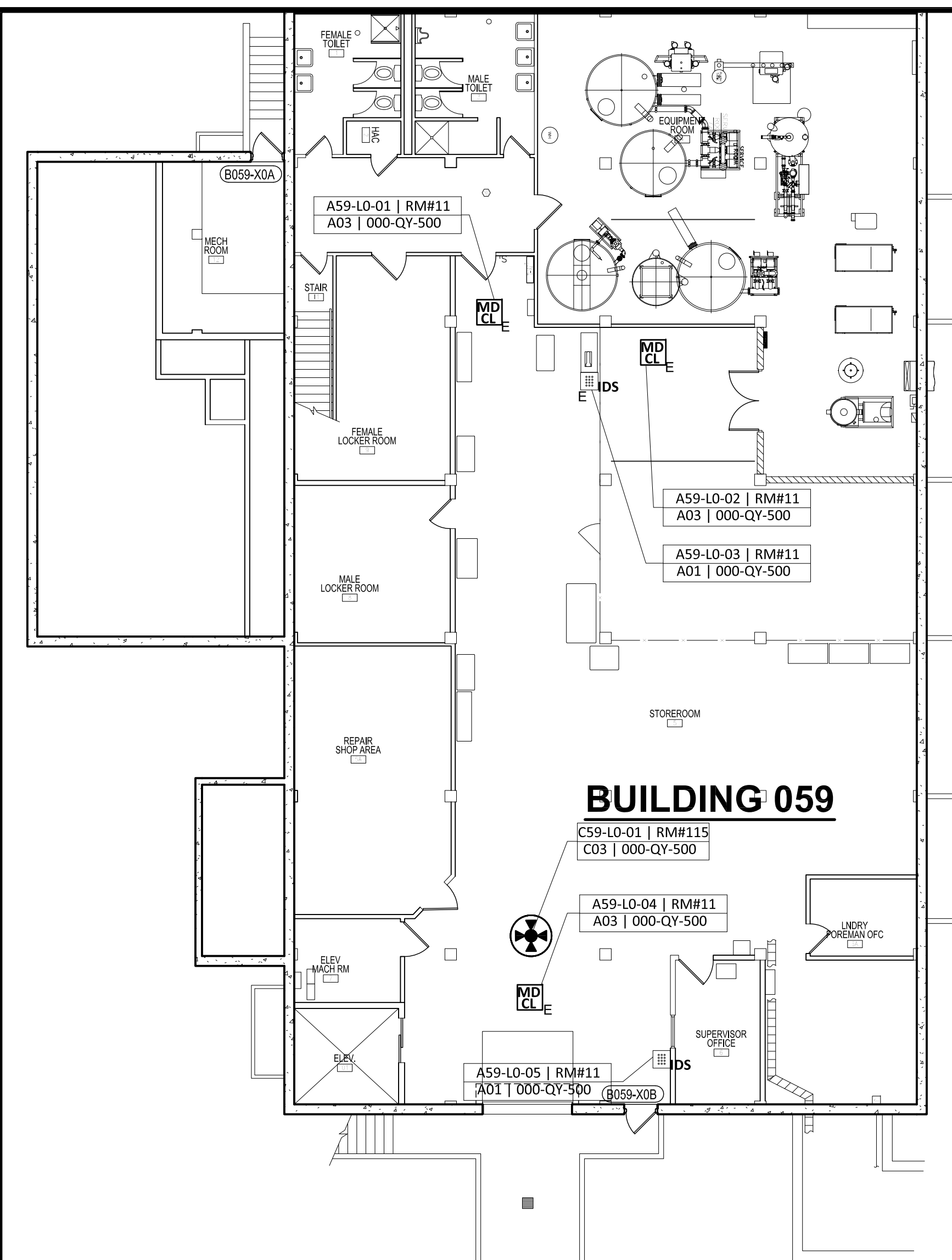
DRAWING TITLE <b>SECURITY-DURESS PLAN QUADRANT 2 LEVEL 2</b>		PROJECT NO.	
BUILDING NO.	CHECKED BY	DRAWN CM	DRAWING NO.
LOCATION VA MEDICAL CENTER ST. CLOUD, MN 56303	DATE:	DATE:	DATE:

**CONSTRUCTION SET**



U.S. Department of Veterans Affairs  
Veterans Health Administration  
St. Cloud VA Health Care System





1 Quad 03 - L0 Security  
3/32" = 1'-0"

**CONSTRUCTION SET**

NO	REVISION	DATE
1	CONSTRUCTION SET	07/20/20

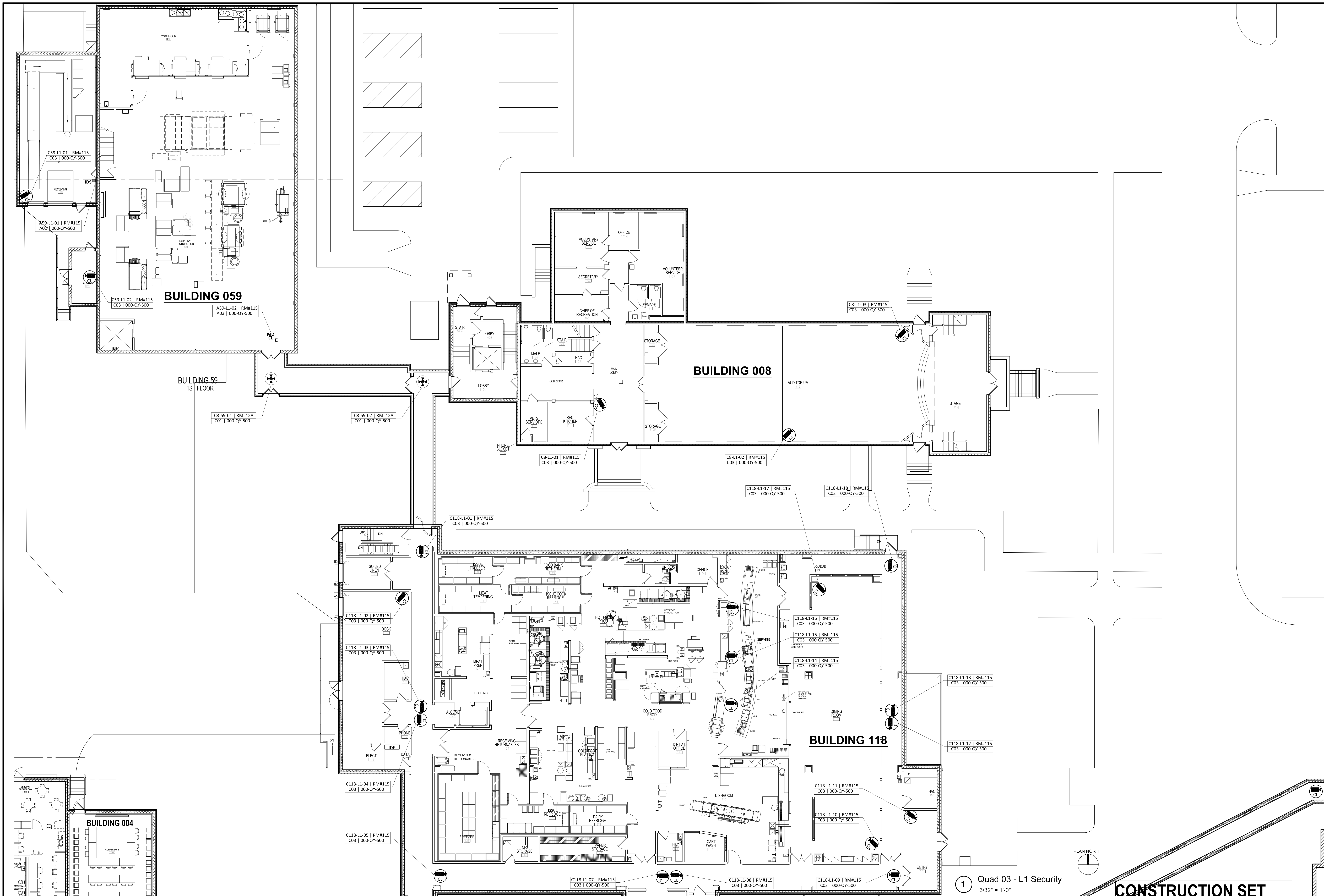
APPROVED: PROJECT COORDINATOR	DATE:	APPROVED: SERVICE LINE DIRECTOR	DATE:	APPROVED: INFECTION CONTROL NURSE	DATE:	DRAWING TITLE
		APPROVED: GEMS COORDINATOR	DATE:	APPROVED: PATIENT SAFETY	DATE:	SECURITY-DURESS PLAN QUADRANT 3 LEVEL 0
		APPROVED: PROJECTS SECTION MANAGER	DATE:	APPROVED: CHIEF OF POLICE	DATE:	APPROVED: ASSOCIATE HEALTH CARE SYSTEM DIRECTOR
		APPROVED: DIRECTOR FMS	DATE:	APPROVED: SAFETY MANAGER	DATE:	APPROVED: CHIEF OF STAFF
						APPROVED: HEALTH CARE SYSTEM DIRECTOR

PROJECT NO.	CHECKED BY	DRAWN BY	DRAWING NO.
	JZ	CM	003-QY-100
LOCATION	DATE:	DWG: 24	CP: 11
VA MEDICAL CENTER ST. CLOUD, MN 56303			

**VA**

U.S. Department of Veterans Affairs  
Veterans Health Administration  
St. Cloud VA Health Care System





**BUILDING 059**

**BUILDING 008**

**BUILDING 118**

**BUILDING 004**

BUILDING 59  
1ST FLOOR

1 Quad 03 - L1 Security  
3/32" = 1'-0"

**CONSTRUCTION SET**

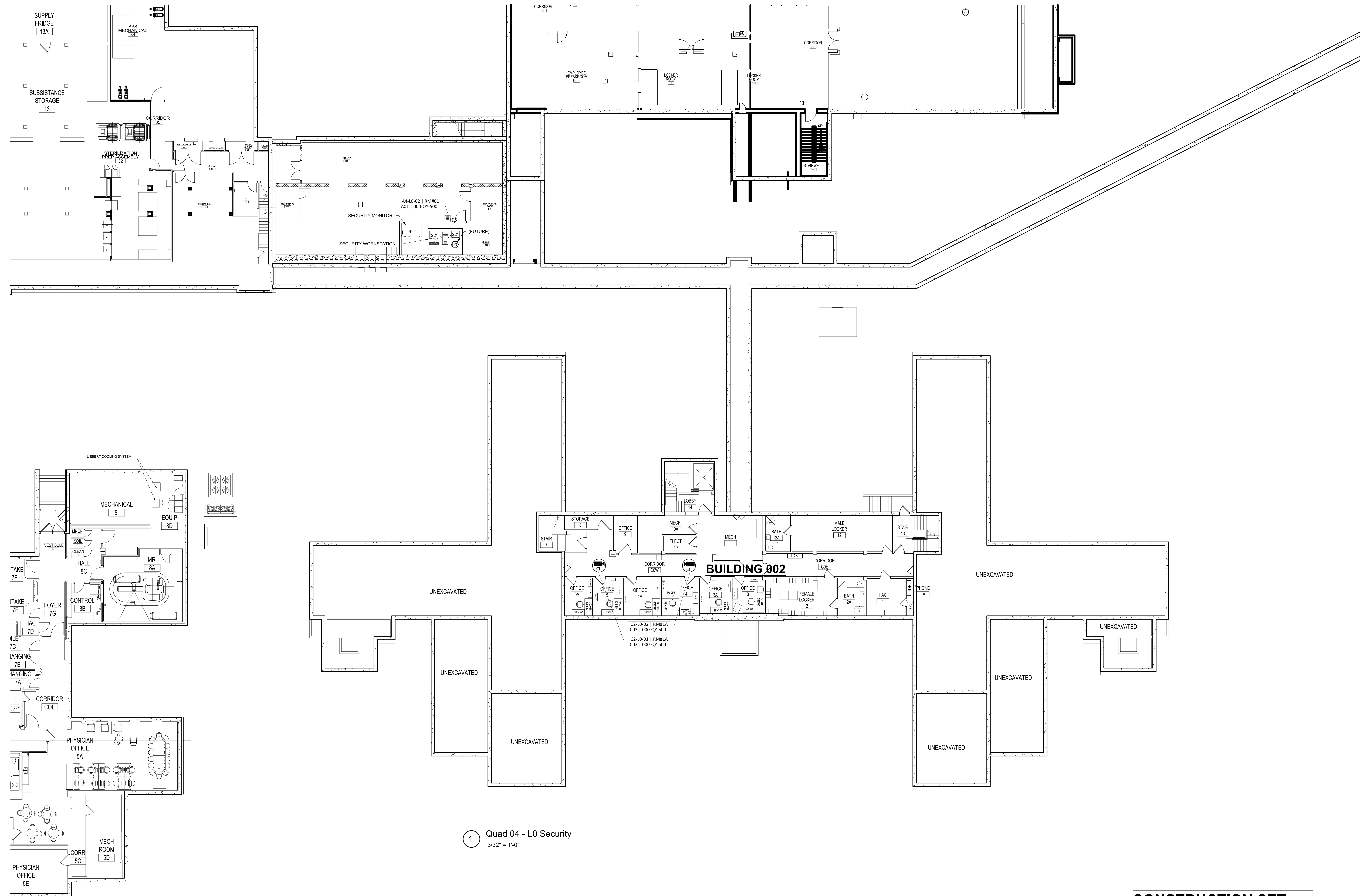


NO	REVISION	DATE

APPROVED: PROJECT COORDINATOR: _____ DATE: _____	APPROVED: SERVICE LINE DIRECTOR: _____ DATE: _____	APPROVED: INFECTION CONTROL NURSE/DATE: _____	DRAWING TITLE <b>SECURITY-DURESS PLAN QUADRANT 3 LEVEL 1</b>	PROJECT TITLE
APPROVED: GEN'S COORDINATOR: _____ DATE: _____	APPROVED: PATIENT SAFETY: _____ DATE: _____	APPROVED: ASSOCIATE HEALTH CARE SYSTEM DIRECTOR: _____ DATE: _____	PROJECT NO.	PROJECT NO.
APPROVED: PROJECTS SECTION MANAGER/DATE: _____	APPROVED: CHIEF OF POLICE: _____ DATE: _____	APPROVED: CHIEF OF STAFF: _____ DATE: _____	BUILDING NO.	CHECKED BY: _____ DRAWN BY: _____
APPROVED: DIRECTOR FMS: _____ DATE: _____	APPROVED: SAFETY MANAGER: _____ DATE: _____	APPROVED: HEALTH CARE SYSTEM DIRECTOR: _____ DATE: _____	LOCATION: VA MEDICAL CENTER ST. CLOUD, MN 56303	DRAWING NO. <b>Q03-QY-101</b> DWG. 93 OF 81







1 Quad 04 - L0 Security  
3/32" = 1'-0"

**CONSTRUCTION SET**

NO.	REVISION	DATE

APPROVED: PROJECT COORDINATOR	DATE:	APPROVED: SERVICE LINE DIRECTOR	DATE:	APPROVED: INFECTION CONTROL NURSE	DATE:
APPROVED: GEMS COORDINATOR	DATE:	APPROVED: PATIENT SAFETY DIRECTOR	DATE:	APPROVED: CHIEF OF STAFF	DATE:
APPROVED: PROJECTS SECTION MANAGER	DATE:	APPROVED: CHIEF OF POLICE	DATE:	APPROVED: HEALTH CARE SYSTEM DIRECTOR	DATE:
APPROVED: DIRECTOR PMS	DATE:	APPROVED: SAFETY MANAGER	DATE:		

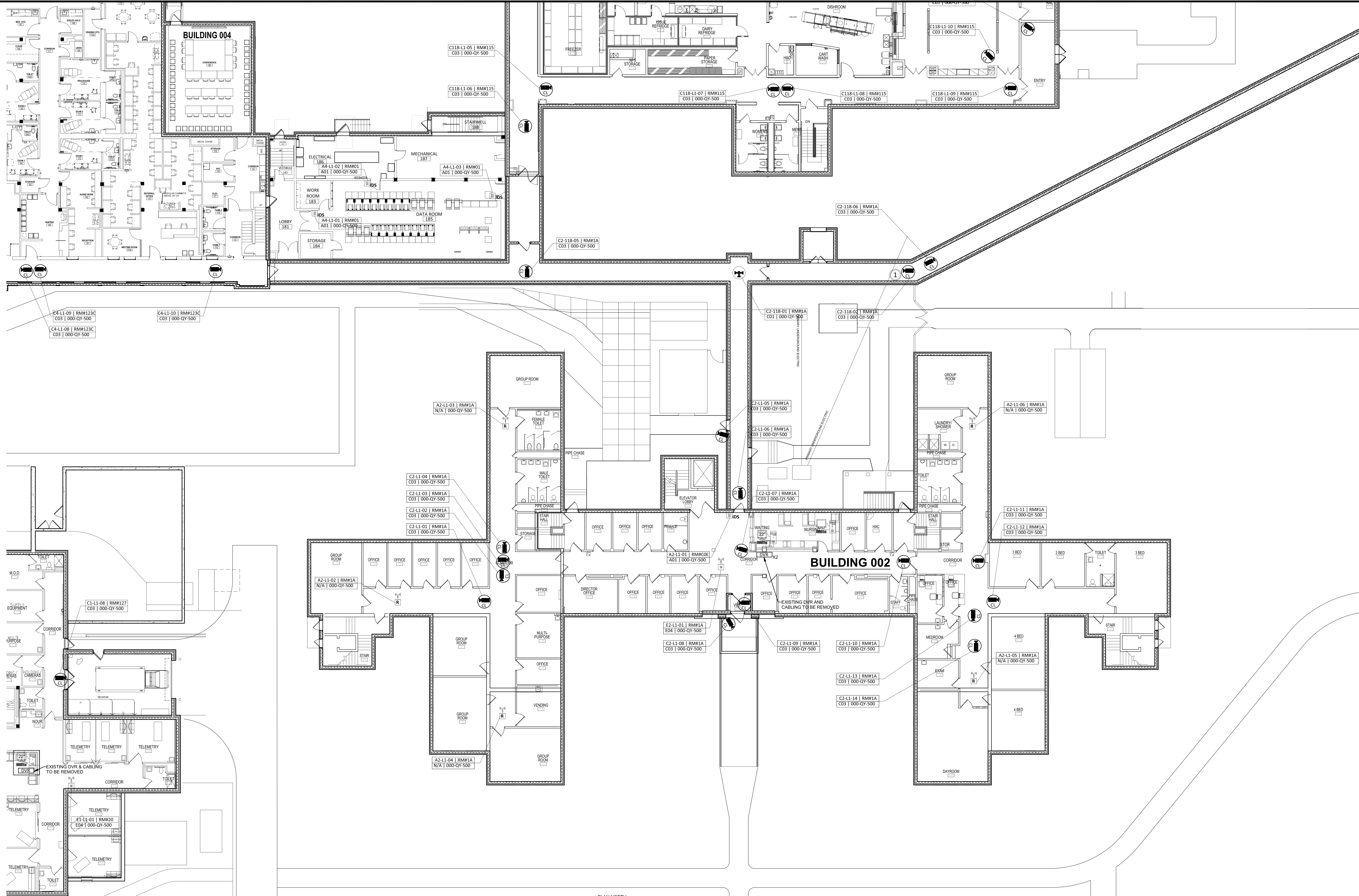
DRAWING TITLE <b>SECURITY-DURESS PLAN QUADRANT 4 LEVEL 0</b>		PROJECT NO.
APPROVED: ASSOCIATE HEALTH CARE SYSTEM DIRECTOR	DATE:	PROJECT NO.
APPROVED: CHIEF OF STAFF	DATE:	BUILDING NO.
		CHECKED BY: JZ
		DRAWN CM
		LOCATION VA MEDICAL CENTER ST. CLOUD, MN 56303
		DRAWING NO. <b>004-QY-100</b>
		DWG. 56 OF 81

**VA**



U.S. Department of Veterans Affairs  
Veterans Health Administration  
St. Cloud VA Health Care System





PLAN NORTH  
 1 Quad 04 - L1 Security  
 3/32" = 1'-0"

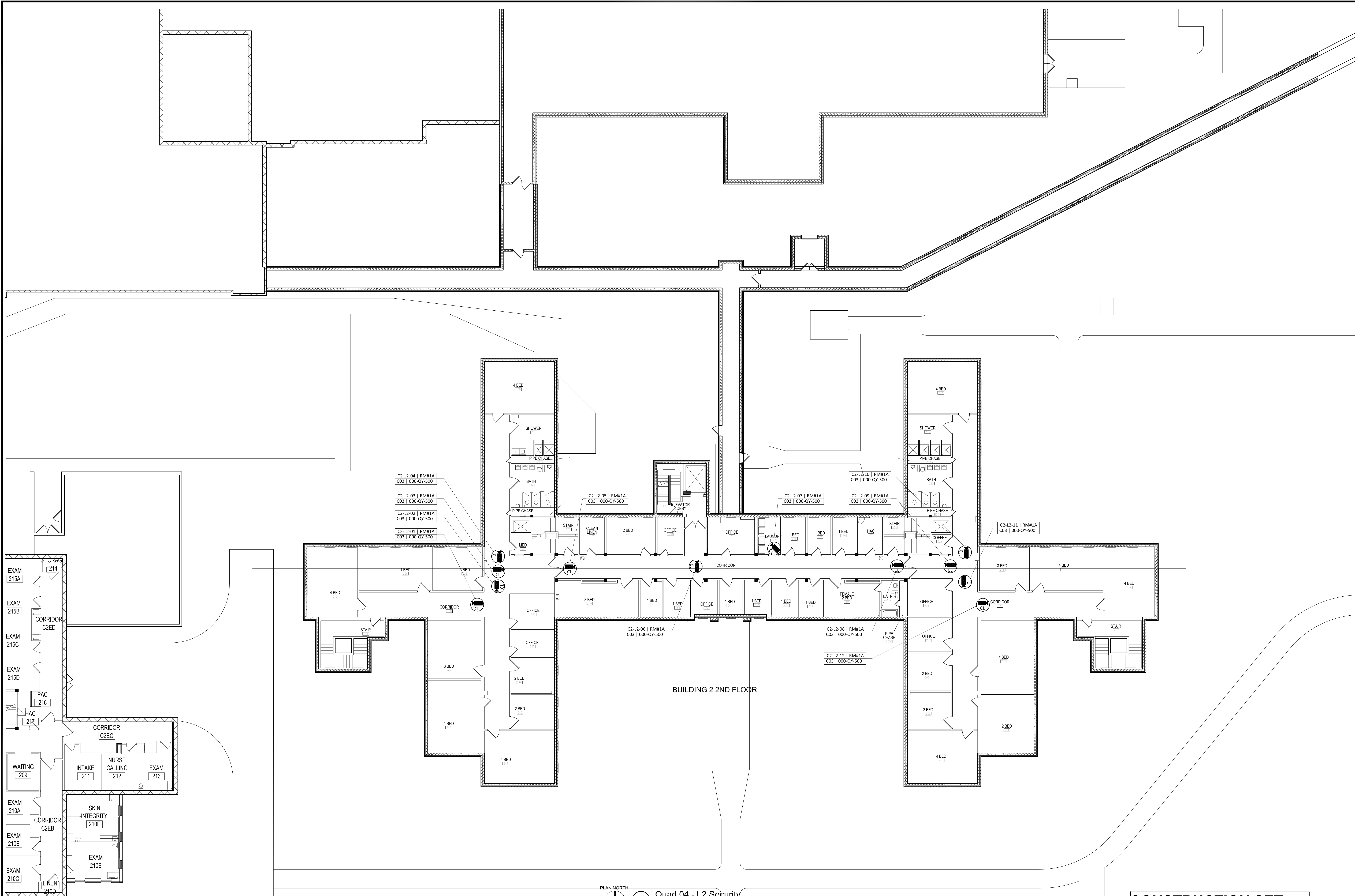
**CONSTRUCTION SET**

NO	REVISION	DATE
1	CONSTRUCTION SET	01/20/20

APPROVED: PROJECT COORDINATOR	DATE:	APPROVED: SERVICE LINE DIRECTOR	DATE:	APPROVED: INFECTION CONTROL NURSE	DATE:	DRAWING TITLE	PROJECT TITLE
						SECURITY-DURESS PLAN QUADRANT 4 LEVEL 1	
APPROVED: GEMS COORDINATOR	DATE:	APPROVED: PATIENT SAFETY	DATE:	APPROVED: ASSOCIATE HEALTH CARE SYSTEM DIRECTOR	DATE:	BUILDING NO.	CHECKED BY
						VA MEDICAL CENTER	JZ
APPROVED: PROJECTS SECTION MANAGER	DATE:	APPROVED: CHIEF OF POLICE	DATE:	APPROVED: CHIEF OF STAFF	DATE:	DESIGN CM	DATE
							04-QY-101
APPROVED: DIRECTOR FMS	DATE:	APPROVED: SAFETY MANAGER	DATE:	APPROVED: HEALTH CARE SYSTEM DIRECTOR	DATE:	ST. CLOUD, MN 56303	DWG. 57 OF 81







PLAN NORTH  
 1 Quad 04 - L2 Security  
 3/32" = 1'-0"

**CONSTRUCTION SET**

NO.	REVISION	DATE

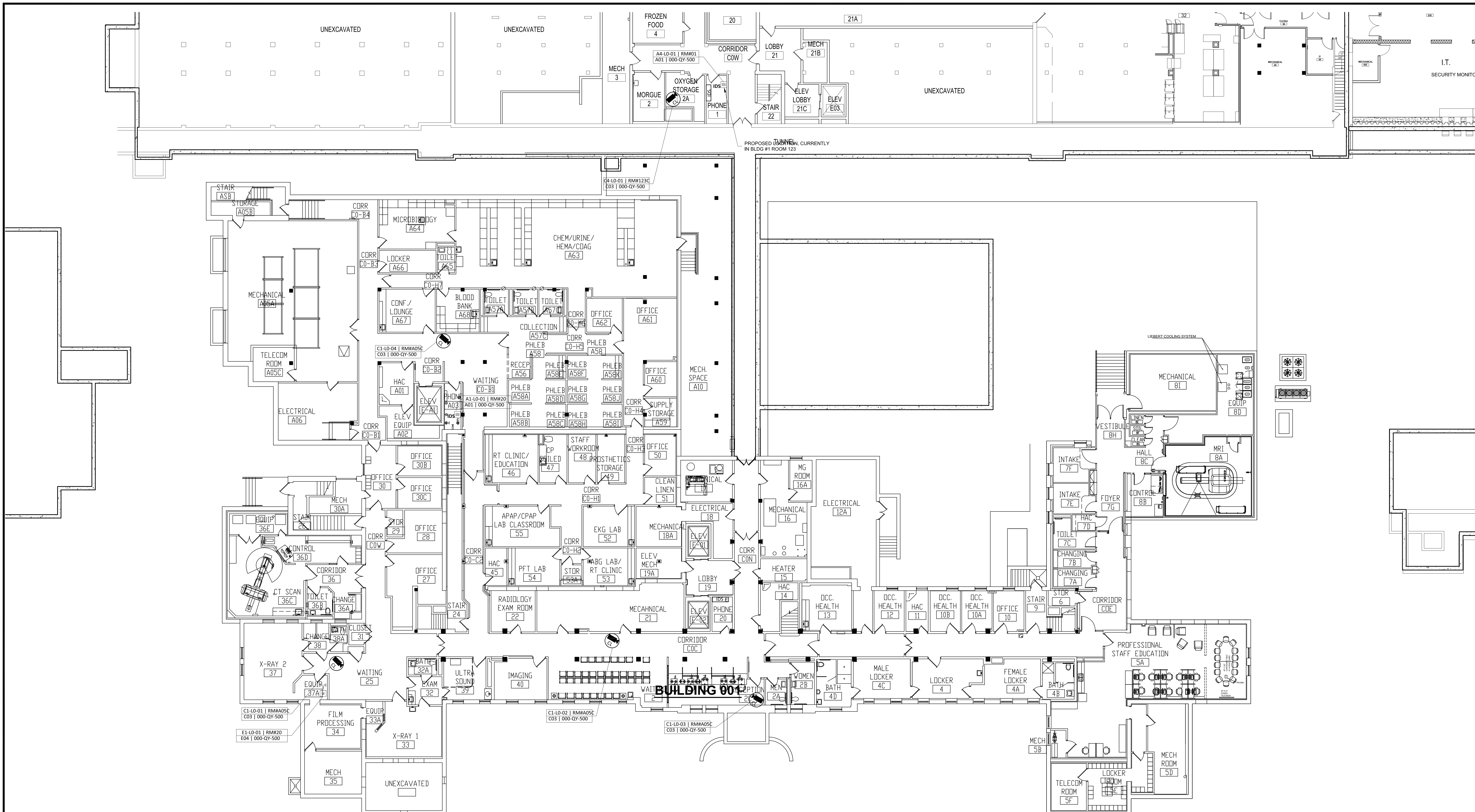
APPROVED: PROJECT COORDINATOR	DATE:	APPROVED: SERVICE LINE DIRECTOR	DATE:	APPROVED: INFECTION CONTROL NURSE	DATE:	DRAWING TITLE	PROJECT TITLE
						<b>SECURITY-DURESS PLAN QUADRANT 4 LEVEL 2</b>	
APPROVED: DEMS COORDINATOR	DATE:	APPROVED: PATIENT SAFETY	DATE:	APPROVED: ASSOCIATE HEALTH CARE SYSTEM DIRECTOR	DATE:		
APPROVED: PROJECTS SECTION MANAGER	DATE:	APPROVED: CHIEF OF POLICE	DATE:	APPROVED: CHIEF OF STAFF	DATE:		
APPROVED: DIRECTOR FMS	DATE:	APPROVED: SAFETY MANAGER	DATE:	APPROVED: HEALTH CARE SYSTEM DIRECTOR	DATE:		

BUILDING NO.	CHECKED BY	DRAWN BY	DRAWING NO.
	JZ	CM	Q04-QY-102
LOCATION:			DWG. 98 OF 81
VA MEDICAL CENTER			
ST. CLOUD, MN 56303			



**U.S. Department of Veterans Affairs**  
 Veterans Health Administration  
 St. Cloud VA Health Care System





BUILDING 1 BASEMENT  
Last Updated: 6/23/2022

1 Quad 05 - L0 Security  
3/32" = 1'-0"

NO	REVISION	DATE
1	CONSTRUCTION SET	01/20/20

APPROVED: PROJECT COORDINATOR	DATE:	APPROVED: SERVICE LINE DIRECTOR	DATE:	APPROVED: INFECTION CONTROL NURSE	DATE:	DRAWING TITLE	PROJECT TITLE
						SECURITY-DURESS PLAN QUADRANT 5 LEVEL 0	
APPROVED: GEMS COORDINATOR	DATE:	APPROVED: PATIENT SAFETY	DATE:	APPROVED: ASSOCIATE HEALTH CARE SYSTEM DIRECTOR	DATE:		
APPROVED: PROJECTS SECTION MANAGER	DATE:	APPROVED: CHIEF OF POLICE	DATE:	APPROVED: CHIEF OF STAFF	DATE:		
APPROVED: DIRECTOR PMS	DATE:	APPROVED: SAFETY MANAGER	DATE:	APPROVED: HEALTH CARE SYSTEM DIRECTOR	DATE:		

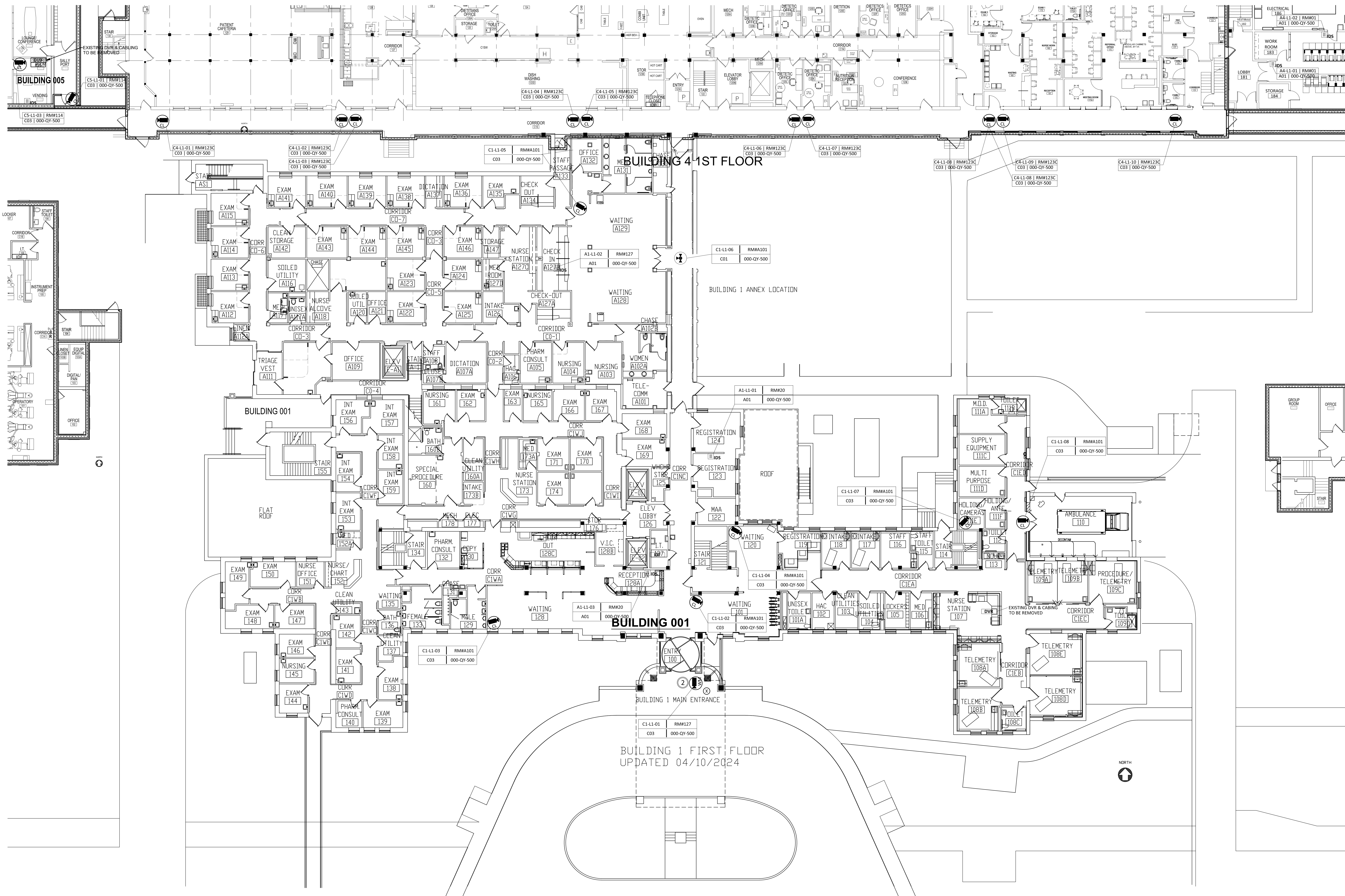
**CONSTRUCTION SET**

BUILDING NO.	CHECKED BY	DRAWN BY	DATE	PROJECT NO.	PLANT SCALE
					3/32" = 1'-0"
LOCATION:			DRAWING NO.		
VA MEDICAL CENTER			Q05-QY-100		
ST. CLOUD, MN 56303			DWG. 59 OF 81		

**VA**

**U.S. Department of Veterans Affairs**  
Veterans Health Administration  
St. Cloud VA Health Care System





PLAN NORTH  
 1 Quad 05 - L1 Security  
 3/32" = 1'-0"

**CONSTRUCTION SET**

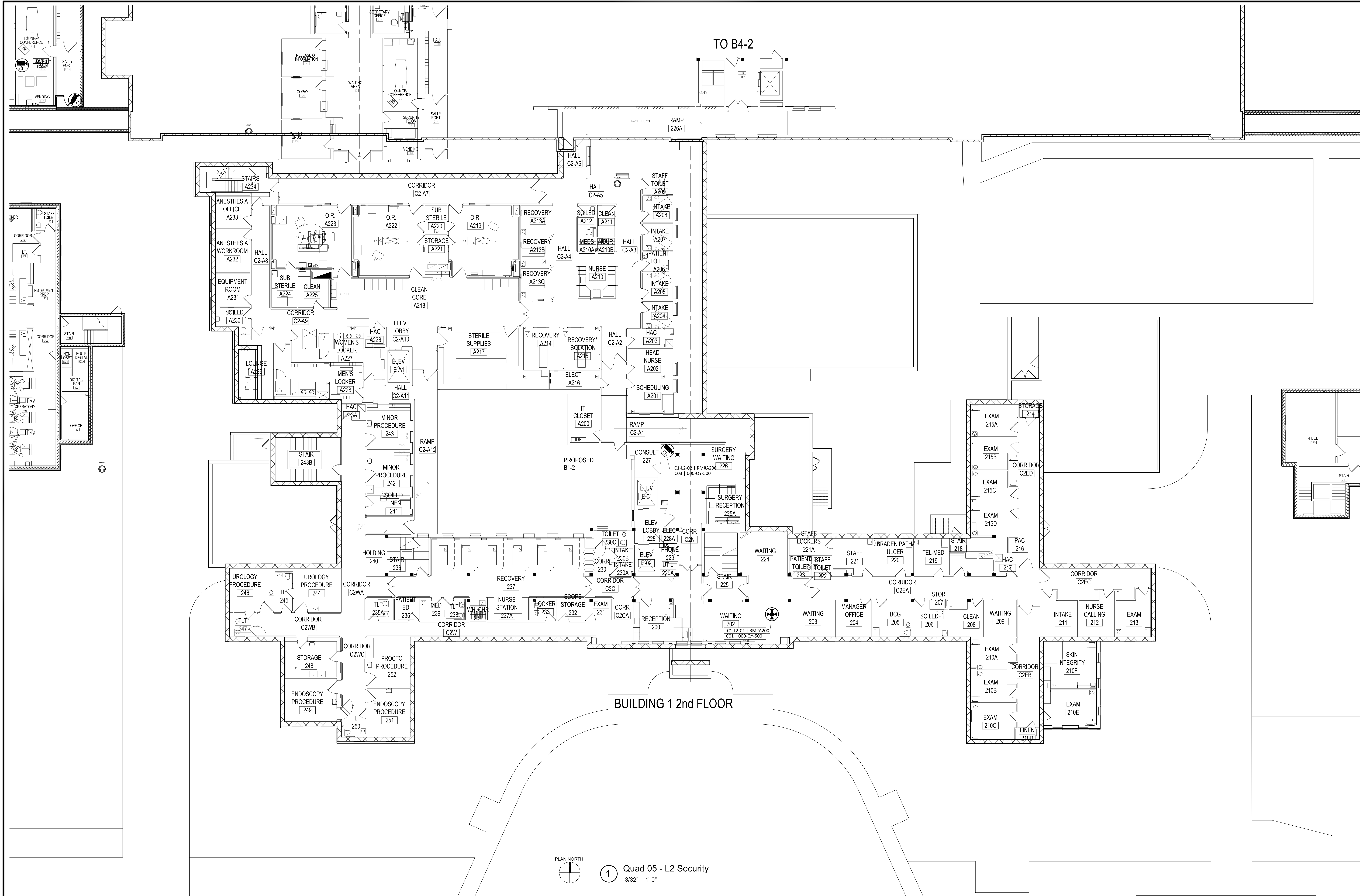
NO.	REVISION	DATE

APPROVED: PROJECT COORDINATOR DATE:	APPROVED: SERVICE LINE DIRECTOR DATE:	APPROVED: INFECTION CONTROL NURSE DATE:	DRAWING TITLE: SECURITY-DURESS PLAN QUADRANT 5 LEVEL 1	PROJECT TITLE:
APPROVED: ASOCIATE HEALTH CARE SYSTEM DIRECTOR DATE:	APPROVED: GENM COORDINATOR DATE:	APPROVED: PATIENT SAFETY DATE:	APPROVED: ASSOCIATE HEALTH CARE SYSTEM DIRECTOR DATE:	BUILDING NO. CHECKED BY: DRAWN BY:
APPROVED: PROJECTS SECTION MANAGER DATE:	APPROVED: CHIEF OF POLICE DATE:	APPROVED: CHIEF OF STAFF DATE:	APPROVED: HEALTH CARE SYSTEM DIRECTOR DATE:	LOCATION: VA MEDICAL CENTER ST. CLOUD, MN 56303
APPROVED: DIRECTOR FMS DATE:	APPROVED: SAFETY MANAGER DATE:	APPROVED: HEALTH CARE SYSTEM DIRECTOR DATE:	PROJECT NO. Q05-QY-101	DATE: 01/20/20

**VA**

U.S. Department of Veterans Affairs  
 Veterans Health Administration  
 St. Cloud VA Health Care System





1 Quad 05 - L2 Security  
3/32" = 1'-0"

**CONSTRUCTION SET**

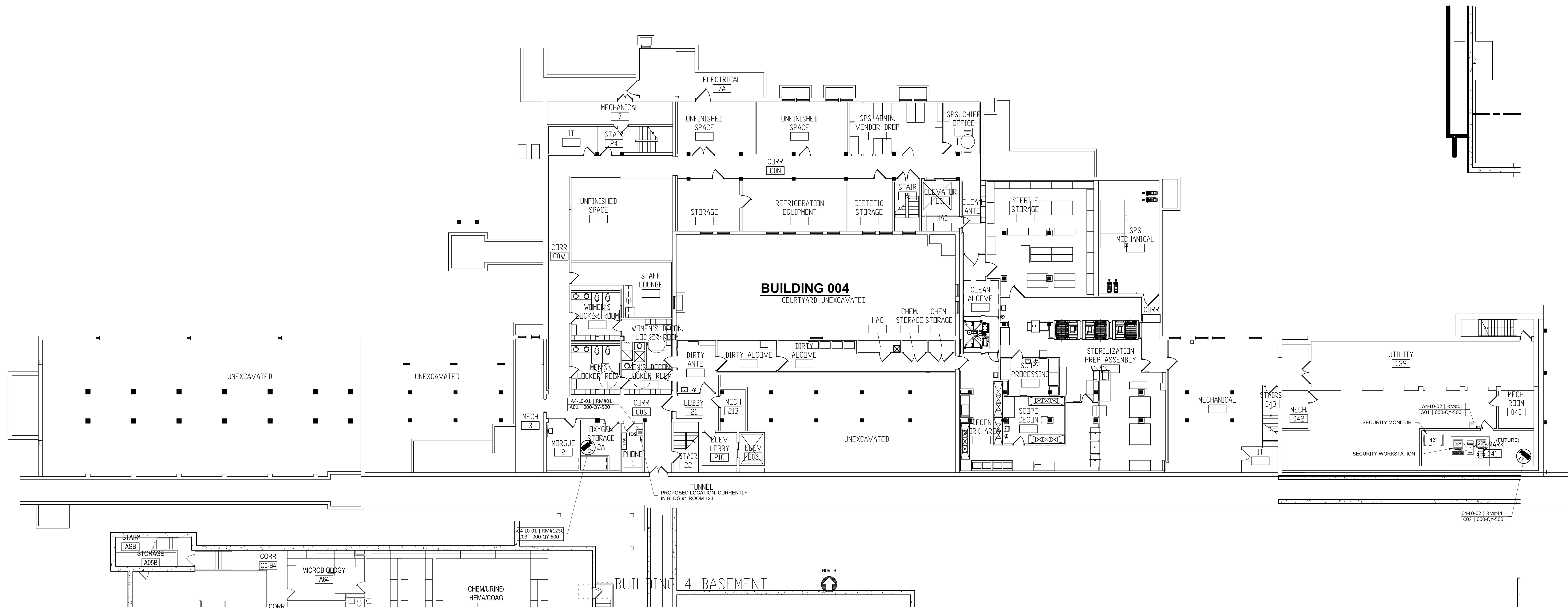
NO.	REVISION	DATE

APPROVED: PROJECT COORDINATOR	DATE:	APPROVED: SERVICE LINE DIRECTOR	DATE:	APPROVED: INFECTION CONTROL NURSE	DATE:	DRAWING: SECURITY-DRESS PLAN QUADRANT 5 LEVEL 2
APPROVED: GEMS COORDINATOR	DATE:	APPROVED: PATIENT SAFETY	DATE:	APPROVED: ASSOCIATE HEALTH CARE SYSTEM DIRECTOR	DATE:	PROJECT TITLE:
APPROVED: PROJECTS SECTION MANAGER	DATE:	APPROVED: CHIEF OF POLICE	DATE:	APPROVED: CHIEF OF STAFF	DATE:	BUILDING NO.:
APPROVED: DIRECTOR PMS	DATE:	APPROVED: SAFETY MANAGER	DATE:	APPROVED: HEALTH CARE SYSTEM DIRECTOR	DATE:	CHECKED:

PROJECT NO.:	DRAWING NO.:	CHECKED:	DRAWN:	AUTHOR:
LOCATION: VA MEDICAL CENTER ST. CLOUD, MN 56303	DRAWING NO. 005-QY-102	DWG. 61	OF 81	

**U.S. Department of Veterans Affairs**  
**Veterans Health Administration**  
 St. Cloud VA Health Care System





1 Quad 06 - L0 Security  
3/32" = 1'-0"

**CONSTRUCTION SET**

NO.	REVISION	DATE
1	CONSTRUCTION SET	01/20/20

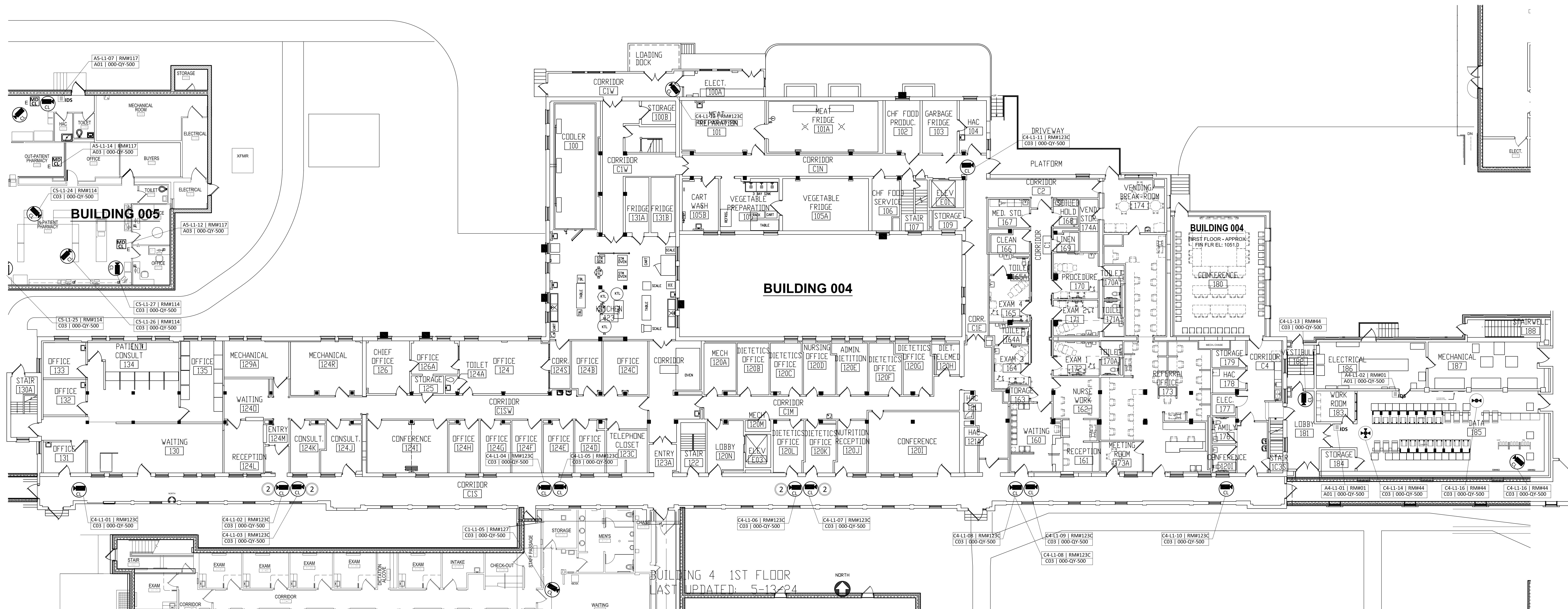
APPROVED: PROJECT COORDINATOR	DATE:	APPROVED: SERVICE LINE DIRECTOR	DATE:	APPROVED: INFECTION CONTROL NURSE	DATE:
APPROVED: GEMS COORDINATOR	DATE:	APPROVED: PATIENT SAFETY MANAGER	DATE:	APPROVED: CHIEF OF STAFF	DATE:
APPROVED: PROJECTS SECTION MANAGER	DATE:	APPROVED: CHIEF OF POLICE	DATE:	APPROVED: HEALTH CARE SYSTEM DIRECTOR	DATE:
APPROVED: DIRECTOR PMS	DATE:	APPROVED: SAFETY MANAGER	DATE:		

DRAWING TITLE: SECURITY-DURESS PLAN QUADRANT 6 LEVEL 0		PROJECT NO.:	
APPROVED: ASSOCIATE HEALTH CARE SYSTEM DIRECTOR		DRAWN BY: JZ	
APPROVED: CHIEF OF STAFF		CHECKED BY: JZ	
APPROVED: HEALTH CARE SYSTEM DIRECTOR		DRAWN CM:	
LOCATION: VA MEDICAL CENTER ST. CLOUD, MN 56303		DRAWINGS: 006-QY-100 DWG. 02 OF 81	



U.S. Department of Veterans Affairs  
Veterans Health Administration  
St. Cloud VA Health Care System





PLAN NORTH  
 1 Quad 06 - L1 Security  
 3/32" = 1'-0"

**CONSTRUCTION SET**

NO	REVISION	DATE

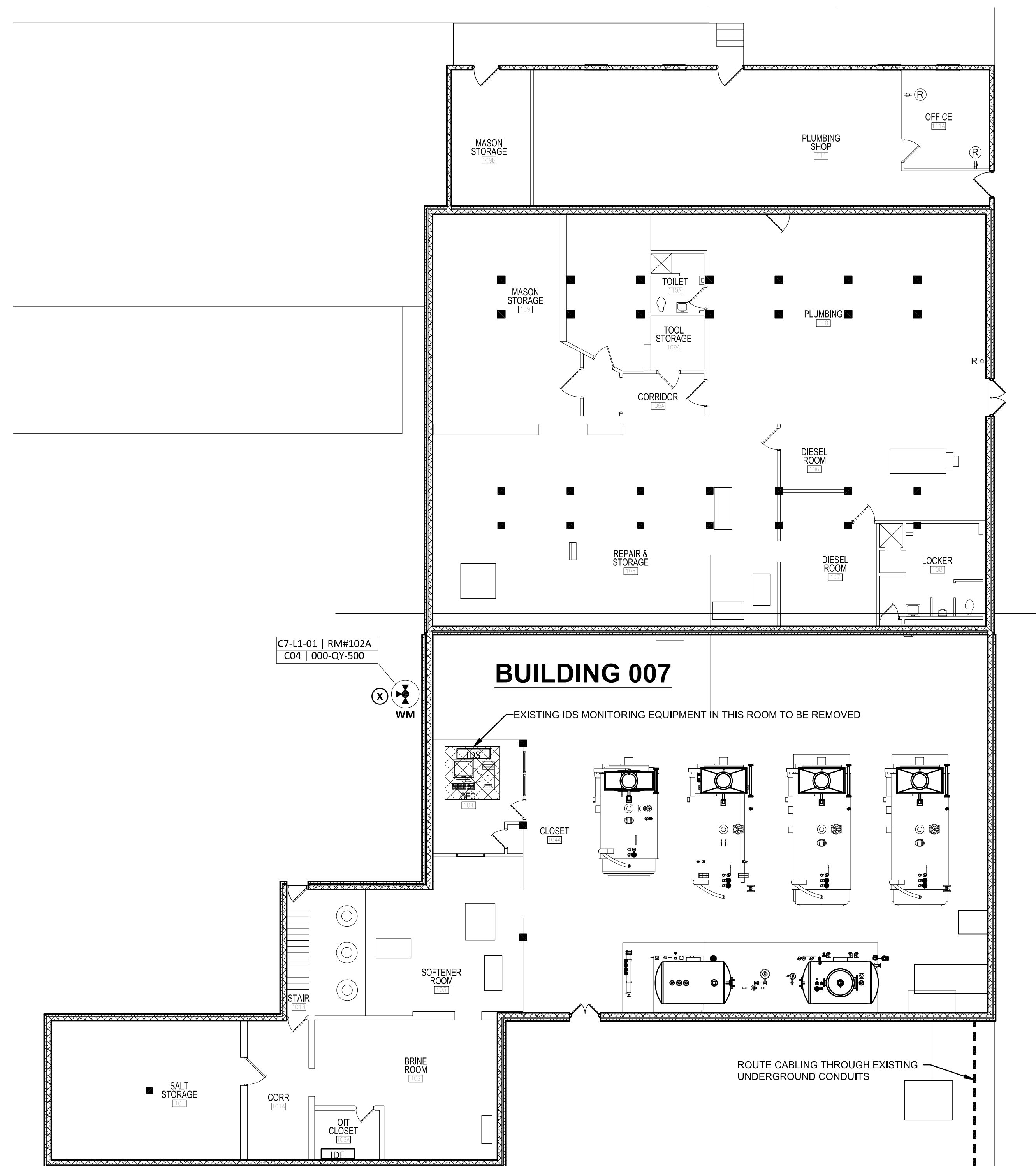
APPROVED:	PROJECT COORDINATOR	DATE:	APPROVED:	SERVICE LINE DIRECTOR	DATE:	APPROVED:	INFECTION CONTROL NURSE	DATE:	DRAWING TITLE:
									SECURITY-DURESS PLAN QUADRANT 6
									LEVEL 1

APPROVED:	PROJECTS SECTION MANAGER	DATE:	APPROVED:	CHIEF OF POLICE	DATE:	APPROVED:	CHIEF OF STAFF	DATE:

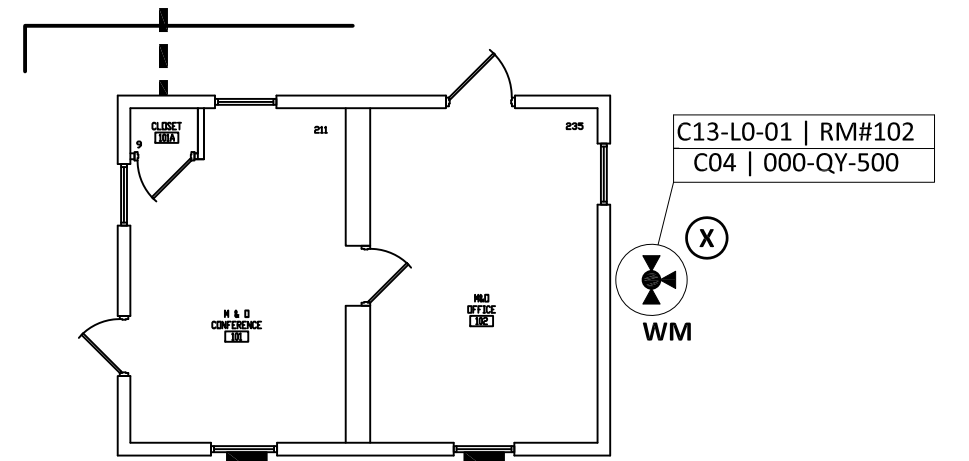
PROJECT TITLE:	PROJECT NO:	DRAWING NO:	DATE:	SCALE:

**U.S. Department of Veterans Affairs**  
**Veterans Health Administration**  
 St. Cloud VA Health Care System

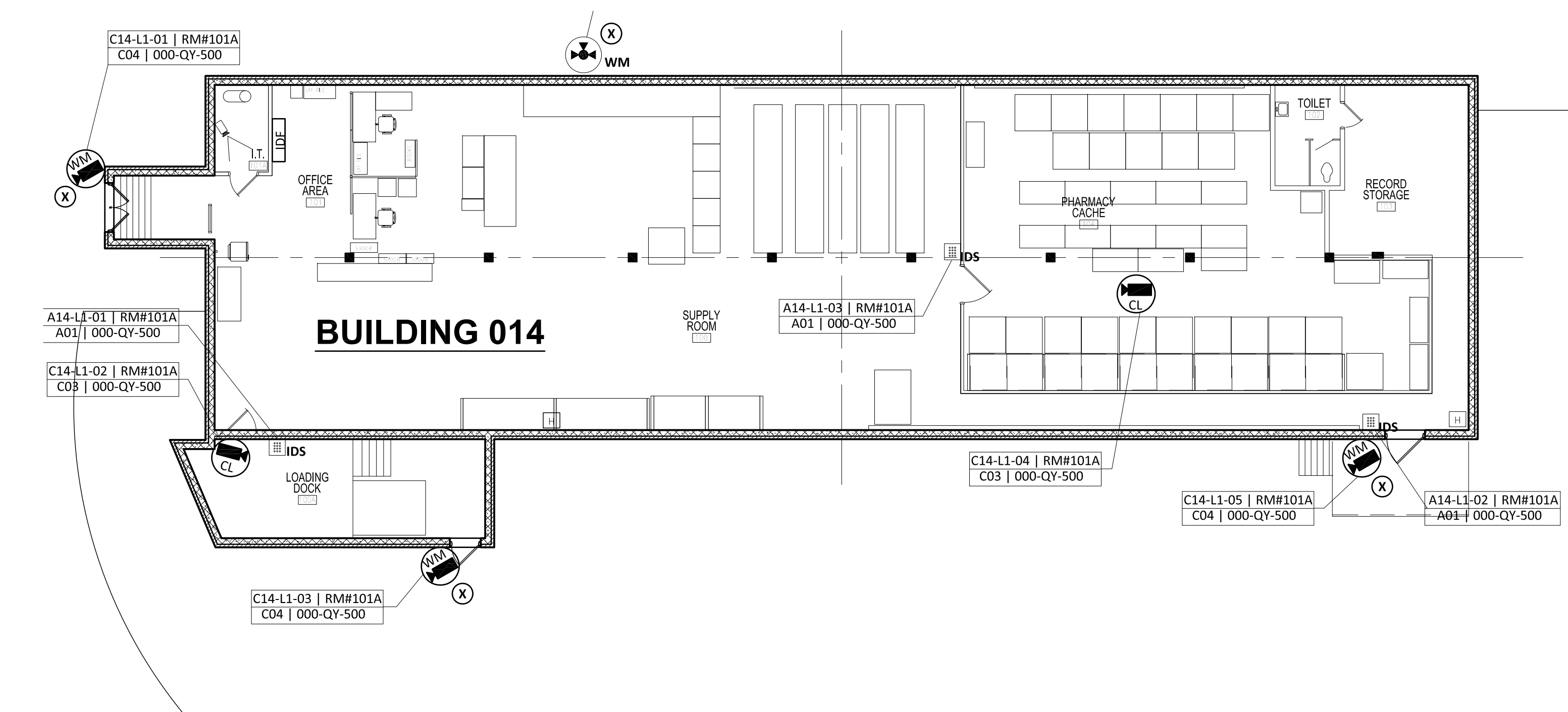




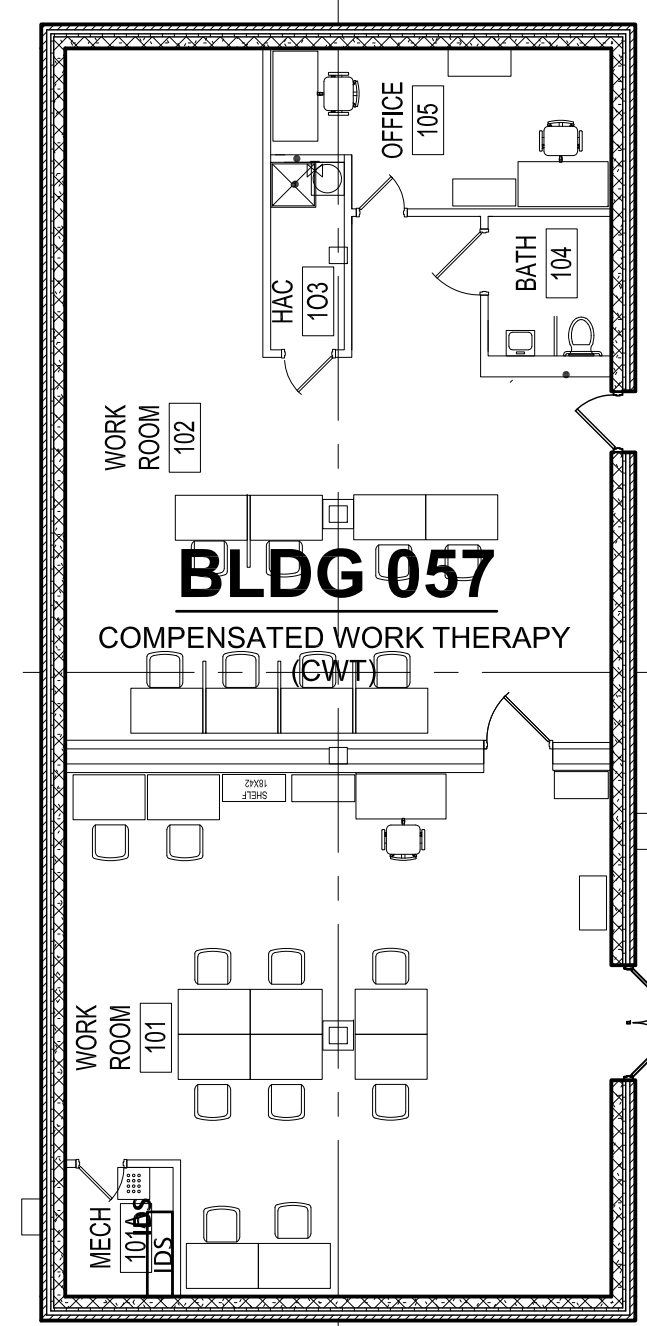
2 SECURITY-DURESS PLAN QUADRANT 7B LEVEL 1  
3/32" = 1'-0"



4 SECURITY-DURESS PLAN QUADRANT 7D LEVEL 1  
3/32" = 1'-0"



1 SECURITY-DURESS PLAN QUADRANT 7A LEVEL 1  
3/32" = 1'-0"



3 SECURITY-DURESS PLAN QUADRANT 7C LEVEL 1  
3/32" = 1'-0"

NO	REVISION	DATE
1	CONSTRUCTION SET	01/20/20

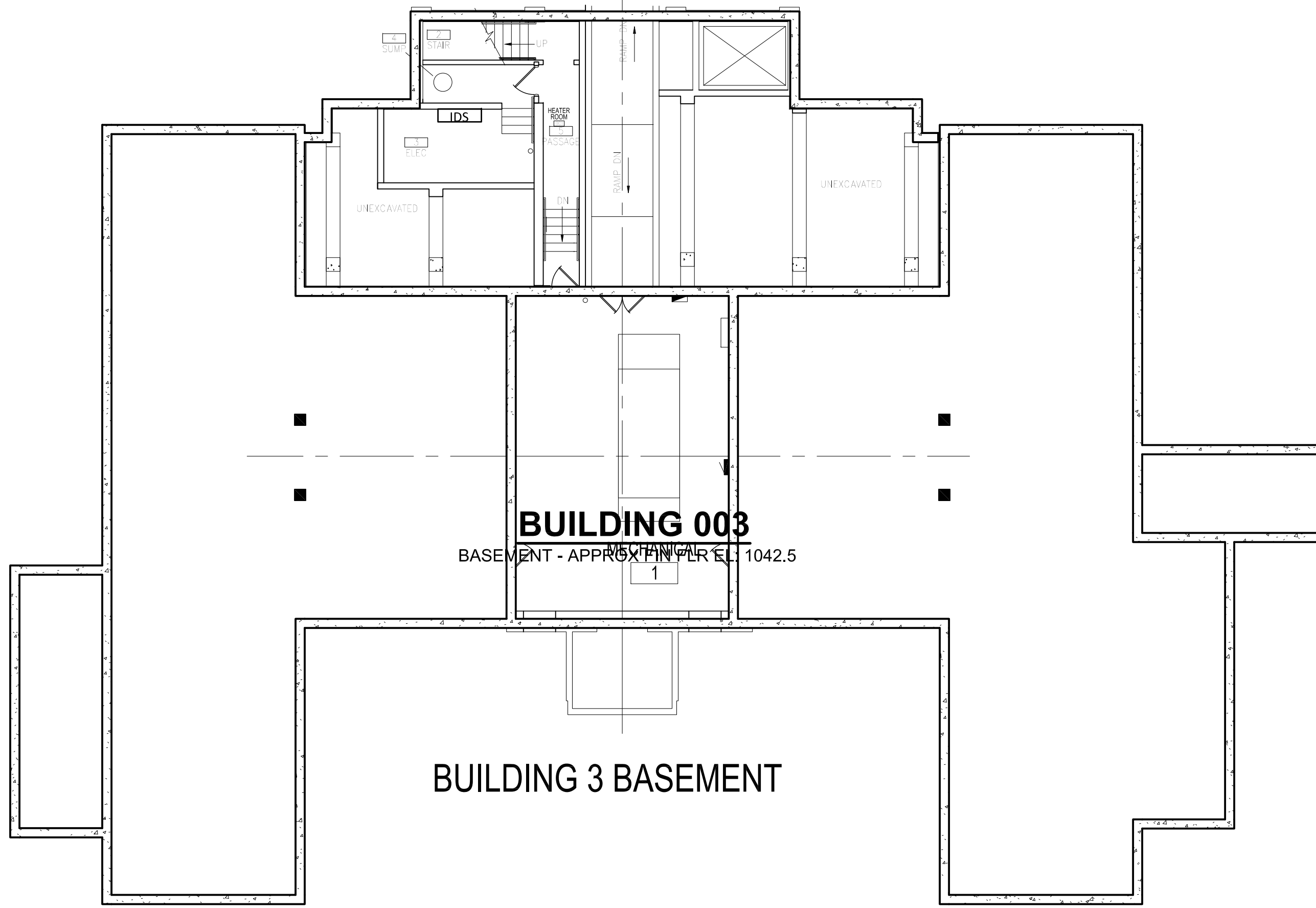
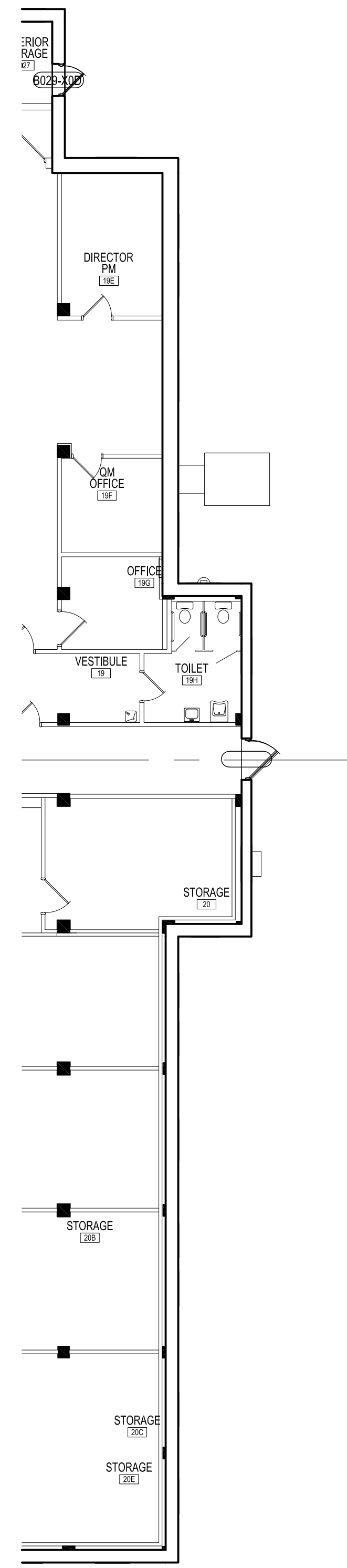
APPROVED: PROJECT COORDINATOR	DATE:	APPROVED: SERVICE LINE DIRECTOR	DATE:	APPROVED: INFECTION CONTROL NURSE	DATE:	APPROVED: PATIENT SAFETY DIRECTOR	DATE:	APPROVED: CHIEF OF STAFF	DATE:	APPROVED: HEALTH CARE SYSTEM DIRECTOR	DATE:
APPROVED: GEMS COORDINATOR	DATE:	APPROVED: PROJECTS SECTION MANAGER	DATE:	APPROVED: CHIEF OF POLICE	DATE:	APPROVED: SAFETY MANAGER	DATE:				
APPROVED: DIRECTOR PMS	DATE:										

DRAWING TITLE <b>SECURITY-DURESS PLAN QUADRANT 7 LEVEL 1</b>			PROJECT NO.		
BUILDING NO.	CHECKED BY	DRAWN CM	PROJECT NO.	PLOT SCALE	DWG. NO.
	JZ			1'-0"	007-QY-101
LOCATION VA MEDICAL CENTER ST. CLOUD, MN 56303			DRAWING 007-QY-101 DWG. 64 OF 81		

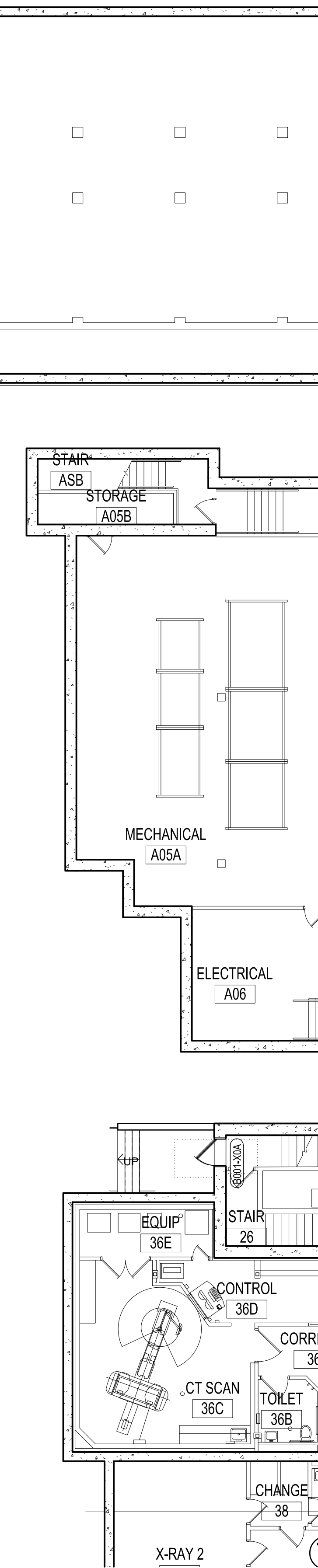
**CONSTRUCTION SET**







① Quad 08 - L0 Security  
3/32" = 1'-0"



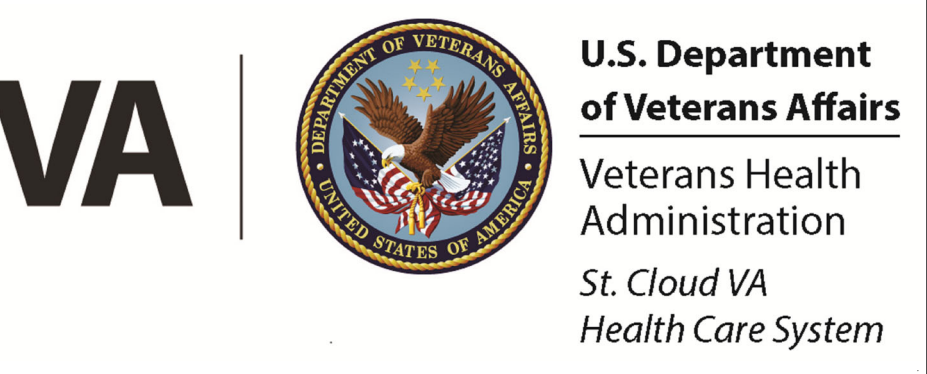
**CONSTRUCTION SET**

NO	REVISION	DATE

APPROVED: PROJECT COORDINATOR DATE:	APPROVED: SERVICE LINE DIRECTOR DATE:	APPROVED: INFECTION CONTROL NURSE DATE:	DRAWING TITLE: SECURITY-DURESS PLAN QUADRANT 8 LEVEL 0	PROJECT TITLE:	PLOT SCALE: 3/32" = 1'-0"
			APPROVED: ASSOCIATE HEALTH CARE SYSTEM DIRECTOR DATE:		PROJECT NO:
	APPROVED: GEMS COORDINATOR DATE:	APPROVED: PATIENT SAFETY DATE:	APPROVED: CHIEF OF STAFF DATE:	BUILDING NO.:	CHECKED BY: JZ
			APPROVED: HEALTH CARE SYSTEM DIRECTOR DATE:		DRAWN BY: CM
	APPROVED: PROJECTS SECTION MANAGER DATE:	APPROVED: CHIEF OF POLICE DATE:			
	APPROVED: DIRECTOR FMS DATE:	APPROVED: SAFETY MANAGER DATE:			

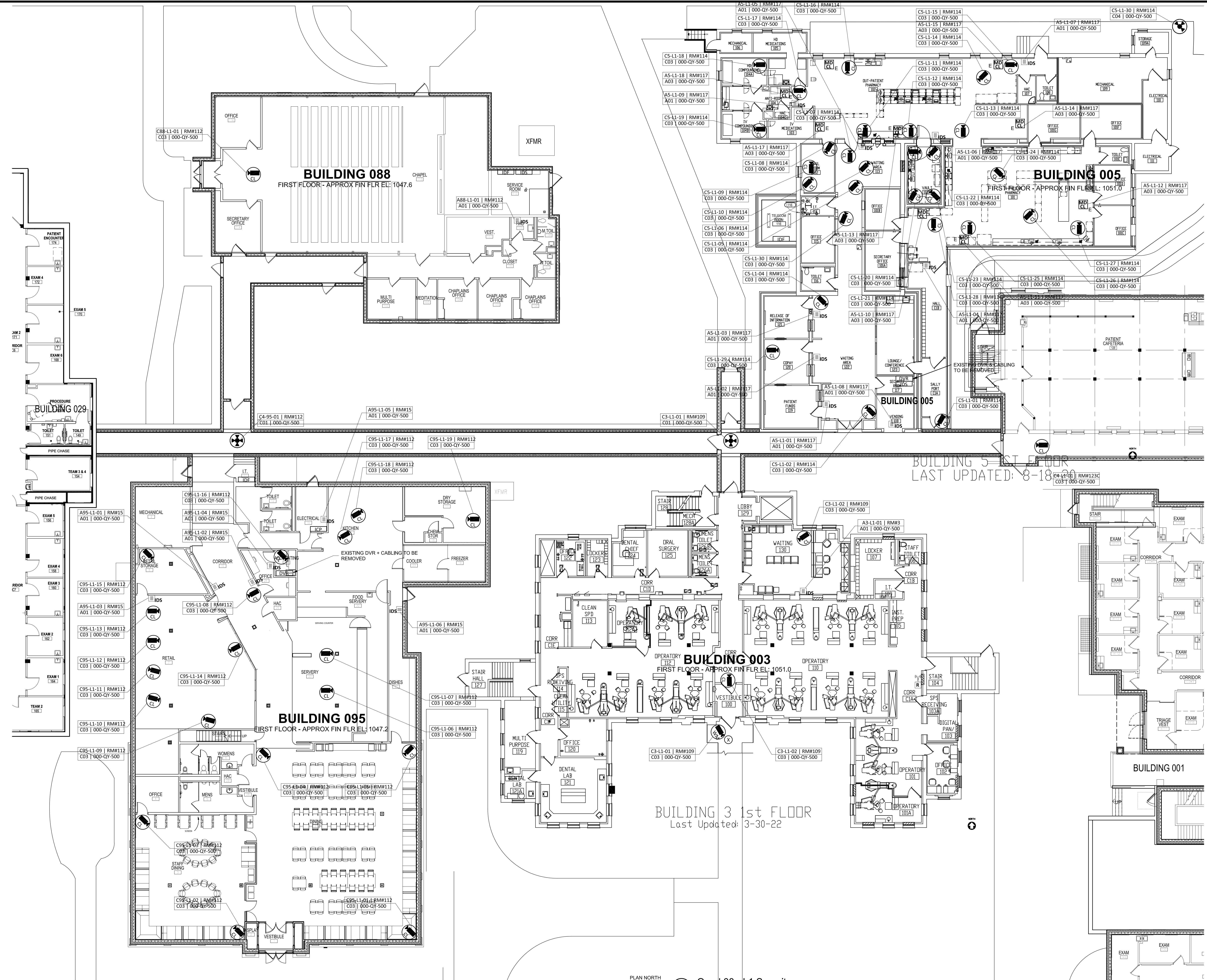
--	--	--	--	--	--	--	--	--	--	--	--	--	--	--	--	--	--	--	--	--

--	--	--	--	--	--	--	--	--	--	--	--	--	--	--	--	--	--	--	--	--	--



Q08-QY-100  
66 OF 81





PLAN NORTH  
 1 Quad 08 - L1 Security  
 3/32" = 1'-0"

BUILDING 5 ST FLOOR  
 LAST UPDATED: 8-18-20

BUILDING 3 1st FLOOR  
 Last Updated: 3-30-22

NO	REVISION	DATE

APPROVED: PROJECT COORDINATOR	DATE:	APPROVED: SERVICE LINE DIRECTOR	DATE:	APPROVED: INFECTION CONTROL NURSE	DATE:	DRAWING TITLE	PROJECT TITLE
						<b>SECURITY-DURESS PLAN QUADRANT B LEVEL 1</b>	
APPROVED: GEMS COORDINATOR	DATE:	APPROVED: PATIENT SAFETY	DATE:	APPROVED: ASSOCIATE HEALTH CARE SYSTEM DIRECTOR	DATE:		
APPROVED: PROJECTS SECTION MANAGER	DATE:	APPROVED: CHIEF OF POLICE	DATE:	APPROVED: CHIEF OF STAFF	DATE:		
APPROVED: DIRECTOR FMS	DATE:	APPROVED: SAFETY MANAGER	DATE:	APPROVED: HEALTH CARE SYSTEM DIRECTOR	DATE:		

**CONSTRUCTION SET**

PLAT SCALE: 3/32" = 1'-0"  
 PROJECT NO:  

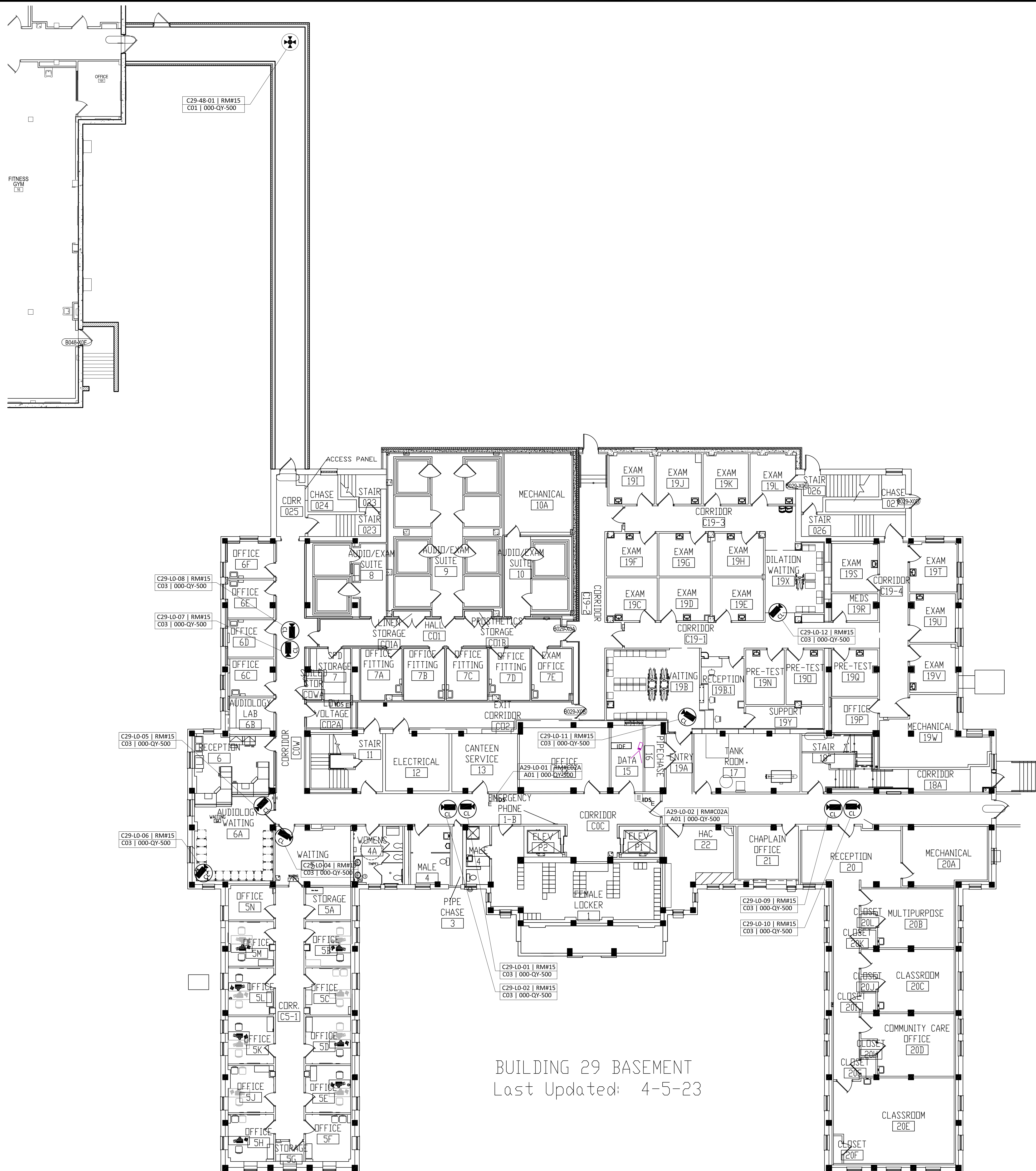
BUILDING NO	CHECKED BY	DRAWN BY
	JZ	CM

LOCATION: VA MEDICAL CENTER  
 ST. CLOUD, MN 56303

DATE: 08-QY-101  
 DWG. 66 OF 81

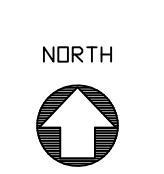
**U.S. Department of Veterans Affairs**  
 Veterans Health Administration  
 St. Cloud VA Health Care System





BUILDING 29 BASEMENT  
Last Updated: 4-5-23

1 Quad 09 - L0 Security  
3/32" = 1'-0"





**CONSTRUCTION SET**

NO	REVISION	DATE
1	CONSTRUCTION SET	01/20/20

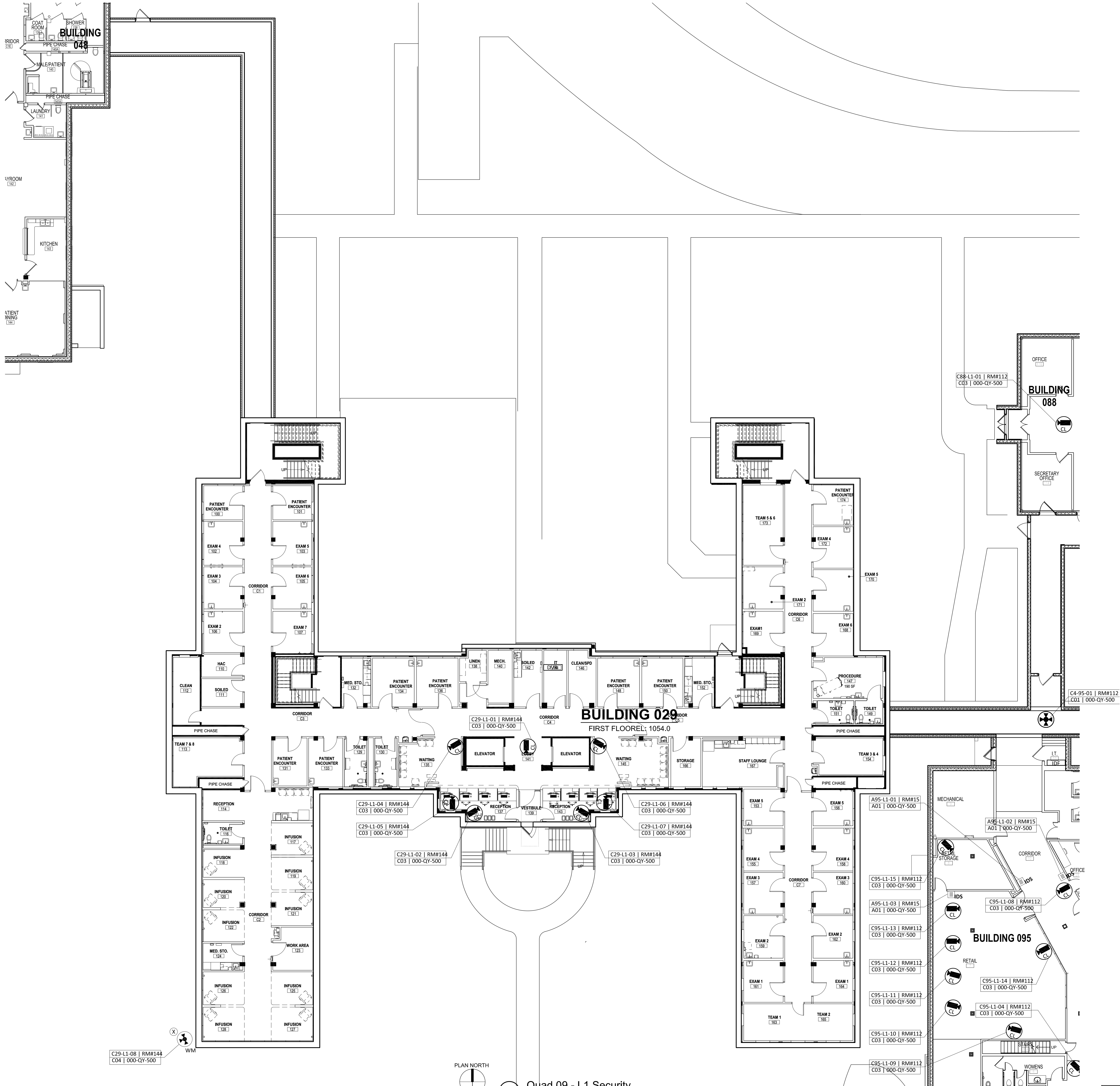
APPROVED: PROJECT COORDINATOR	DATE:	APPROVED: SERVICE LINE DIRECTOR	DATE:	APPROVED: INFECTION CONTROL NURSE	DATE:
APPROVED: GENM COORDINATOR	DATE:	APPROVED: PATIENT SAFETY	DATE:	APPROVED: ASSOCIATE HEALTH CARE SYSTEM DIRECTOR	DATE:
APPROVED: PROJECTS SECTION MANAGER	DATE:	APPROVED: CHIEF OF POLICE	DATE:	APPROVED: CHIEF OF STAFF	DATE:
APPROVED: DIRECTOR FMS	DATE:	APPROVED: SAFETY MANAGER	DATE:	APPROVED: HEALTH CARE SYSTEM DIRECTOR	DATE:

DRAWING TITLE <b>SECURITY-DURESS PLAN QUADRANT 9 LEVEL 0</b>		PROJECT TITLE	
APPROVED: ASSOCIATE HEALTH CARE SYSTEM DIRECTOR		PROJECT NO.	
BUILDING NO.	CHECKED BY	DRAWN	DATE
VA MEDICAL CENTER	JZ	CM	
ST. CLOUD, MN 56303			
DRAWING NO. <b>Q09-QY-100</b>		SHEET NO. 68 OF 81	

**U.S. Department of Veterans Affairs**  
Veterans Health Administration  
St. Cloud VA Health Care System





PLAN NORTH  
 1 Quad 09 - L1 Security  
 3/32" = 1'-0"

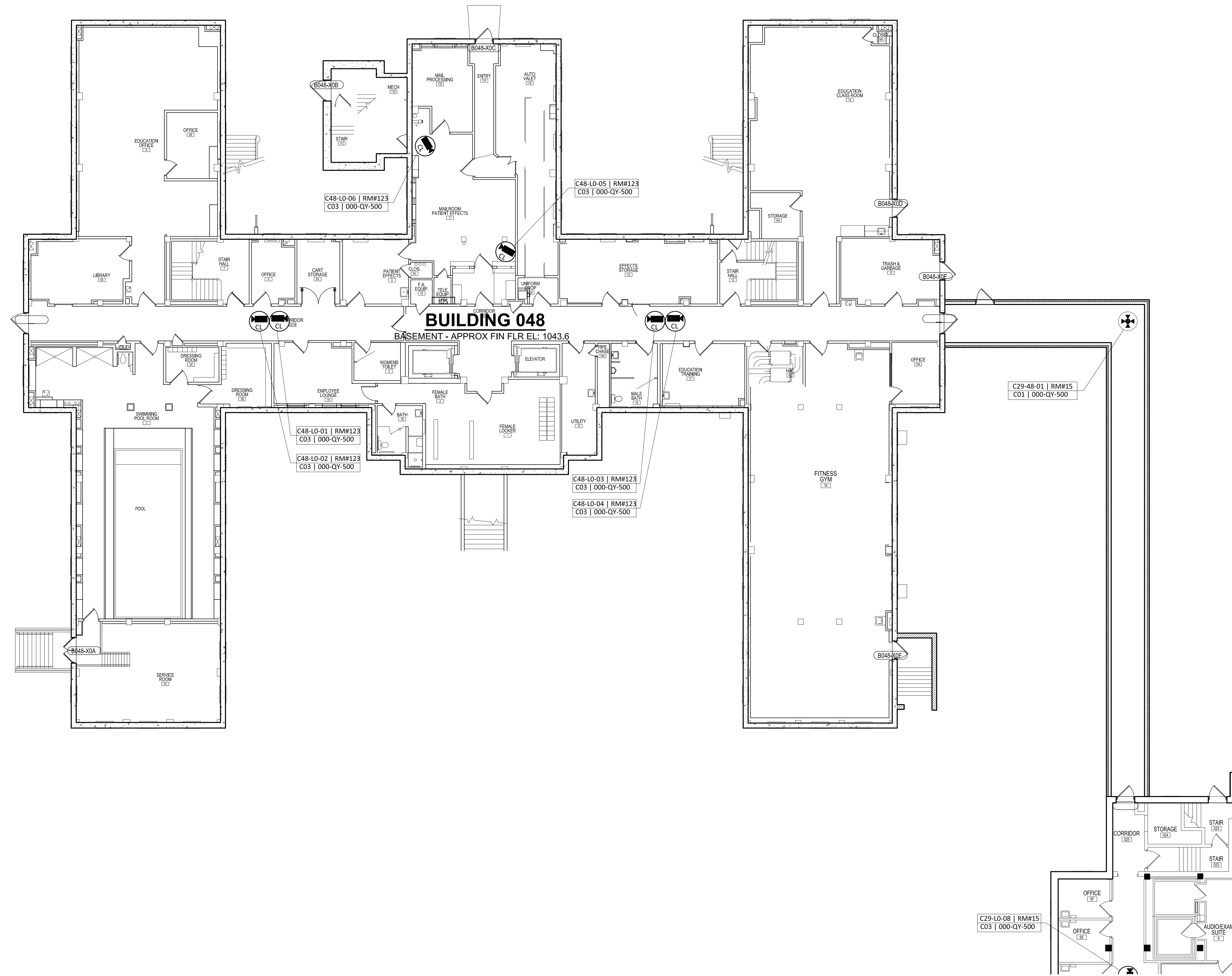
**CONSTRUCTION SET**

NO	REVISION	DATE
1	CONSTRUCTION SET	01/20/20

APPROVED: PROJECT COORDINATOR	DATE:	APPROVED: SERVICE LINE DIRECTOR	DATE:	APPROVED: INFECTION CONTROL NURSE	DATE:	DRAWING: SECURITY-DURESS PLAN QUADRANT 9 LEVEL 1	PROJECT TITLE:
APPROVED: GEMS COORDINATOR	DATE:	APPROVED: PATIENT SAFETY	DATE:	APPROVED: CHIEF OF STAFF	DATE:	APPROVED: ASSOCIATE HEALTH CARE SYSTEM DIRECTOR	BUILDING NO.:
APPROVED: PROJECTS SECTION MANAGER	DATE:	APPROVED: CHIEF OF POLICE	DATE:	APPROVED: HEALTH CARE SYSTEM DIRECTOR	DATE:	APPROVED: CHIEF OF POLICE	CHECKED BY: JZ
APPROVED: DIRECTOR PMS	DATE:	APPROVED: SAFETY MANAGER	DATE:			APPROVED: CHIEF OF POLICE	DRAWN CM
							LOCATION: VA MEDICAL CENTER ST. CLOUD, MN 56303
							DRAWING: Q09-QY-101 DWG. 09 OF 81







PLAN NORTH  
 1 Quad 10 - L0 Security  
 3/32" = 1'-0"

**CONSTRUCTION SET**

NO	REVISION	DATE
1	CONSTRUCTION SET	01/20/20

APPROVED: PROJECT COORDINATOR	DATE:	APPROVED: SERVICE LINE DIRECTOR	DATE:	APPROVED: INFECTION CONTROL NURSE	DATE:
APPROVED: DEHS COORDINATOR	DATE:	APPROVED: PATIENT SAFETY	DATE:	APPROVED: ASSOCIATE HEALTH CARE SYSTEM DIRECTOR	DATE:
APPROVED: PROJECTS SECTION MANAGER	DATE:	APPROVED: CHIEF OF POLICE	DATE:	APPROVED: CHIEF OF STAFF	DATE:
APPROVED: DIRECTOR FMS	DATE:	APPROVED: SAFETY MANAGER	DATE:	APPROVED: HEALTH CARE SYSTEM DIRECTOR	DATE:

DRAWING TITLE <b>SECURITY-DURESS PLAN QUADRANT 10 LEVEL 0</b>			PROJECT TITLE		
APPROVED: HEALTH CARE SYSTEM DIRECTOR			BUILDING NO.		
APPROVED: CHIEF OF STAFF			CHECKED BY		
APPROVED: PATIENT SAFETY			DRAWN		
APPROVED: CHIEF OF POLICE			CM		
APPROVED: ASSOCIATE HEALTH CARE SYSTEM DIRECTOR			DRAWN BY		
APPROVED: PROJECTS SECTION MANAGER			PROJECT NO.		
APPROVED: SERVICE LINE DIRECTOR			DRAWING NO.		
APPROVED: INFECTION CONTROL NURSE			PROJECT NO.		
APPROVED: DEHS COORDINATOR			DRAWING NO.		
APPROVED: DIRECTOR FMS			PROJECT NO.		

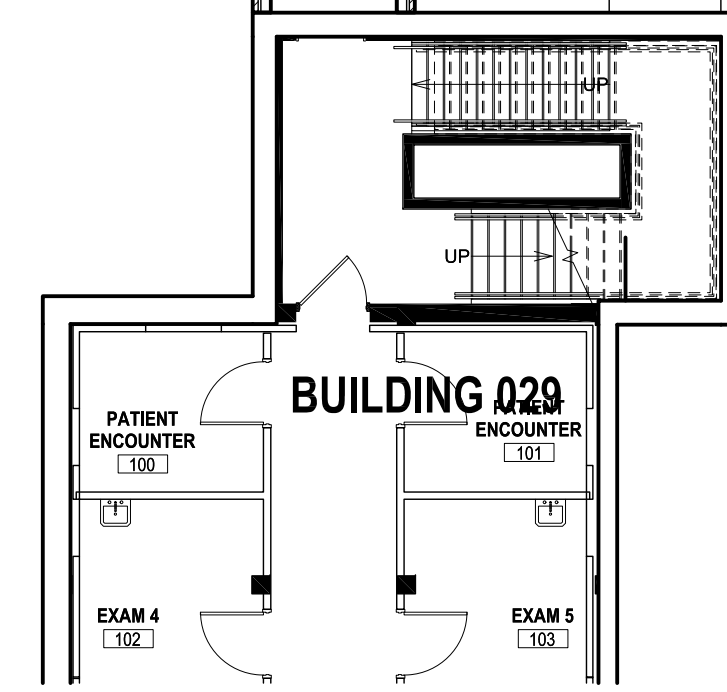
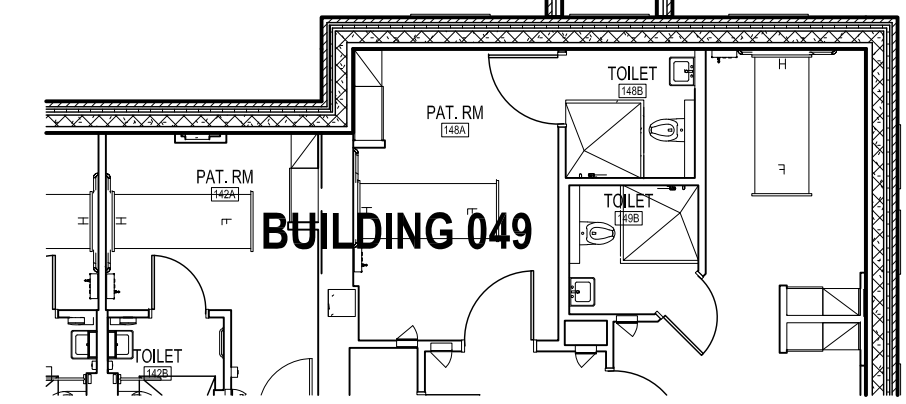
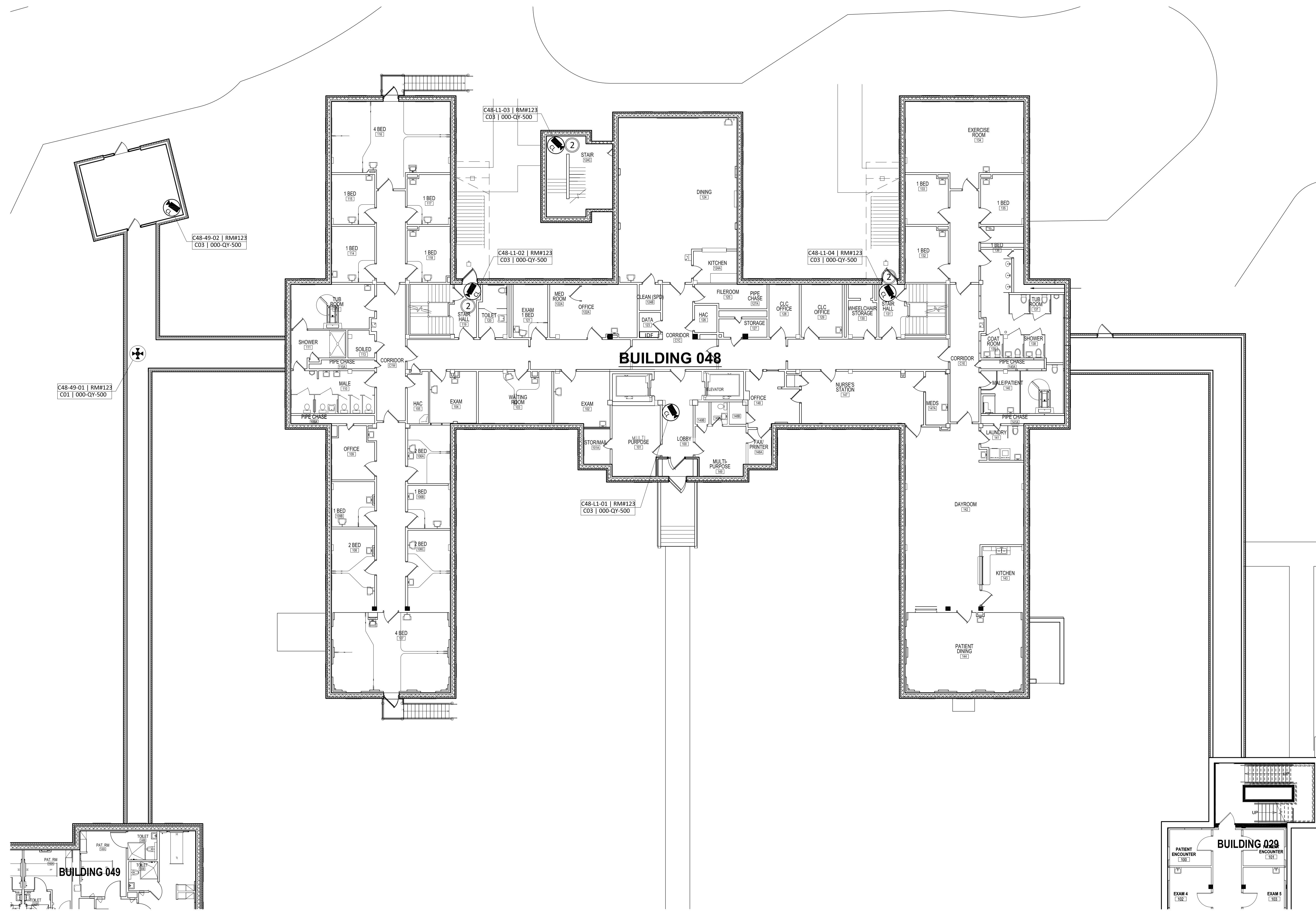
**VA**

**U.S. Department of Veterans Affairs**  
 Veterans Health Administration  
 St. Cloud VA Health Care System

LOCATION: VA MEDICAL CENTER  
 ST. CLOUD, MN 56303

DWG. 79 OF 81





PLAN NORTH  
 1 Quad 10 - L1 Security  
 3/32" = 1'-0"

**CONSTRUCTION SET**

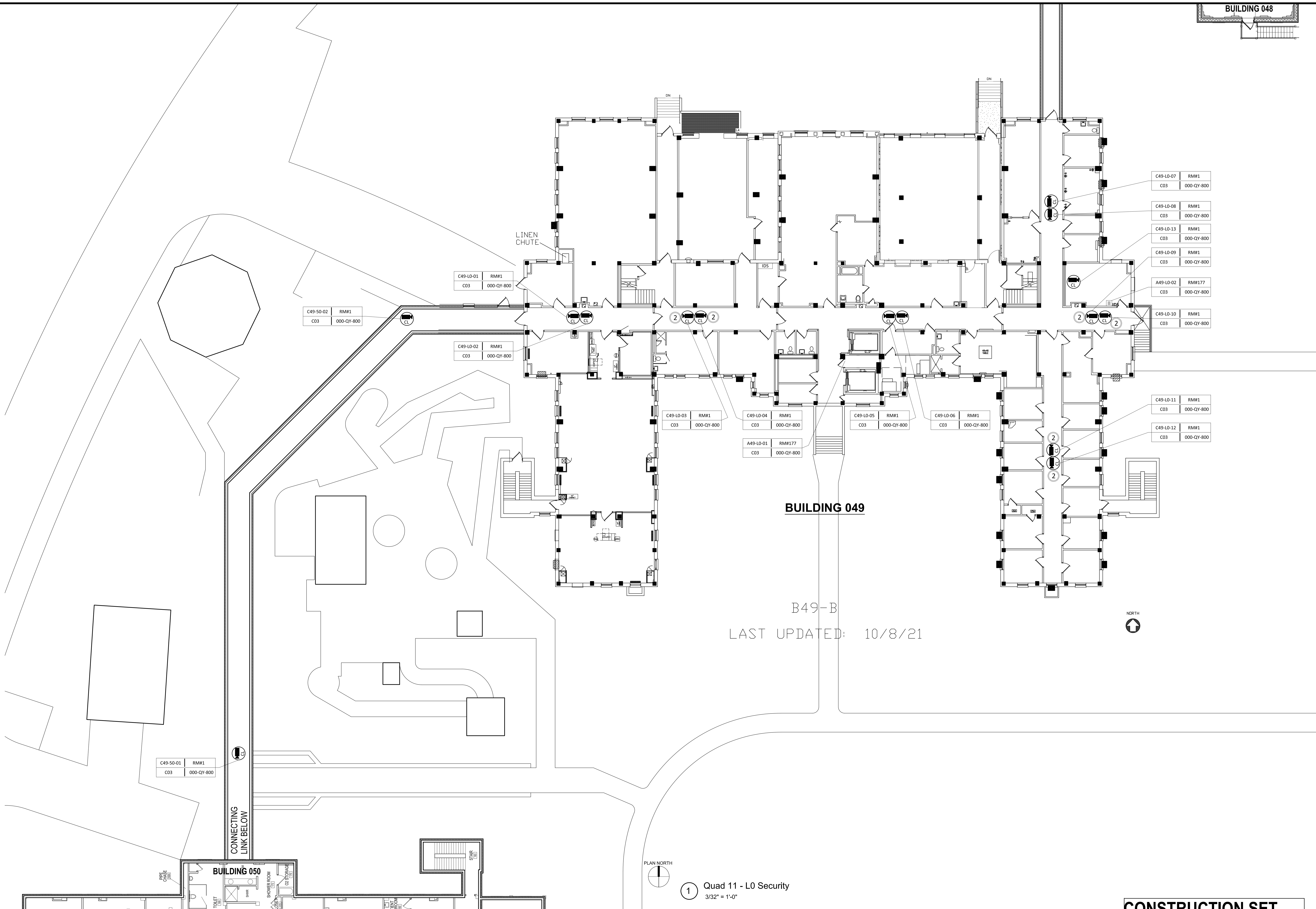
NO.	REVISION	DATE
1	CONSTRUCTION SET	01/20/20

APPROVED: PROJECT COORDINATOR	DATE:	APPROVED: SERVICE LINE DIRECTOR	DATE:	APPROVED: INFECTION CONTROL NURSE	DATE:
APPROVED: GEMS COORDINATOR	DATE:	APPROVED: PROJECTS SECTION MANAGER	DATE:	APPROVED: CHIEF OF POLICE	DATE:
APPROVED: DIRECTOR PMS	DATE:	APPROVED: SAFETY MANAGER	DATE:	APPROVED: HEALTH CARE SYSTEM DIRECTOR	DATE:

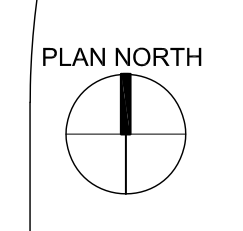
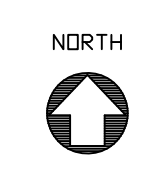
DRAWING TITLE: SECURITY-DURESS PLAN QUADRANT 1 LEVEL 1		PROJECT NO.:	
APPROVED: ASSOCIATE HEALTH CARE SYSTEM DIRECTOR		DRAWING NO.:	
APPROVED: CHIEF OF STAFF	DATE:	LOCATION: VA MEDICAL CENTER ST. CLOUD, MN 56303	DRAWING: Q10-QY-101 DWG. 71 OF 81

**U.S. Department of Veterans Affairs**  
 Veterans Health Administration  
 St. Cloud VA Health Care System





**BUILDING 049**  
B49-B  
LAST UPDATED: 10/8/21



1 Quad 11 - L0 Security  
3/32" = 1'-0"

C49-S0-01 RM#1  
C03 000-QY-800

C49-S0-02 RM#1  
C03 000-QY-800

C49-L0-01 RM#1  
C03 000-QY-800

C49-L0-02 RM#1  
C03 000-QY-800

C49-L0-03 RM#1  
C03 000-QY-800

C49-L0-04 RM#1  
C03 000-QY-800

C49-L0-05 RM#1  
C03 000-QY-800

C49-L0-06 RM#1  
C03 000-QY-800

A49-L0-01 RM#177  
C03 000-QY-800

C49-L0-07 RM#1  
C03 000-QY-800

C49-L0-08 RM#1  
C03 000-QY-800

C49-L0-13 RM#1  
C03 000-QY-800

C49-L0-09 RM#1  
C03 000-QY-800

A49-L0-02 RM#177  
C03 000-QY-800

C49-L0-10 RM#1  
C03 000-QY-800

C49-L0-11 RM#1  
C03 000-QY-800

C49-L0-12 RM#1  
C03 000-QY-800

**BUILDING 050**

PIPE CHASE

CONNECTING LINK BELOW

TOILET

SHOWER ROOM

CARE

TOILET

STAIR

NO	REVISION	DATE
1	CONSTRUCTION SET	01/20/20

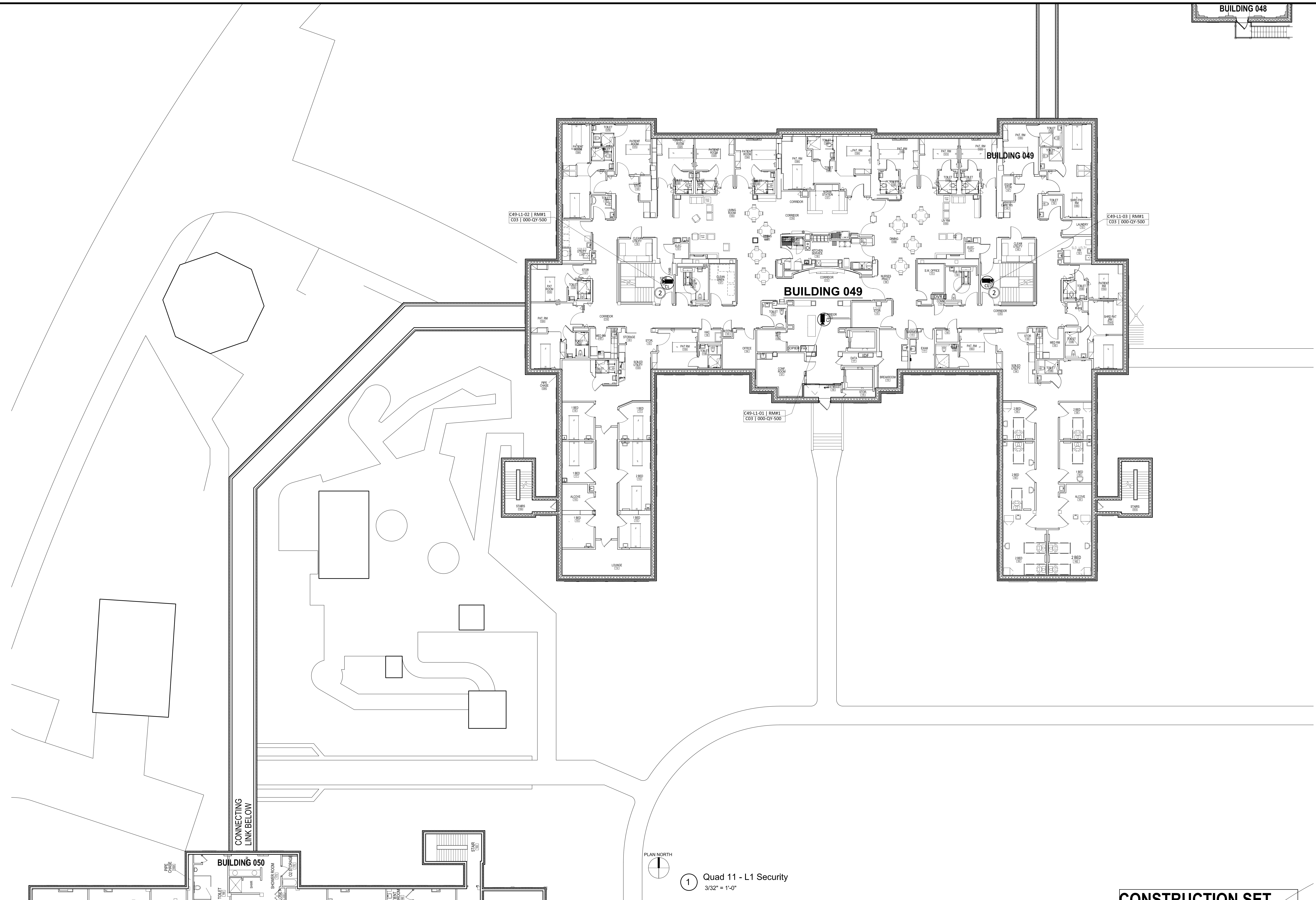
APPROVED: PROJECT COORDINATOR	DATE:	APPROVED: SERVICE LINE DIRECTOR	DATE:	APPROVED: INFECTION CONTROL NURSE	DATE:	DRAWING TITLE: SECURITY-DURESS PLAN QUADRANT 1 LEVEL 1	PROJECT NO.:
APPROVED: GEMS COORDINATOR	DATE:	APPROVED: PATIENT SAFETY	DATE:	APPROVED: ASSOCIATE HEALTH CARE SYSTEM DIRECTOR	DATE:	BUILDING NO.:	CHECKED BY: JZ
APPROVED: PROJECTS SECTION MANAGER	DATE:	APPROVED: CHIEF OF POLICE	DATE:	APPROVED: CHIEF OF STAFF	DATE:	DRAWN BY: CM	DRAWING NO.:
APPROVED: DIRECTOR PMS	DATE:	APPROVED: SAFETY MANAGER	DATE:	APPROVED: HEALTH CARE SYSTEM DIRECTOR	DATE:	LOCATION: VA MEDICAL CENTER ST. CLOUD, MN 56303	DRAWING: Q11-QY-100 DWG. 74 OF 81

**CONSTRUCTION SET**





BUILDING 048



NO.	REVISION	DATE
1	CONSTRUCTION SET	01/20/20

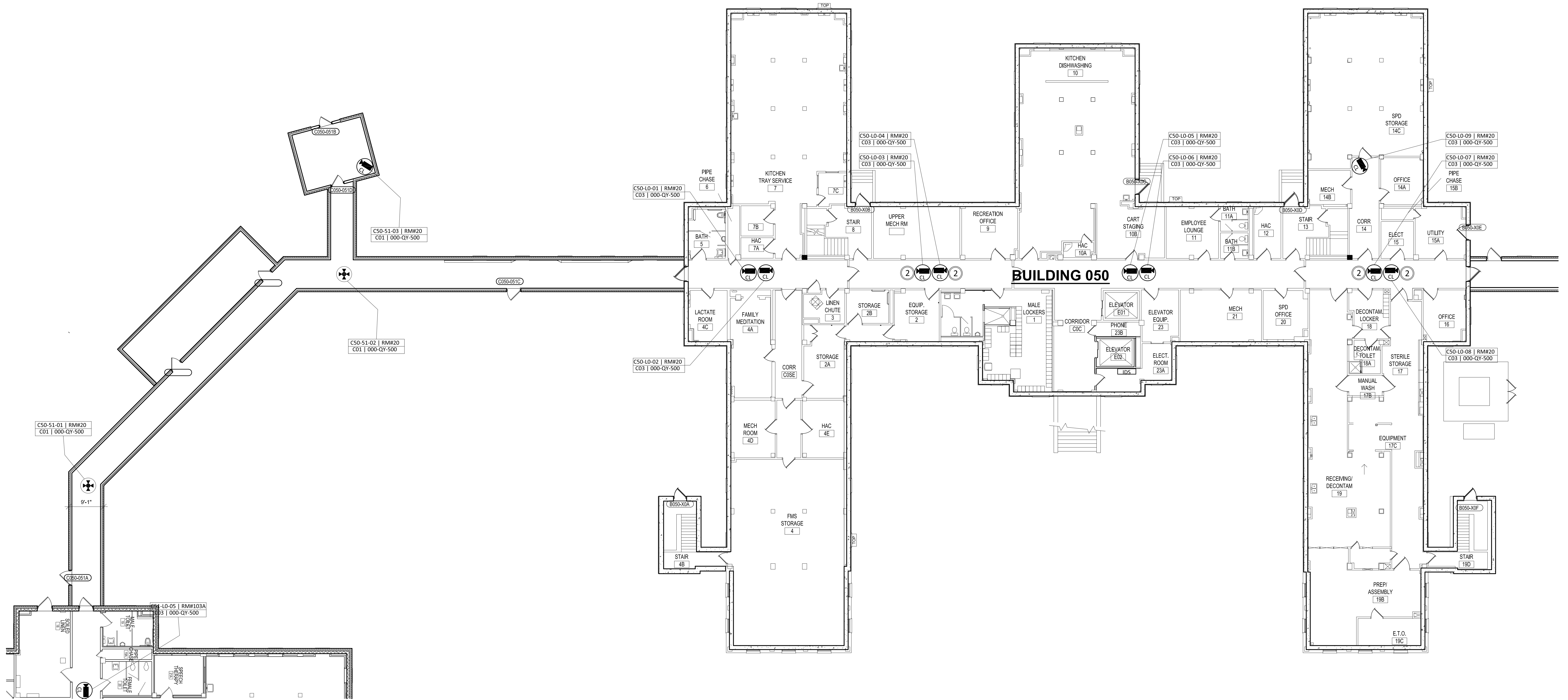
APPROVED: PROJECT COORDINATOR	DATE:	APPROVED: SERVICE LINE DIRECTOR	DATE:	APPROVED: INFECTION CONTROL NURSE	DATE:	DRAWING TITLE	PROJECT TITLE
		APPROVED: GEMS COORDINATOR	DATE:	APPROVED: PATIENT SAFETY	DATE:	'SECURITY-DURESS PLAN QUADRANT 1 LEVEL 1	FLDT SCALE = 1/4"
		APPROVED: PROJECTS SECTION MANAGER	DATE:	APPROVED: CHIEF OF POLICE	DATE:	APPROVED: ASSOCIATE HEALTH CARE SYSTEM DIRECTOR	PROJECT NO.
		APPROVED: DIRECTOR PMS	DATE:	APPROVED: SAFETY MANAGER	DATE:	APPROVED: CHIEF OF STAFF	BUILDING NO.
						APPROVED: HEALTH CARE SYSTEM DIRECTOR	CHECKED BY: JZ
							DRAWN CM
							LOCATION
							VA MEDICAL CENTER
							ST. CLOUD, MN 56303
							DRAWING NO. Q11-QY-101
							DWG. 74 OF 81

**CONSTRUCTION SET**




**U.S. Department of Veterans Affairs**  
Veterans Health Administration  
St. Cloud VA Health Care System





1 Quad 12 - L0 Security  
3/32" = 1'-0"

**CONSTRUCTION SET**

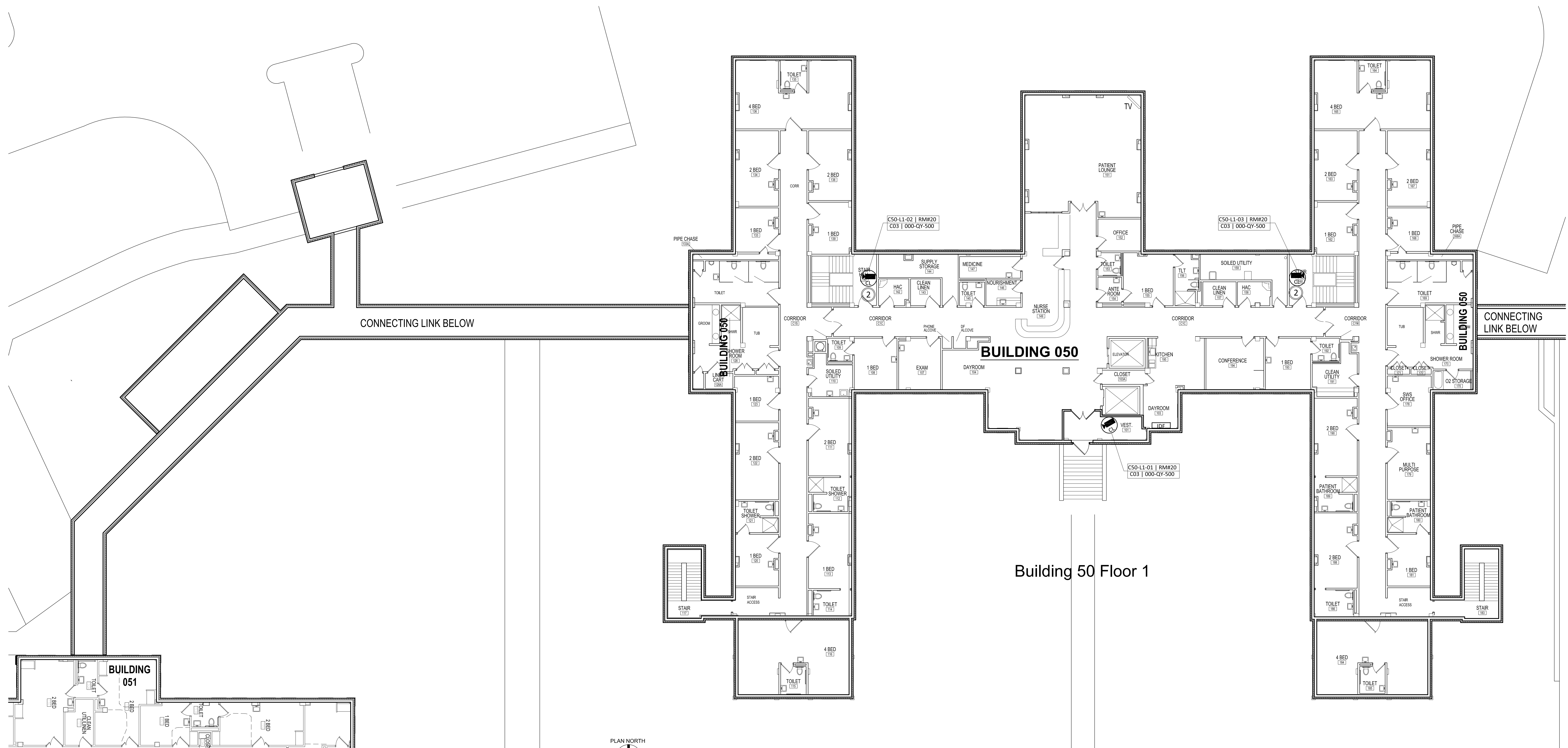
NO	REVISION	DATE

APPROVED: PROJECT COORDINATOR	DATE:	APPROVED: SERVICE LINE DIRECTOR	DATE:	APPROVED: INFECTION CONTROL NURSE	DATE:	DRAWING TITLE: SECURITY-DURESS PLAN QUADRANT 1 LEVEL 0	PROJECT NO.:
APPROVED: GEMS COORDINATOR	DATE:	APPROVED: PATIENT SAFETY	DATE:	APPROVED: ASSOCIATE HEALTH CARE SYSTEM DIRECTOR	DATE:	BUILDING NO.:	PROJECT NO.:
APPROVED: PROJECTS SECTION MANAGER	DATE:	APPROVED: CHIEF OF POLICE	DATE:	APPROVED: CHIEF OF STAFF	DATE:	CHECKED BY: JZ	DRAWN CM:
APPROVED: DIRECTOR PMS	DATE:	APPROVED: SAFETY MANAGER	DATE:	APPROVED: HEALTH CARE SYSTEM DIRECTOR	DATE:	LOCATION: VA MEDICAL CENTER ST. CLOUD, MN 56303	DRAWING NO.:

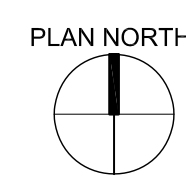
PROJECT NO.:	012-QY-100
DWG. 75 OF 81	

U.S. Department of Veterans Affairs  
Veterans Health Administration  
St. Cloud VA Health Care System





Building 50 Floor 1




1 Quad 12 - L1 Security  
3/32" = 1'-0"

**CONSTRUCTION SET**

NO	REVISION	DATE
1	CONSTRUCTION SET	01/20/20

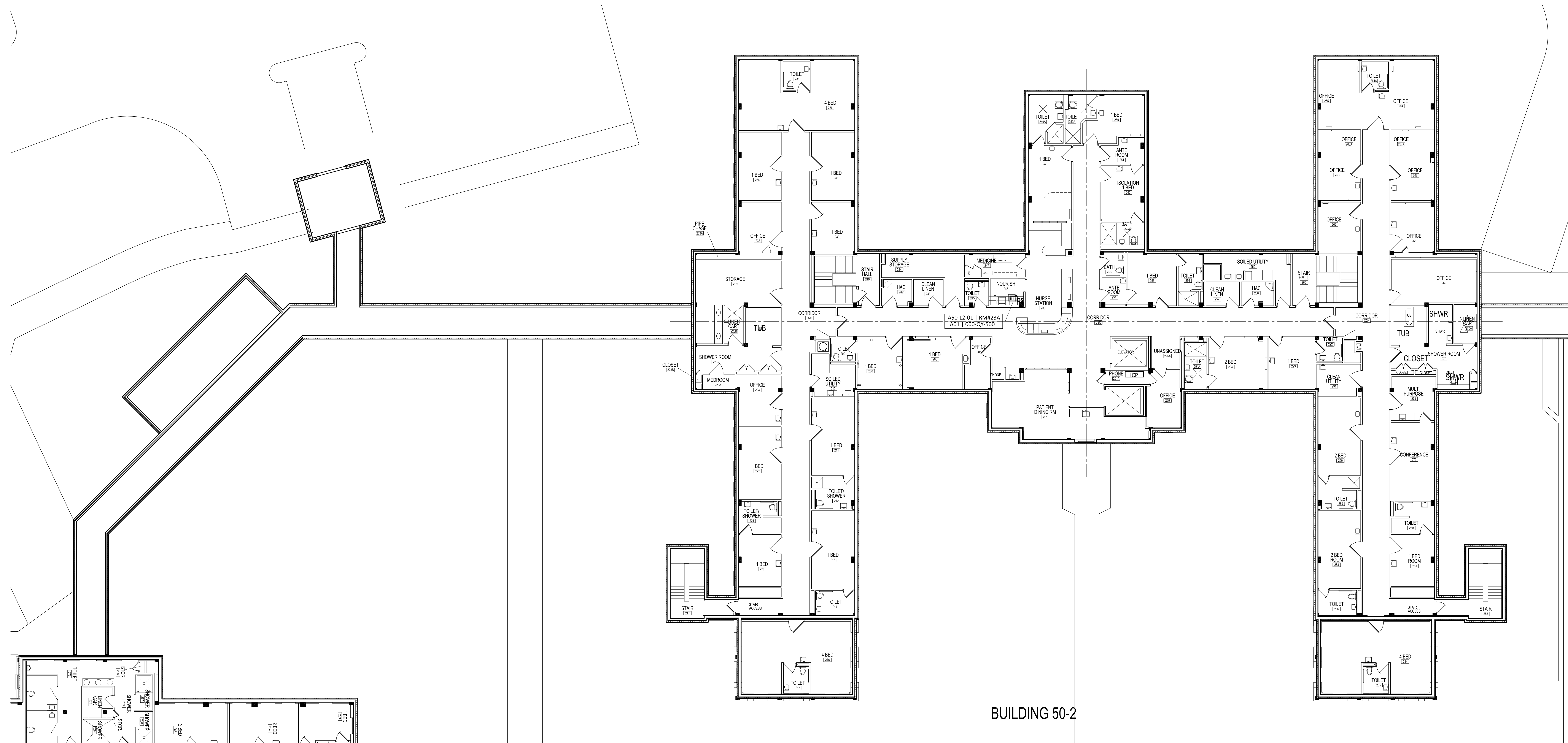
APPROVED: PROJECT COORDINATOR DATE:	APPROVED: SERVICE LINE DIRECTOR DATE:	APPROVED: INFECTION CONTROL NURSE DATE:	DRAWING TITLE: <b>SECURITY-DURESS PLAN QUADRANT 12 LEVEL 1</b>	PROJECT TITLE:
APPROVED: GEIS COORDINATOR DATE:	APPROVED: PATIENT SAFETY DATE:	APPROVED: ASSOCIATE HEALTH CARE SYSTEM DIRECTOR DATE:	PROJECT NO:	PLOT SCALE: 3/32" = 1'-0"
APPROVED: PROJECTS SECTION MANAGER DATE:	APPROVED: CHIEF OF POLICE DATE:	APPROVED: CHIEF OF STAFF DATE:	DRAWING NO.:	CHECKED BY: JZ
APPROVED: DIRECTOR PMS DATE:	APPROVED: SAFETY MANAGER DATE:	APPROVED: HEALTH CARE SYSTEM DIRECTOR DATE:	DRAWN BY: CM	DRAWING NO.:
				<b>Q12-QY-101</b>
				DWG. 79 OF 81

VA 

**U.S. Department of Veterans Affairs**  
Veterans Health Administration  
St. Cloud VA Health Care System

LOCATION:  
VA MEDICAL CENTER  
ST. CLOUD, MN 56303





BUILDING 50-2

PLAN NORTH 
 1 Quad 12 - L2 Security  
 3/32" = 1'-0"

### CONSTRUCTION SET

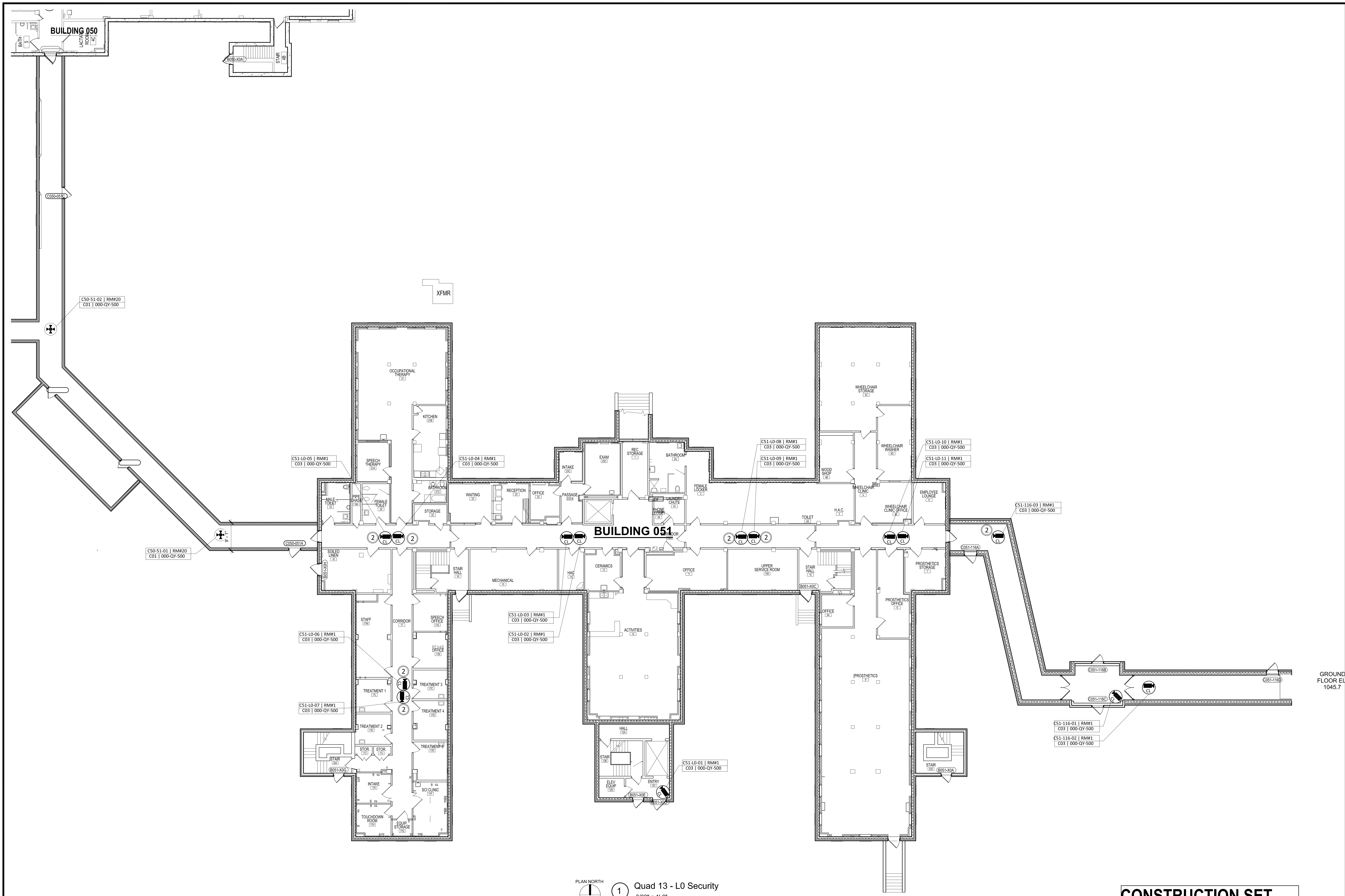
NO.	REVISION	DATE

APPROVED: PROJECT COORDINATOR	DATE:	APPROVED: SERVICE LINE DIRECTOR	DATE:	APPROVED: INFECTION CONTROL NURSE	DATE:	DRAWING TITLE
						SECURITY-DURESS PLAN QUADRANT 12
						LEVEL 2
APPROVED: GEMS COORDINATOR	DATE:	APPROVED: PATIENT SAFETY	DATE:	APPROVED: ASSOCIATE HEALTH CARE SYSTEM DIRECTOR	DATE:	PROJECT TITLE
APPROVED: PROJECTS SECTION MANAGER	DATE:	APPROVED: CHIEF OF POLICE	DATE:	APPROVED: CHIEF OF STAFF	DATE:	BUILDING NO.
APPROVED: DIRECTOR FMS	DATE:	APPROVED: SAFETY MANAGER	DATE:	APPROVED: HEALTH CARE SYSTEM DIRECTOR	DATE:	CHECKED BY
						JZ
						DESIGN BY
						CM

LOCATION	ST. CLOUD, MN 56303	DRAWING NO.	Q12-QY-102
DATE		DWG. NO.	77 OF 81

U.S. Department of Veterans Affairs  
 Veterans Health Administration  
 St. Cloud VA Health Care System





GROUND FLOOR EL 1045.7

PLAN NORTH  
 1 Quad 13 - L0 Security  
 3/32" = 1'-0"

**CONSTRUCTION SET**

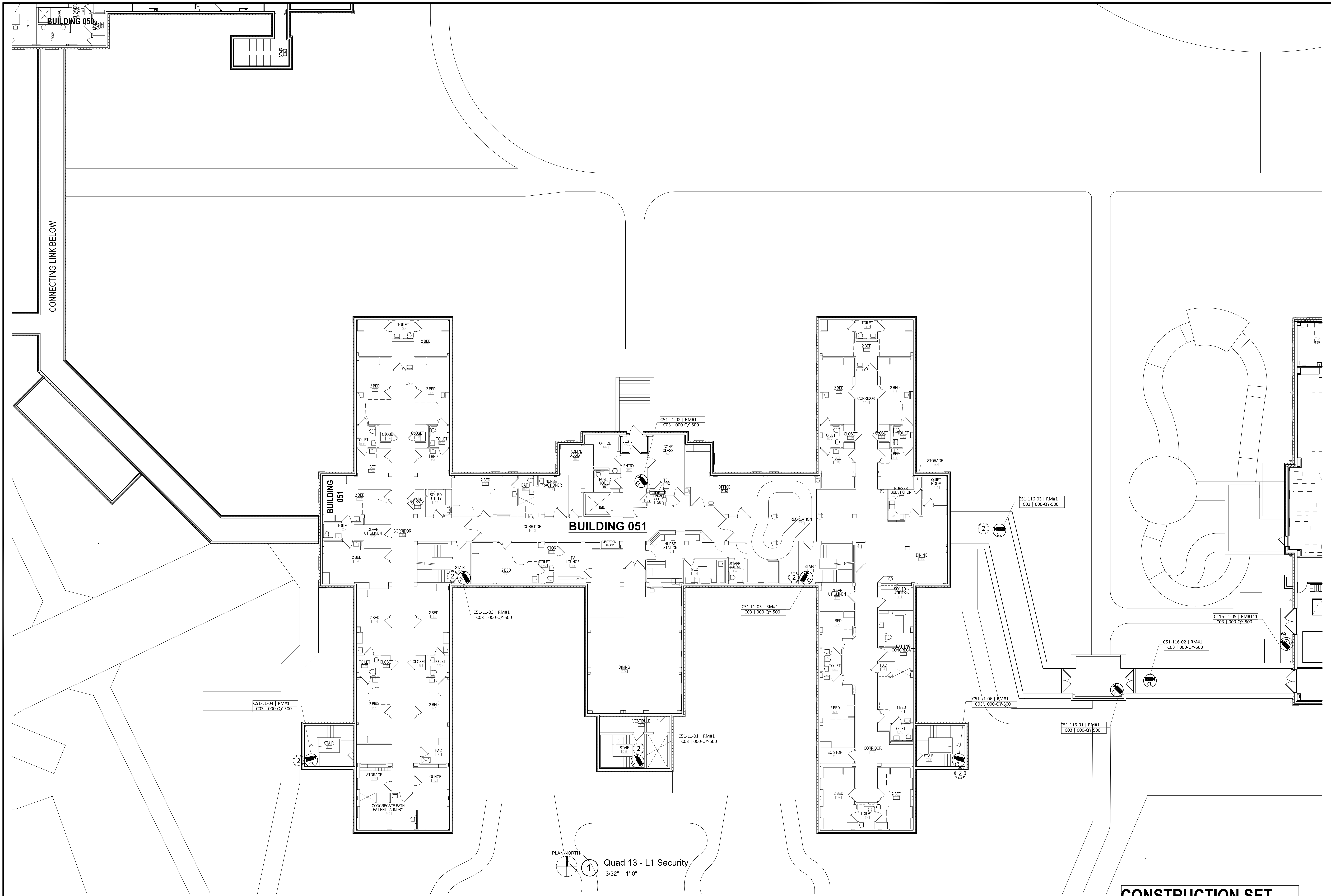
NO	REVISION	DATE
1	CONSTRUCTION SET	01/20/20

APPROVED: PROJECT COORDINATOR	DATE:	APPROVED: SERVICE LINE DIRECTOR	DATE:	APPROVED: INFECTION CONTROL NURSE	DATE:	DRAWING TITLE: <b>SECURITY-DURESS PLAN QUADRANT 1: LEVEL 0</b>	PROJECT TITLE:
APPROVED: ASOCIATE HEALTH CARE SYSTEM DIRECTOR	DATE:	APPROVED: GEMS COORDINATOR	DATE:	APPROVED: PATIENT SAFETY	DATE:	APPROVED: CHIEF OF STAFF	DATE:
APPROVED: DIRECTOR PMS	DATE:	APPROVED: PROJECTS SECTION MANAGER	DATE:	APPROVED: CHIEF OF POLICE	DATE:	APPROVED: HEALTH CARE SYSTEM DIRECTOR	DATE:
		APPROVED: SAFETY MANAGER	DATE:			LOCATION: VA MEDICAL CENTER ST. CLOUD, MN 56303	DRAWING NO: <b>Q13-QY-100</b> DWG. 79 OF 81



**U.S. Department of Veterans Affairs**  
 Veterans Health Administration  
 St. Cloud VA Health Care System





PLAN NORTH  
 1  
 Quad 13 - L1 Security  
 3/32" = 1'-0"

**CONSTRUCTION SET**

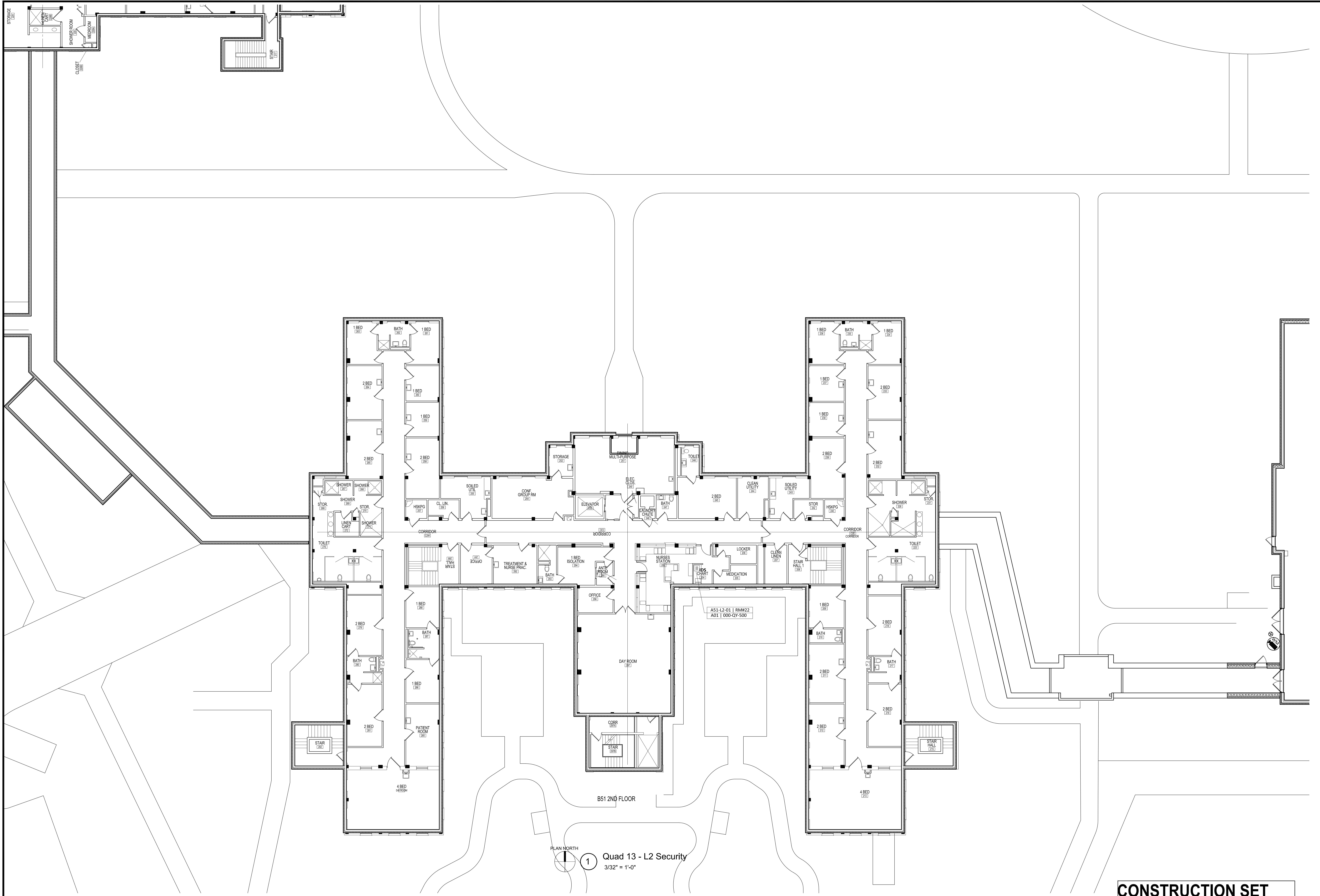
NO.	REVISION	DATE
1	CONSTRUCTION SET	01/20/20

APPROVED: PROJECT COORDINATOR DATE:	APPROVED: SERVICE LINE DIRECTOR DATE:	APPROVED: INFECTION CONTROL NURSE DATE:	DRAWING TITLE <b>SECURITY-DURESS PLAN QUADRANT 1 LEVEL 1</b>	PROJECT TITLE
APPROVED: DENIS COORDINATOR DATE:	APPROVED: PATIENT SAFETY DATE:	APPROVED: ASSOCIATE HEALTH CARE SYSTEM DIRECTOR DATE:	PROJECT NO.	PLANT SCALE 3/32" = 1'-0"
APPROVED: PROJECTS SECTION MANAGER DATE:	APPROVED: CHIEF OF POLICE DATE:	APPROVED: CHIEF OF STAFF DATE:	CHECKED BY JZ	DRAWN BY CM
APPROVED: DIRECTOR FMS DATE:	APPROVED: SAFETY MANAGER DATE:	APPROVED: HEALTH CARE SYSTEM DIRECTOR DATE:	LOCATION VA MEDICAL CENTER ST. CLOUD, MN 56303	DRAWING NO. <b>Q13-QY-101</b> DWG. 79 OF 81

**VA**

**U.S. Department of Veterans Affairs**  
 Veterans Health Administration  
 St. Cloud VA Health Care System





1 Quad 13 - L2 Security  
3/32" = 1'-0"

**CONSTRUCTION SET**

NO.	REVISION	DATE
1	CONSTRUCTION SET	01/20/20

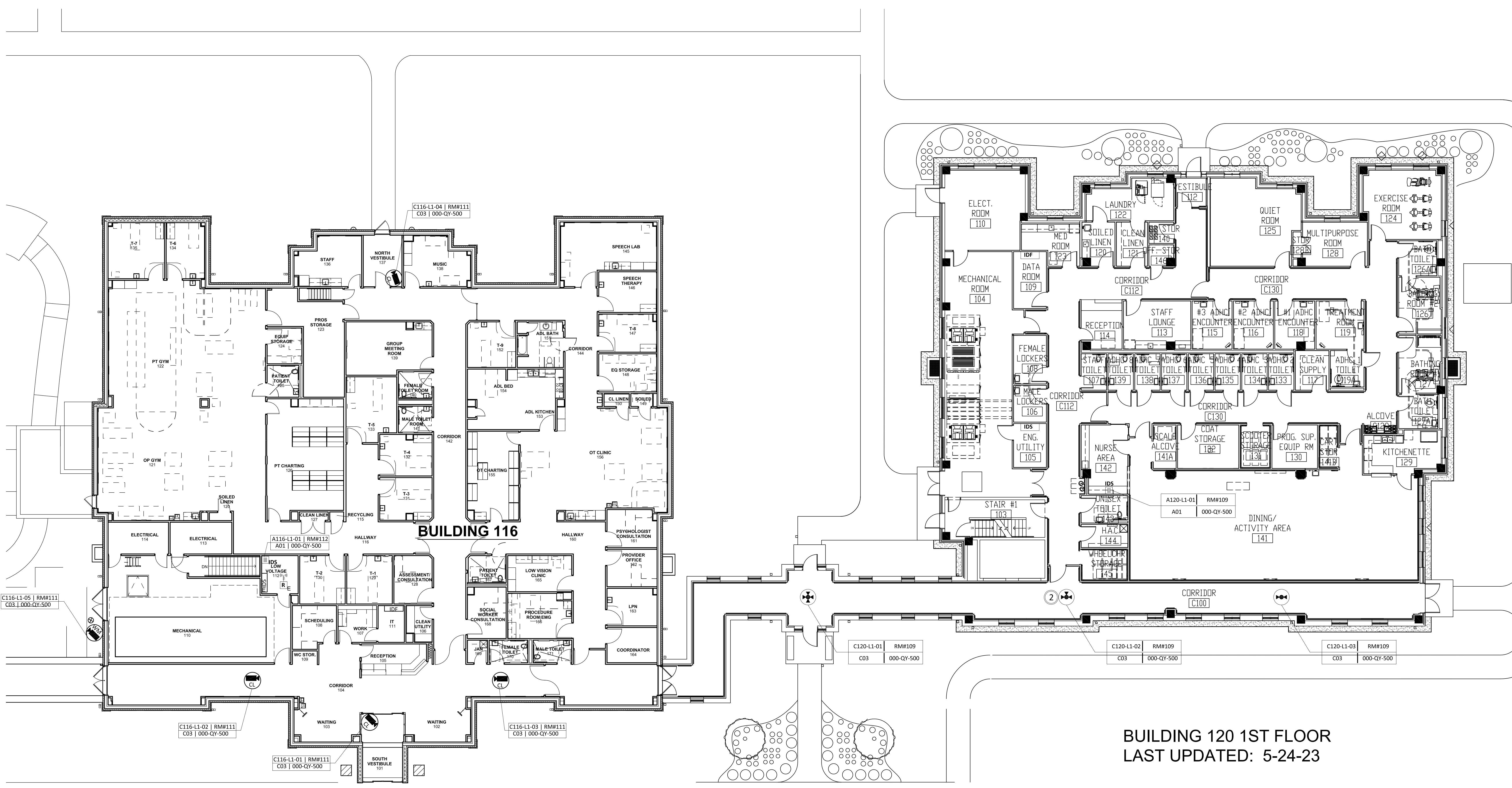
APPROVED: PROJECT COORDINATOR	DATE:	APPROVED: SERVICE LINE DIRECTOR	DATE:	APPROVED: INFECTION CONTROL NURSE	DATE:
APPROVED: DEEMS COORDINATOR	DATE:	APPROVED: PATIENT SAFETY	DATE:	APPROVED: ASSOCIATE HEALTH CARE SYSTEM DIRECTOR	DATE:
APPROVED: PROJECTS SECTION MANAGER	DATE:	APPROVED: CHIEF OF POLICE	DATE:	APPROVED: CHIEF OF STAFF	DATE:
APPROVED: DIRECTOR FMS	DATE:	APPROVED: SAFETY MANAGER	DATE:	APPROVED: HEALTH CARE SYSTEM DIRECTOR	DATE:

DRAWING TITLE <b>SECURITY-DURESS PLAN QUADRANT 1 LEVEL 2</b>				PROJECT TITLE	
APPROVED: CHIEF OF STAFF				BUILDING NO.	CHECKED BY
APPROVED: HEALTH CARE SYSTEM DIRECTOR				ST. CLOUD, MN 56303	CM
DRAWING NO. Q13-QY-102				SHEET NO. 02 OF 81	

**VA** U.S. Department of Veterans Affairs  
Veterans Health Administration  
St. Cloud VA Health Care System







**BUILDING 120 1ST FLOOR**  
 LAST UPDATED: 5-24-23

PLAN NORTH  
 1 Quad 14 - L1 Security  
 3/32" = 1'-0"

**CONSTRUCTION SET**

NO	REVISION	DATE
1	CONSTRUCTION SET	01/20/20

APPROVED: PROJECT COORDINATOR	DATE:	APPROVED: SERVICE LINE DIRECTOR	DATE:	APPROVED: INFECTION CONTROL NURSE	DATE:	DRAWING: SECURITY-DURESS PLAN QUADRANT 1 LEVEL 1
APPROVED: GEMS COORDINATOR	DATE:	APPROVED: PATIENT SAFETY	DATE:	APPROVED: ASSOCIATE HEALTH CARE SYSTEM DIRECTOR	DATE:	PROJECT TITLE:
APPROVED: PROJECTS SECTION MANAGER	DATE:	APPROVED: CHIEF OF STAFF	DATE:	APPROVED: CHIEF OF STAFF	DATE:	BUILDING NO.:
APPROVED: DIRECTOR PMS	DATE:	APPROVED: SAFETY MANAGER	DATE:	APPROVED: HEALTH CARE SYSTEM DIRECTOR	DATE:	CHECKED BY: JZ
						DRAWN CM
						LOCATION: VA MEDICAL CENTER ST. CLOUD, MN 56303
						DRAWING: 014-QY-101 DWS: 01 OF 01

