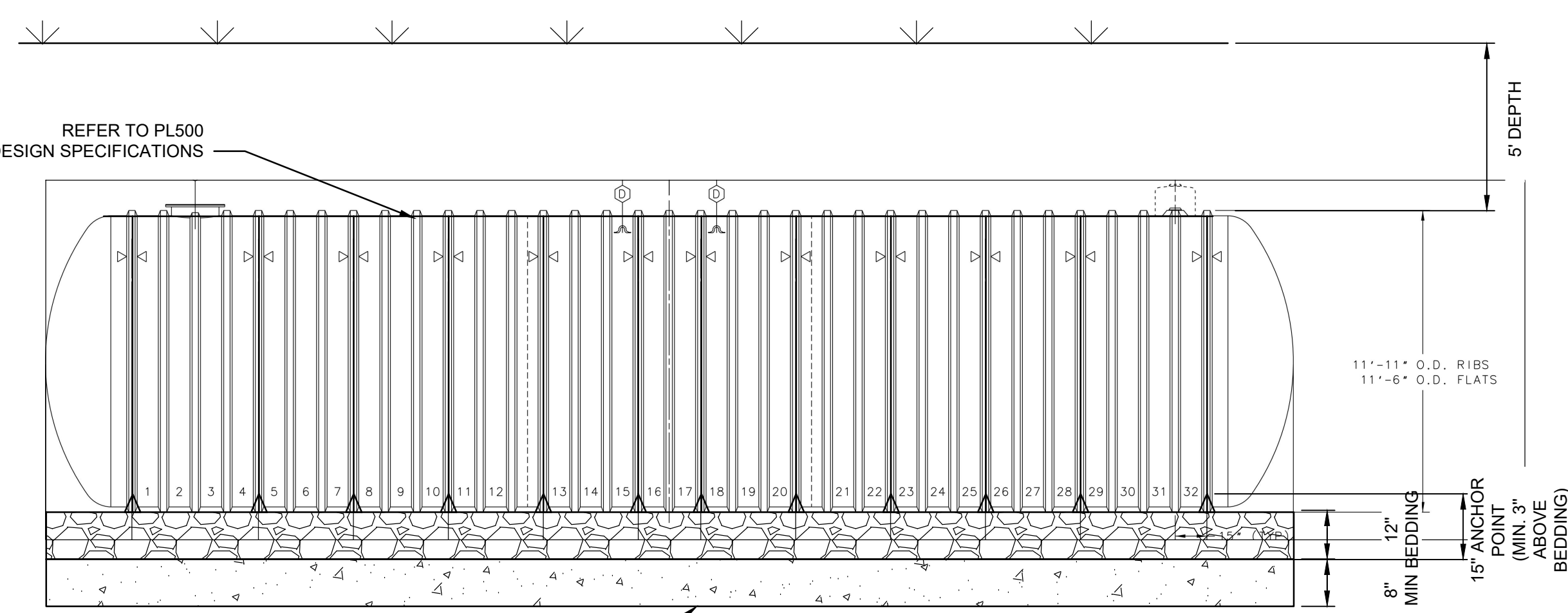


NOTES:
1. TANKS TO BE INSTALLED PER MANUFACTURERS RECOMMENDATIONS AND PROCEDURES.

CONCRETE SLAB
58' X 15' X 8"

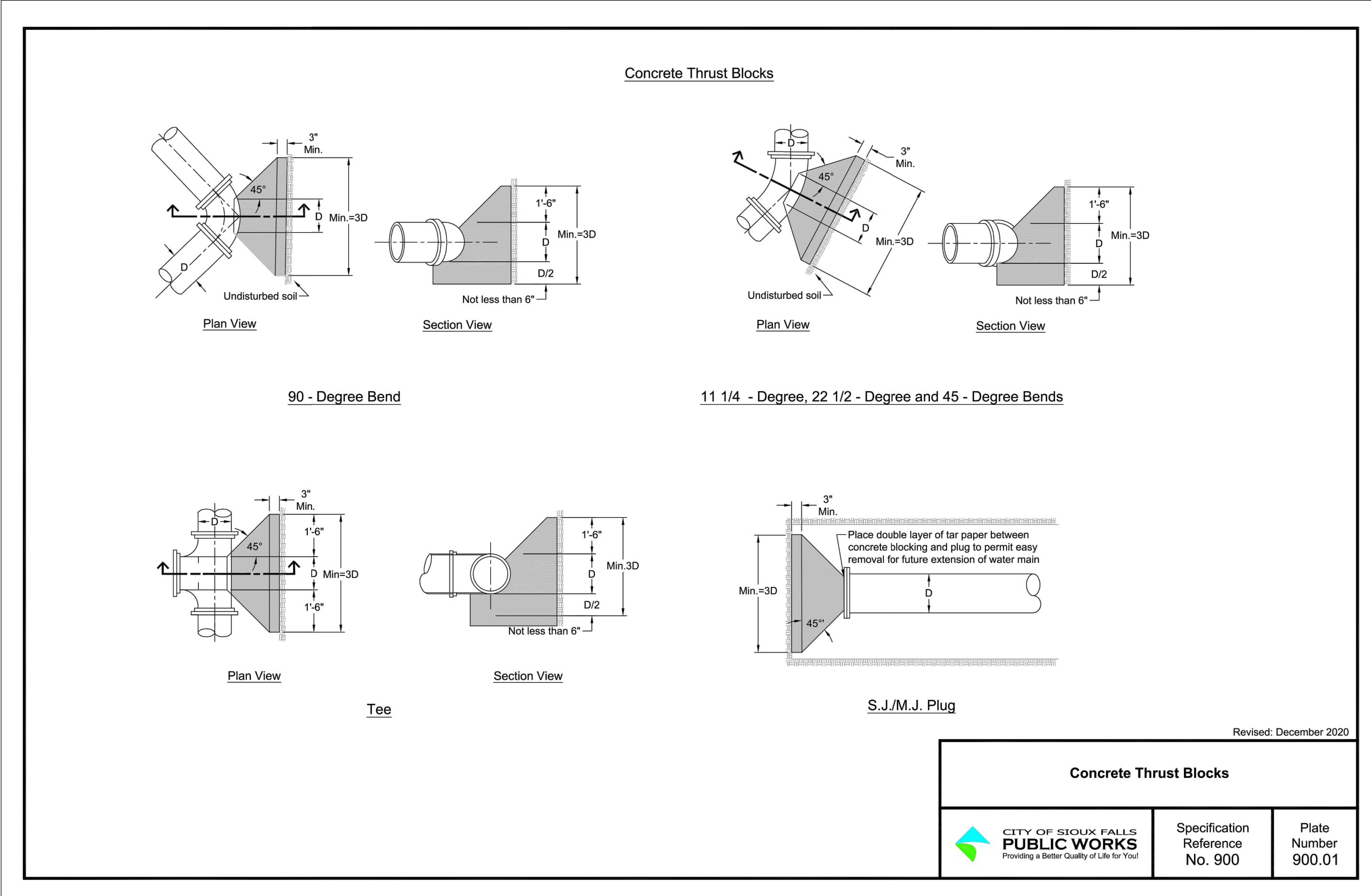
B1 WATER TANK - 40,000 GALLONS
NTS

D1 NOT USED ON SHEET
NTS



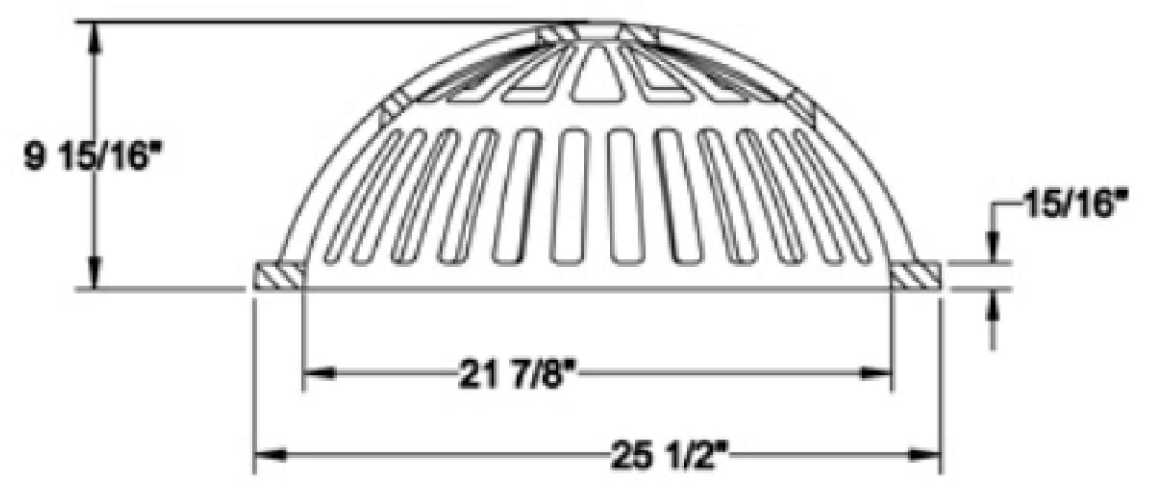
NOTES:
1. TANKS TO BE INSTALLED PER MANUFACTURERS RECOMMENDATIONS AND PROCEDURES.

F1 FUEL TANK - 40,000 GALLONS
NTS

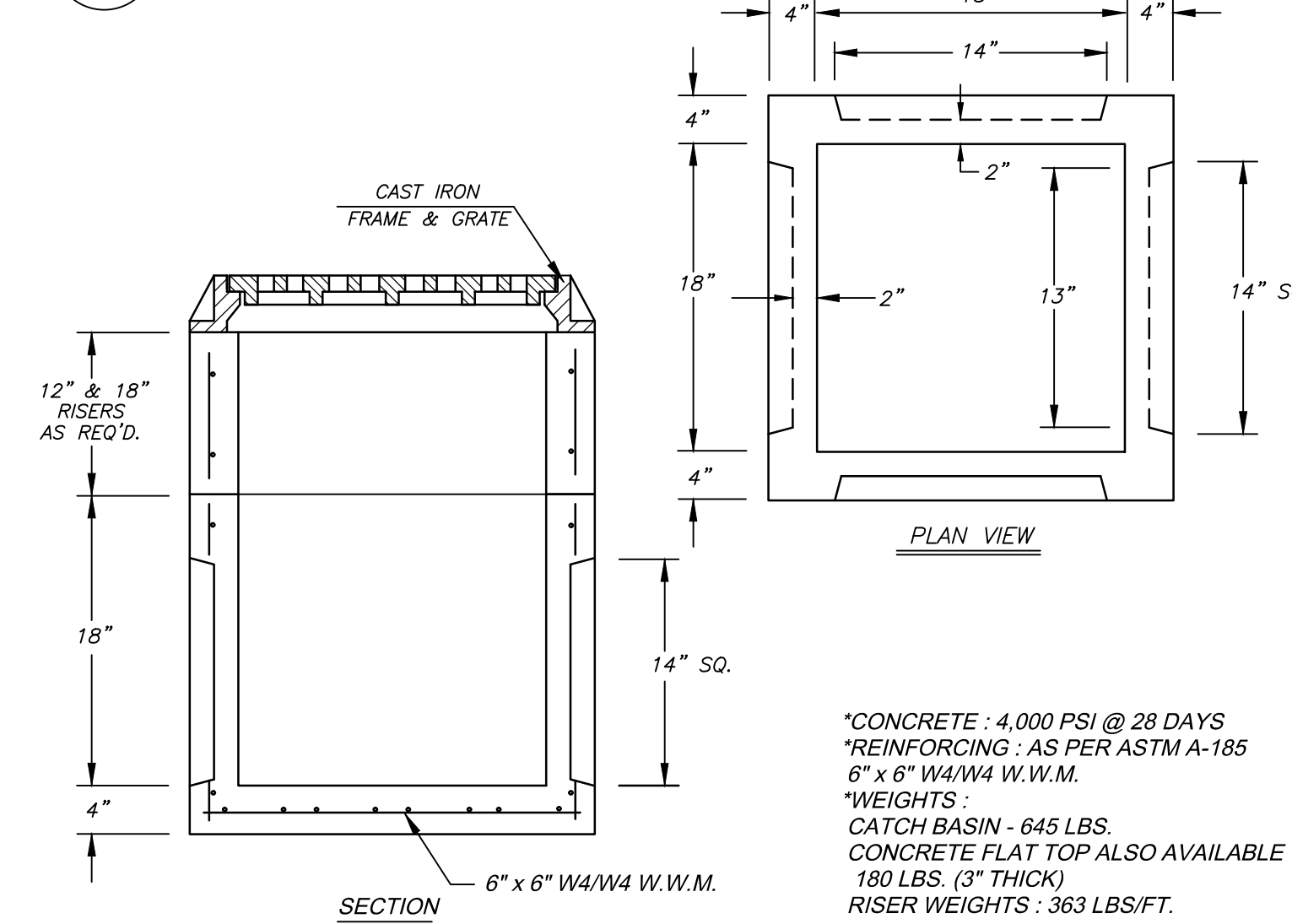


Concrete Thrust Blocks		
	Specification Reference No. 900	Plate Number 900.01

D5 THRUST BLOCKS
NTS

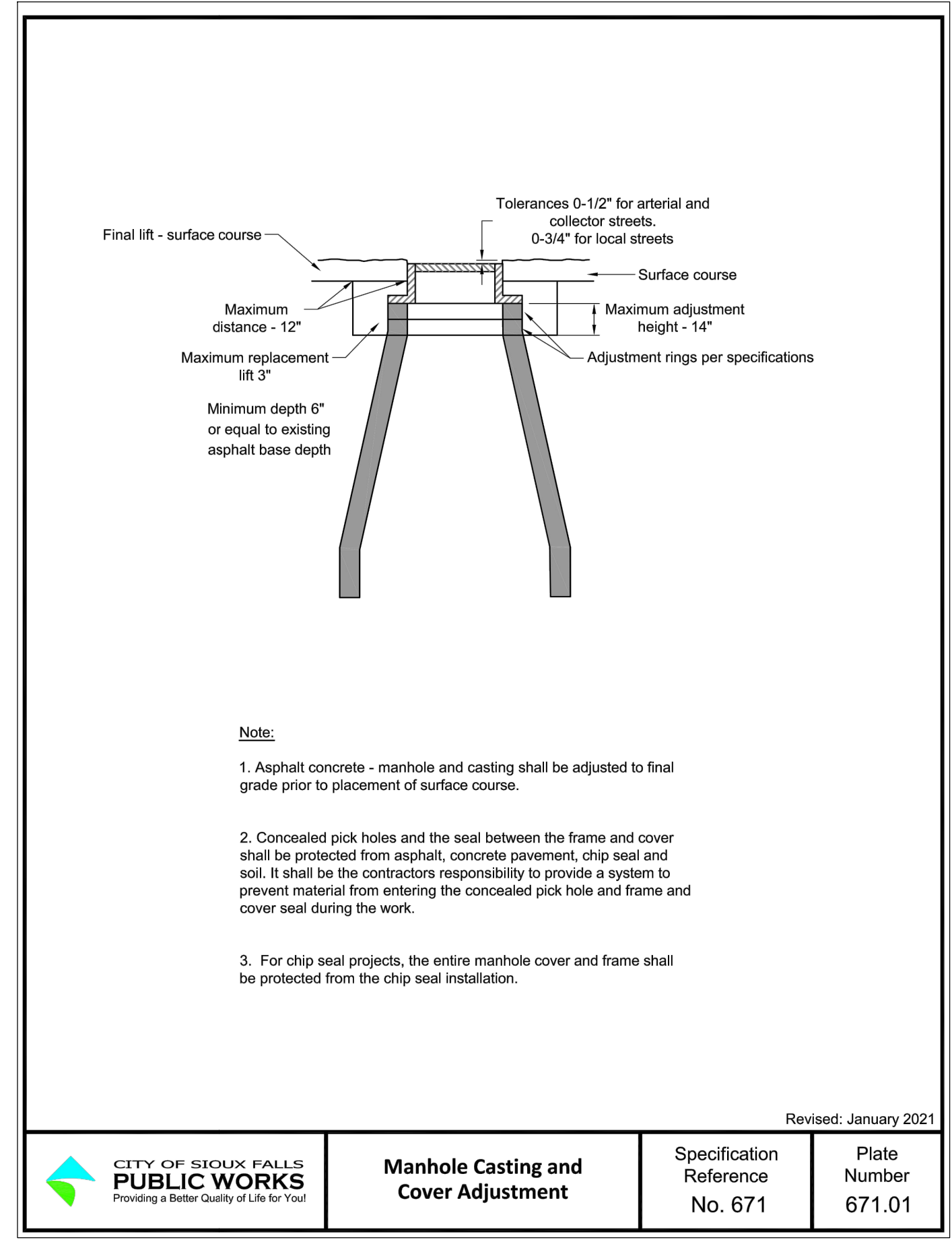


E5 YARD DRAIN
NTS



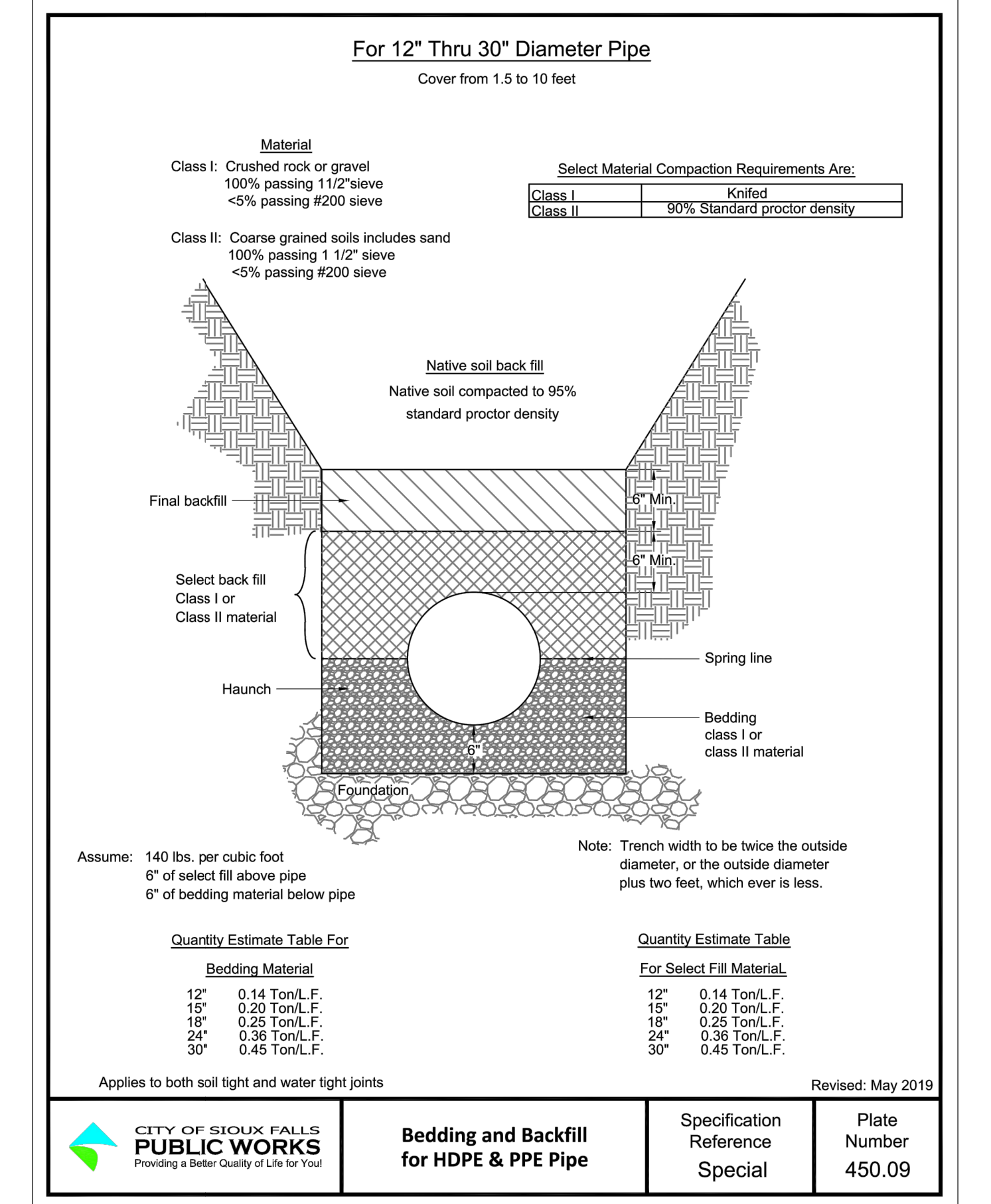
F5 CATCH BASIN
NTS

2 CIVIL DETAILS
Scale: NTS

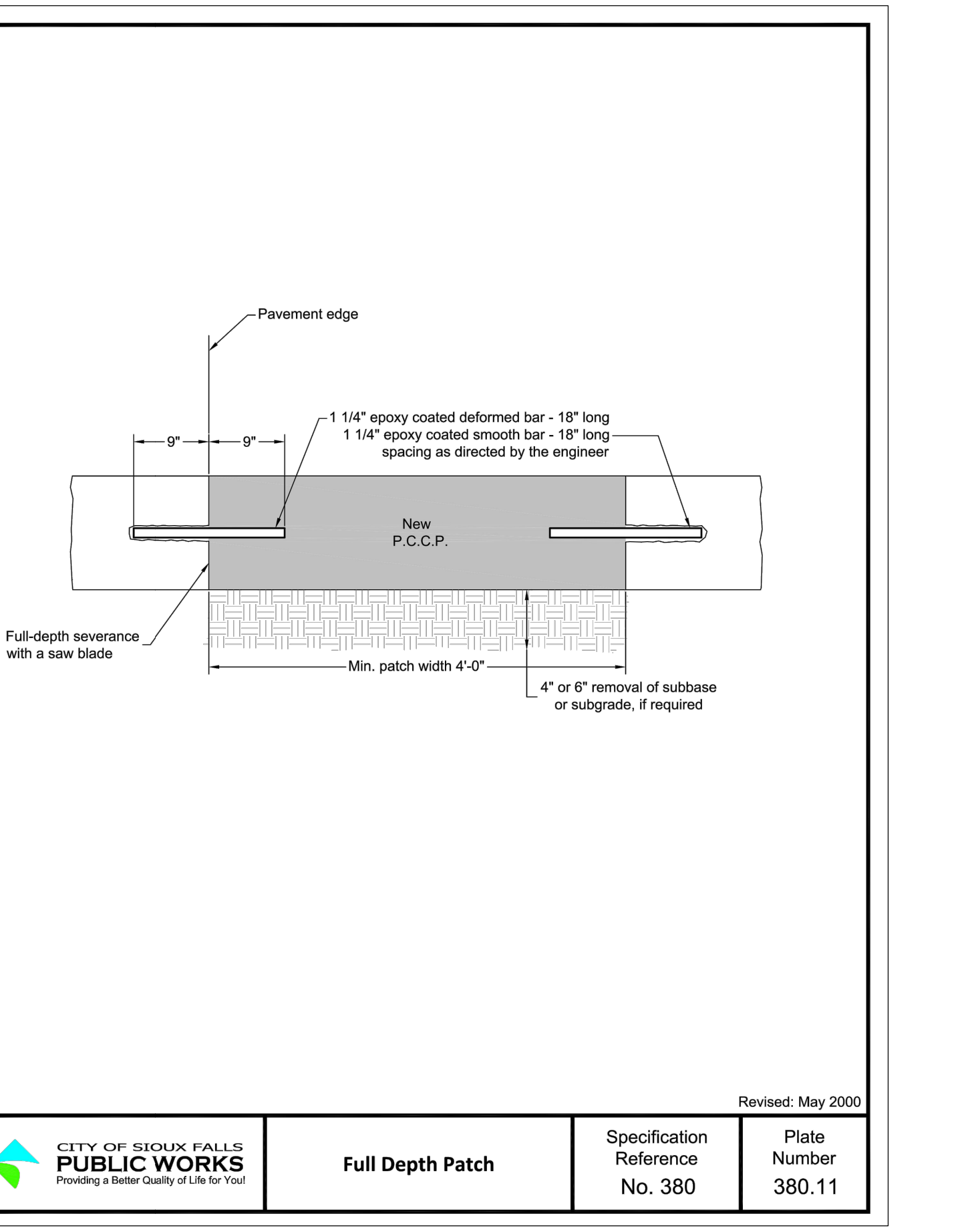


Manhole Casting and Cover Adjustment		
	Specification Reference No. 671	Plate Number 671.01

F7 MANHOLE CASTING / COVER INSTALLATION
NTS



C9 DRAIN PIPE
NTS



Full Depth Patch		
	Specification Reference No. 380	Plate Number 380.11

F9 TYPICAL PAVEMENT SECTION
NTS

Revisions:	Date:
ADDENDUM 3	01-17-2025
ADDENDUM 2 (NO CHANGES TO THIS SHEET)	09-12-2024
ADDENDUM 1	08-09-2024

CONSULTANT

Mabbett®
Scientists | Engineers | Program Managers
Mabbett & Associates, Inc.
105 Central Street Stoneham, MA 02180-1248
T. 781-275-6050
www.mabbett.com

ARCHITECT/ENGINEER OF RECORD

paradigm
Architecture | Engineering | Design-Build
200 Envoy Circle, Suite 201, Louisville, KY 40299
www.paradigmusa.com

STAMP

ROBERT E. BLANCHETTE, JR.
DIR.
NO. 48371
REGISTERED PROFESSIONAL ENGINEER
STATE OF MISSOURI

Office of Construction and Facilities Management
VA U.S. Department of Veterans Affairs

Drawing Title
CIVIL DETAILS

Approved: Project Director

Phase
100% CONSTRUCTION DOCUMENT SUBMISSION

Location
VAMC-Sioux Falls: 2501 W 22nd St, Sioux Falls, SD 57105

Issue Date
08-09-2024

Checked
RBB

Drawn
EG

Project Title
SIOUX FALLS BOILER PLANT

Project Number
438-22-900

Building Number
12

Drawing Number
CK502

16 OF 17