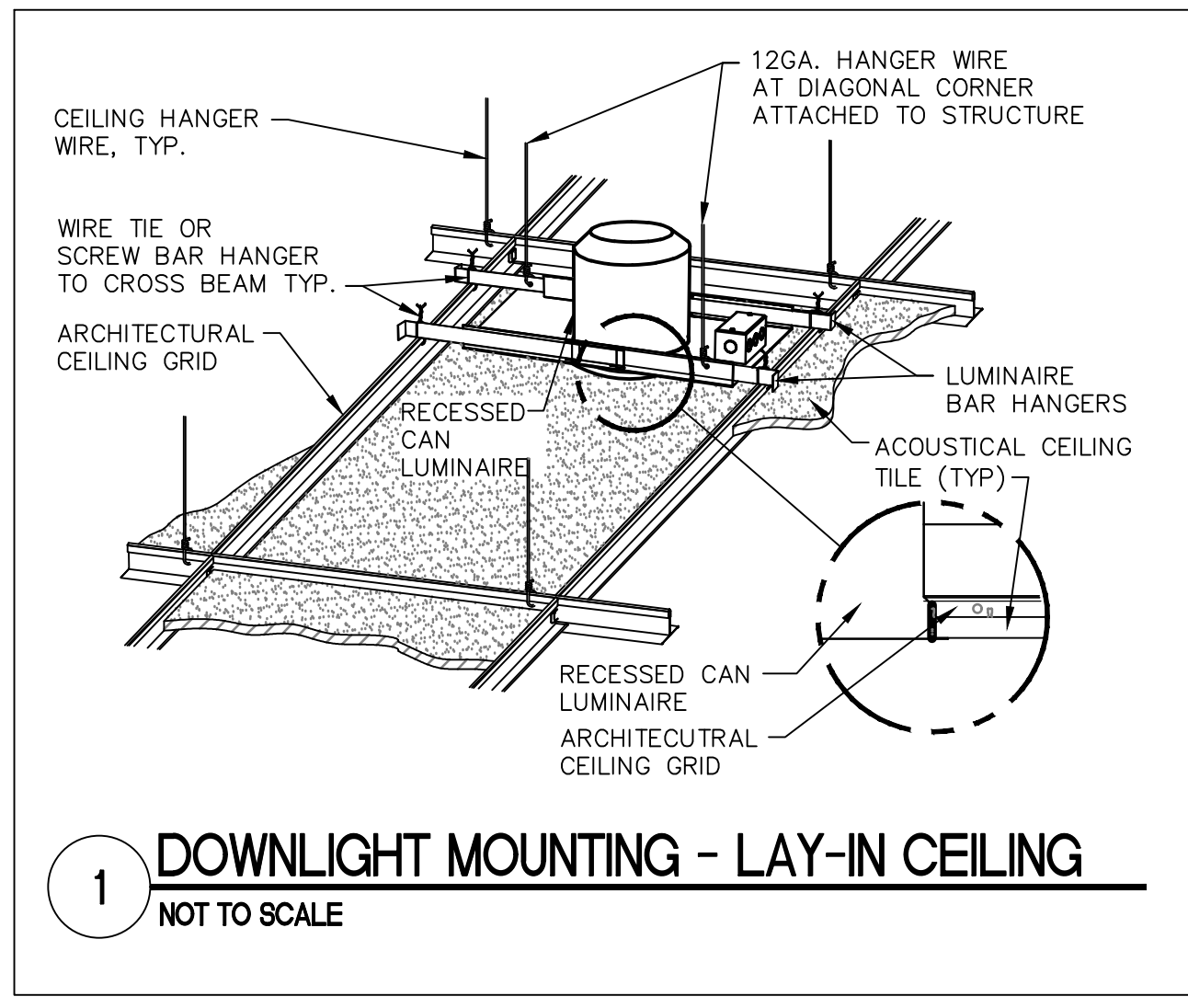
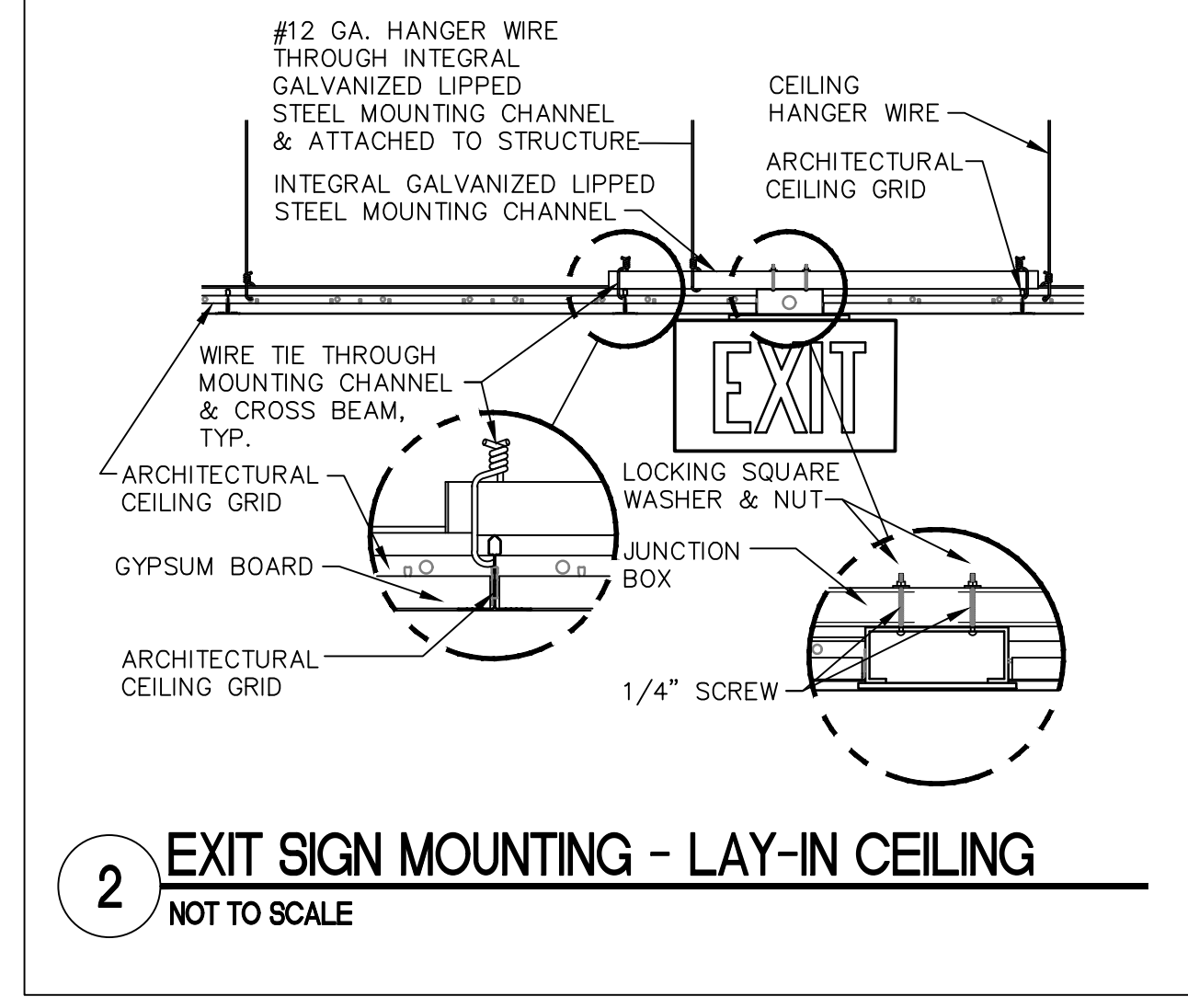


ELECTRICAL DETAILS GENERAL NOTES

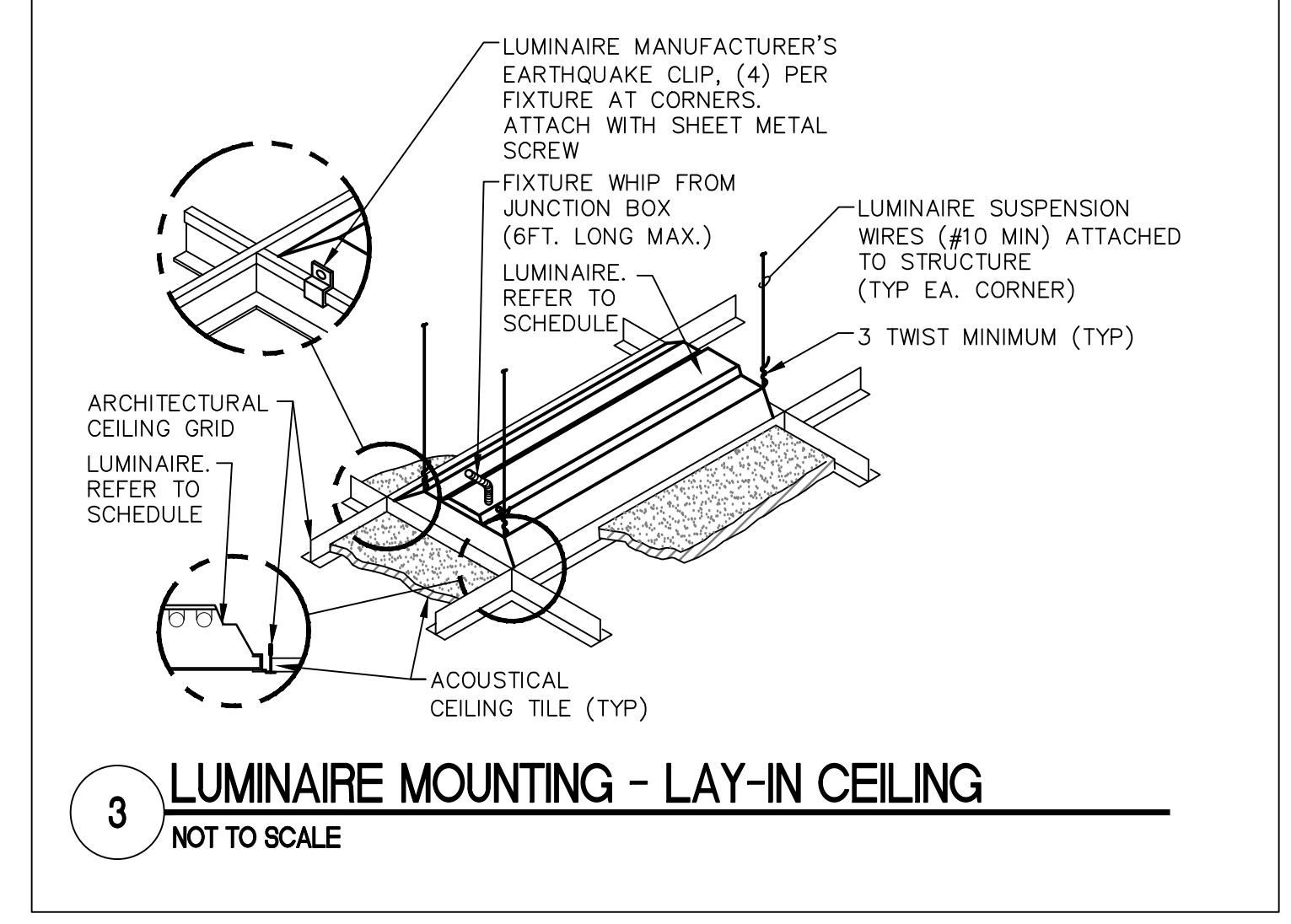
- A. REFER TO DRAWING E-001 FOR ELECTRICAL LEGEND, GENERAL NOTES, AND ABBREVIATIONS.
- B. REFER TO LIGHT FIXTURE SCHEDULE ON DRAWING EL501 FOR MANUFACTURER AND MODEL INFORMATION OF LIGHT FIXTURES.
- C. REFER TO DRAWINGS EL101 AND EL102 FOR LOCATIONS AND QUANTITY OF LIGHT FIXTURES.



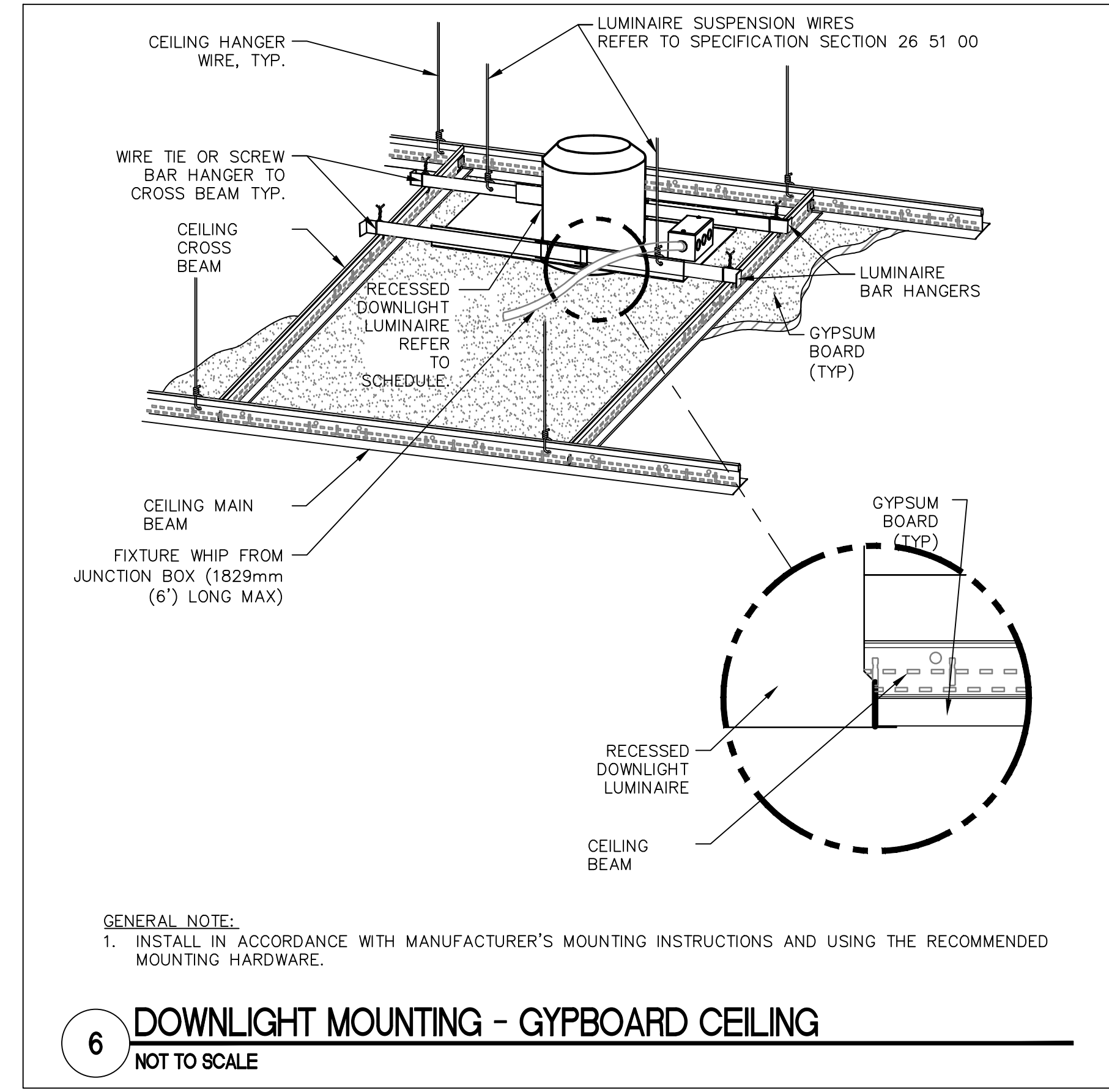
1 DOWNLIGHT MOUNTING - LAY-IN CEILING
NOT TO SCALE



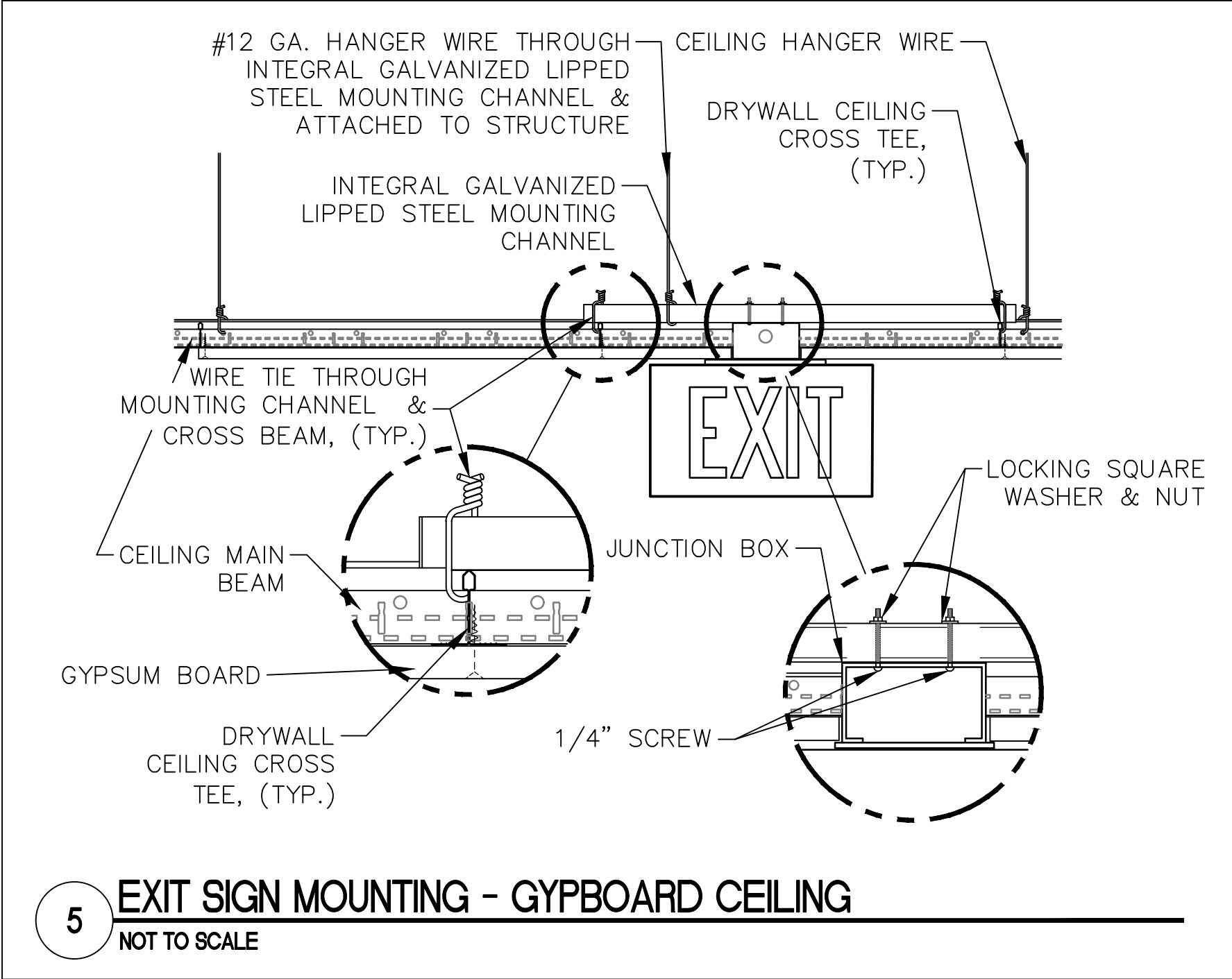
2 EXIT SIGN MOUNTING - LAY-IN CEILING
NOT TO SCALE



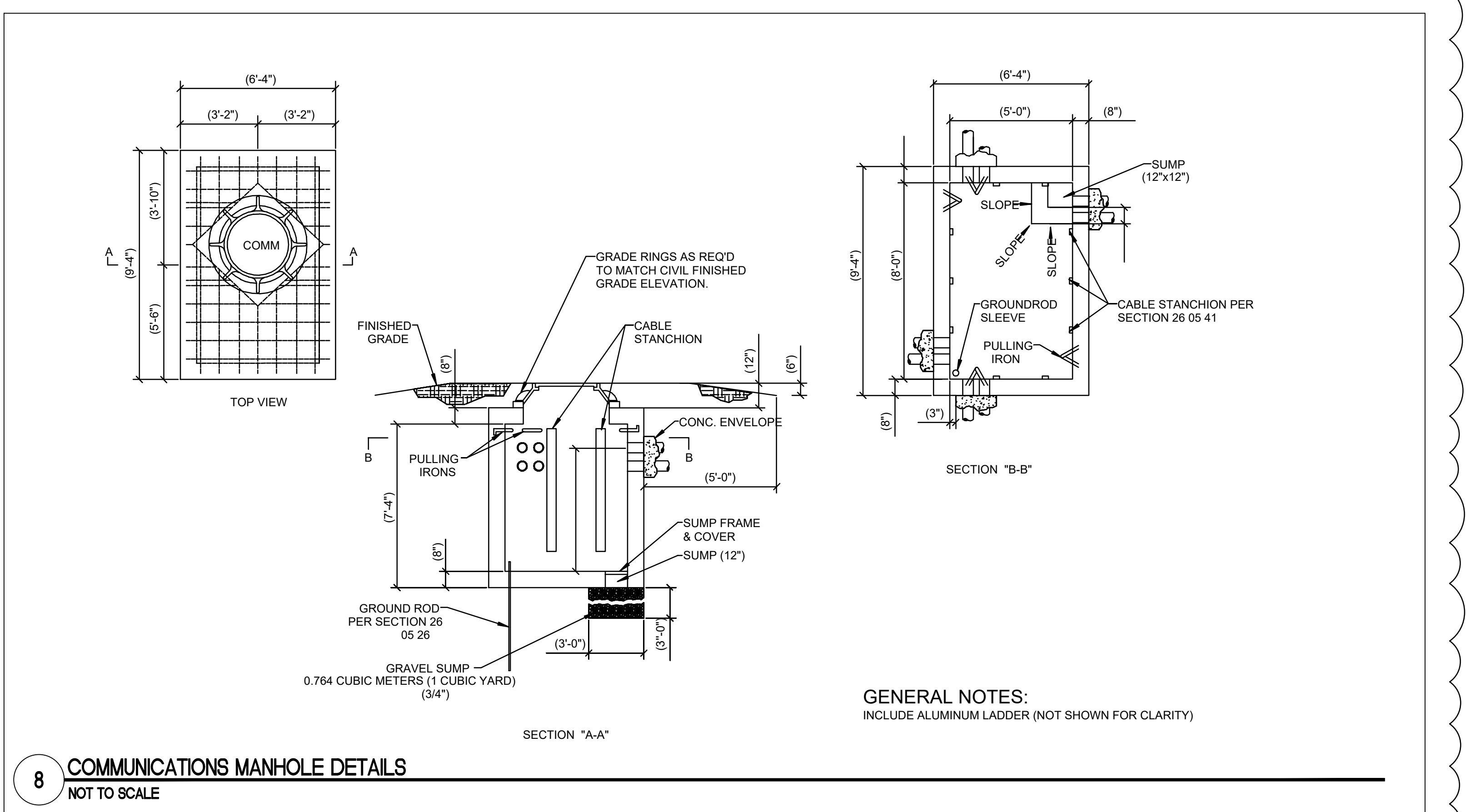
3 LUMINAIRE MOUNTING - LAY-IN CEILING
NOT TO SCALE



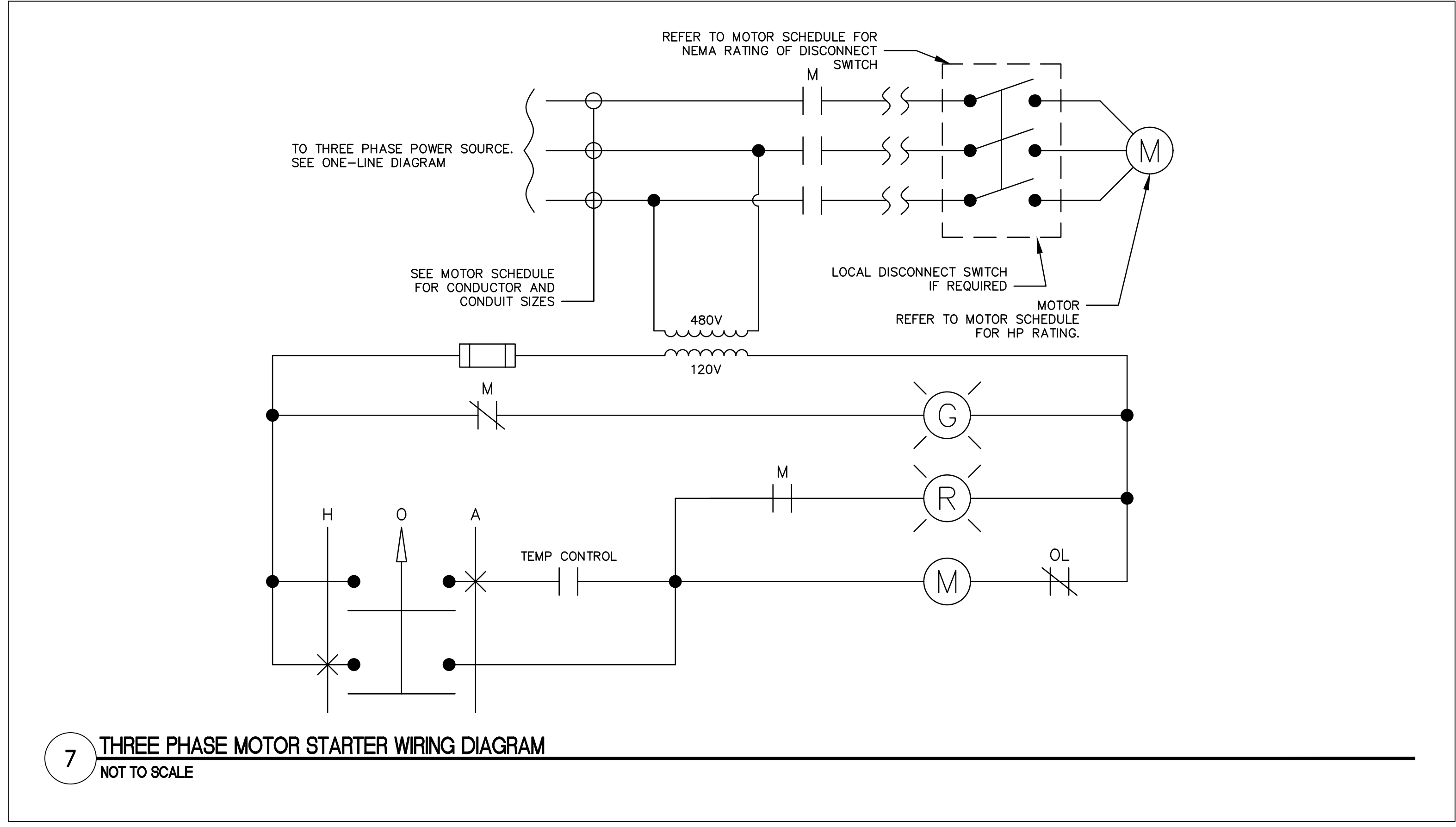
6 DOWNLIGHT MOUNTING - GYPBOARD CEILING
NOT TO SCALE



5 EXIT SIGN MOUNTING - GYPBOARD CEILING
NOT TO SCALE



8 COMMUNICATIONS MANHOLE DETAILS
NOT TO SCALE



7 THREE PHASE MOTOR STARTER WIRING DIAGRAM
NOT TO SCALE

Revisions:	Date:

ADDENDUM 3	01-24-2025

CONSULTANT

ARCHITECT/ENGINEER OF RECORD

Architecture | Engineering | Design-Build
9000 Wesley Place, Louisville, KY 40222
www.paradigmusa.com

STAMP

Office of Construction and Facilities Management

Drawing Title
ELECTRICAL DETAILS

Approved: Project Director

Phase
100% CONSTRUCTION DOCUMENTS

FULLY SPRINKLERED

Project Title
SIOUX FALLS BOILER PLANT

Location
VAMC-Sioux Falls: 2501 W 22nd St, Sioux Falls, SD 57105

Issue Date
06/25/2024

Checked
WLM

Drawn
KMB

Project Number
438-22-900

Building Number
12

Drawing Number
E502