

**SYSTEMS LEGEND**

- CARD ACCESS READER
- DOOR CONTACT INTRUSION DETECTION SYSTEM.

NOTE: WIRING SHALL BE IN EMT (ELECTRICAL METALLIC TUBING)

**2 CAMERA LEGEND**  
NOT TO SCALE

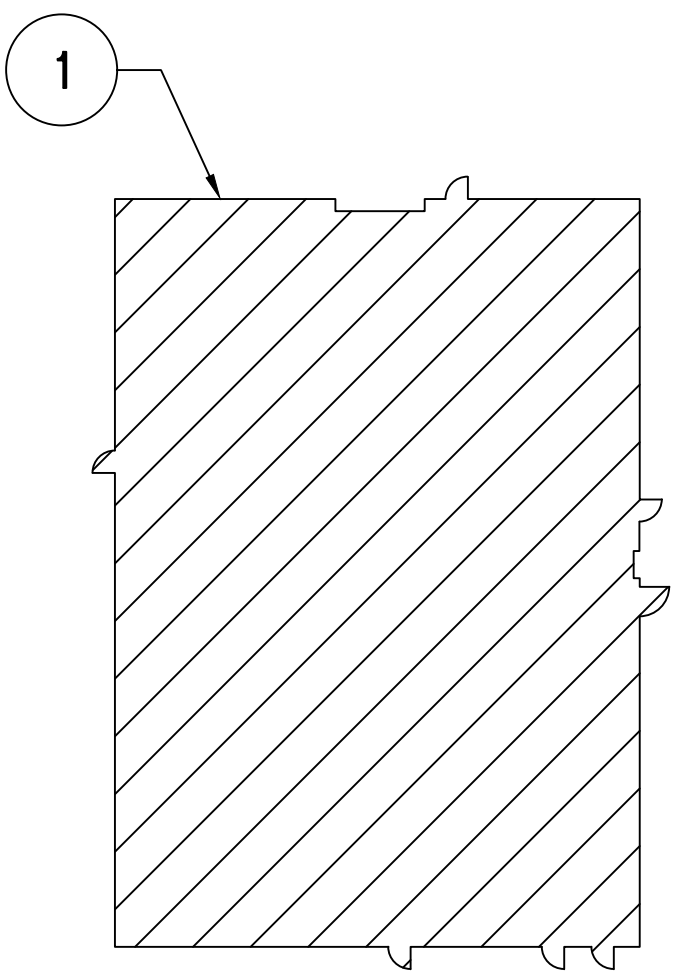
SYMBOL	MANUFACTURER AND MODEL NUMBER	COVERAGE
(A)	CAMERA MANUFACTURED BY AXIS, MODEL NO. Q6100-E AND Q6135-LE.	360°
(B)	CAMERA MANUFACTURED BY AXIS, MODEL NO. P-3737-PL-E.	360°
(C)	CAMERA MANUFACTURED BY AXIS, MODEL NO. P3265-LV-E.	360°
(D)	CAMERA MANUFACTURED BY AXIS, MODEL NO. P-3265-LV.	360°

- ELECTRICAL SYSTEMS GENERAL NOTES**
- A. REFER TO DRAWING E-001 FOR ELECTRICAL LEGEND, GENERAL NOTES, AND ABBREVIATIONS.
  - B. THE CONDUIT SYSTEM USED SHALL BE 3/4 INCH (MINIMUM) EMT (ELECTRICAL METALLIC TUBING).
  - C. THE CONTRACTOR SHALL USE TAMPER RESISTANT SCREWS THROUGHOUT INSTALLATION.
  - D. THE BASIS OF DESIGN FOR THE NEW PACS PANEL SHALL BE MANUFACTURED BY: SOFTWARE HOUSE, MODEL NO. C-CURE 9000.
  - E. NEW PIV CARD READERS BASIS OF DESIGN SHALL BE MANUFACTURED BY: HID, MODEL NO. RP40.
  - F. REFER TO CAMERA LEGEND FOR MANUFACTURER AND MODEL NUMBER OF CAMERA SYSTEM.
  - G. THE INTRUSION DOOR CONTACTS BASIS OF DESIGN SHALL BE COMPATIBLE WITH SOFTWARE HOUSE, MODEL NO. C-CURE 9000.
  - H. ALL CABLING SHALL BE CATEGORY 6A WITH PURPLE JACKET.
  - I. THE SECURITY CONTRACTOR SHALL PROVIDE AND INSTALL ALL SECURITY CABLING.

- ELECTRICAL SYSTEMS KEY NOTES**
1. PROVIDE JUNCTION BOX AT DOOR FOR CARD READER, ROUTE 3/4-INCH EMT (ELECTRICAL METALLIC TUBING) TO JUNCTION BOX, ROUTE SECURITY CABLING FROM CARD READER TO JUNCTION BOX.
  2. ROUTE SECURITY CABLING WITHIN 3/4-INCH EMT (ELECTRICAL METALLIC TUBING) CONDUIT TO NEW PACS PANEL IN ROOM NO. 114.
  3. ROUTE CATEGORY 6A CABLE TO CAMERA DISTRIBUTION SWITCH WITHIN ROOM NO. 114.
  4. PROVIDE JUNCTION BOX FOR MONITOR BANK WITHIN CONTROL ROOM.
  5. PROVIDE INTRUSION DETECTION DOOR CONTACT, BASIS OF DESIGN SHALL BE COMPATIBLE WITH SOFTWARE HOUSE C-CURE 9000 PACS PANEL.
  6. PROVIDE CARD READER AS INDICATED, BASIS OF DESIGN SHALL BE MANUFACTURED BY: HID, MODEL NO. RP40.
  7. PROVIDE NEW PACS PANEL AS INDICATED, BASIS OF DESIGN SHALL BE MANUFACTURED BY: SOFTWARE HOUSE, MODEL NO. C-CURE 9000.
  8. DOOR CONTACT CLOSURE SHALL SOUND AN AUDIBLE ALARM CHIME WITHIN BUILDING.
  9. PROVIDE CHIME AS INDICATED, SHALL ALARM WHEN DOOR IS OPENED.
  10. PROVIDE DOOR BELL AS INDICATED, SHALL SOUND DOOR BELL CHIME WHEN BUTTON PUSHED.
  11. DOOR BELL CHIME SHALL BE ALARMED WHEN DOOR BELL IS PUSHED.
  12. PROVIDE JUNCTION BOX AND CONDUIT FOR EMERGENCY RADIO LOCATED ON ROOF, COORDINATE EXACT LOCATION AT SITE PRIOR TO INSTALLATION.
  13. CAMERA WITHIN TELECOM ROOM SHALL HAVE INTEGRAL RECORDING SYSTEM, CAMERA SHALL BE ACTIVATED UPON ENTERING ROOM. CAMERA WILL BE FURNISHED WITH IT RACK SYSTEM.

**1 ELECTRICAL SYSTEMS PLAN - FIRST FLOOR**  
SCALE 3/16" = 1'-0"

**KEY PLAN - FIRST FLOOR**  
NOT TO SCALE



ADDENDUM 1 ADDENDUM 3	08-09-2024 01-24-2025	CONSULTANT	ARCHITECT/ENGINEER OF RECORD   Architecture   Engineering   Design-Build 9000 Weissex Place, Louisville, KY 40222 www.paradigmusa.com	STAMP  	Office of Construction and Facilities Management  U.S. Department of Veterans Affairs	Drawing Title <b>ELECTRICAL SYSTEMS PLAN FIRST FLOOR</b>	Phase 100% CONSTRUCTION DOCUMENTS	Project Title SIOUX FALLS BOILER PLANT	Project Number 438-22-900
						Approved: Project Director	FULLY SPRINKLERED	Location VAMC-Sioux Falls: 2501 W 22nd St, Sioux Falls, SD 57105	Building Number <b>12</b>
Revisions:	Date:					Issue Date 06/25/2024	Checked WLM	Drawn KMB	