

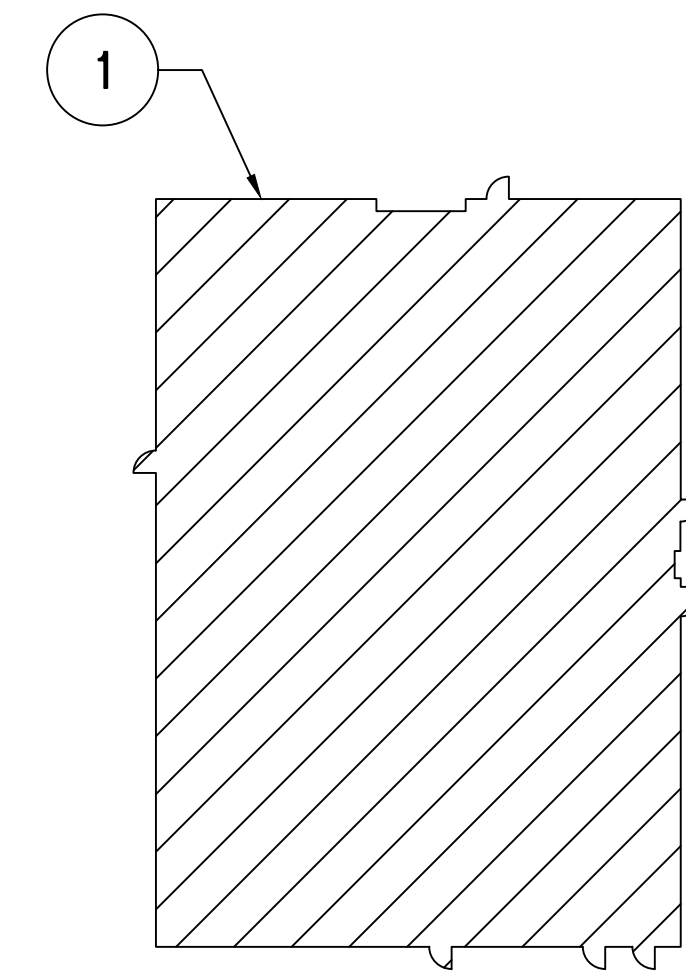
FIRE ALARM LEGEND	
	FIRE ALARM PULL STATION. MOUNTED 48" AFF TO CENTERLINE OF STATION.
	SPEAKER/STROBE ALARM. COMBINATION SPEAKER WITH ADJUSTABLE CANDELA STROBE LIGHT. WALL MOUNTED 90" AFF TO TOP. CEILING MOUNT WHERE INDICATED. NUMBER INDICATES CANDELA RATING OF STROBE. 'WP' INDICATES WEATHERPROOF UNIT. DEVICE SHALL BE DUAL COIL AND SHALL FUNCTION AS A FIRE ALARM DEVICE AND A PUBLIC ADDRESS DEVICE.
	VISUAL ALARM. ADJUSTABLE CANDELA STROBE LIGHT. WALL MOUNTED 90" AFF TO TOP. CEILING MOUNT WHERE INDICATED. NUMBER INDICATES CANDELA RATING OF STROBE. REFER TO SPECIAL REQUIREMENTS IN SLEEPING AREAS. NS INDICATES NON-SUPERVISED 120-VOLT REMOTE VISUAL SIGNAL, 177 CANDELA, CONNECTED TO NON-SUPERVISED SMOKE DETECTOR.
	PHOTOELECTRIC SMOKE DETECTOR WITH ADDRESSABLE BASE. CEILING MOUNTED.
	200° HEAT DETECTOR

FIRE ALARM GENERAL NOTES

- REFER TO DRAWING FA001 FOR LEGEND, ABBREVIATIONS, SCHEDULES AND GENERAL NOTES.
- THE ELECTRICAL CONTRACTOR SHALL PROVIDE JUNCTION BOX WITH 3/4 INCH EMPTY CONDUIT ROUTED UP INTO THE ACCESSIBLE CEILING SPACE AND OVER TO THE FIRE ALARM CONTROL PANEL, PROVIDE PULL STRINGS WITHIN THE EMPTY CONDUIT SYSTEM.
- THE FIRE ALARM CONTRACTOR SHALL PULL FIRE ALARM CABLE FROM JUNCTION BOX (FIRE ALARM DEVICE) TO FACP AND NAC PANEL.
- THE FIRE ALARM CONTRACTOR SHALL PROVIDE FINISH COVER PLATE AT EACH FIRE ALARM DEVICE.
- THE FIRE ALARM CONTRACTOR SHALL PROVIDE FULLY ENGINEERED SHOP DRAWING SUBMITTALS OF THE PROPOSED WORK PRIOR TO BEGINNING CONSTRUCTION. THE SHOP DRAWINGS SUBMITTALS SHALL INCLUDE BUT NOT LIMITED TO: VOLTAGE DROP CALCULATIONS, BATTERY CALCULATIONS, INSULATION VALUE, LENGTH OF FIRE ALARM WIRE, SLC WIRING, NAC WIRING ETC.
- ALL WIRING SHALL BE INSTALLED IN 3/4 INCH CONDUIT.
- FIRE ALARM CONDUIT SHALL BE PAINTED RED IN COLOR.
- THE ELECTRICAL CONTRACTOR SHALL INCLUDE IN BID NUMBER ALL ASSOCIATED COST OF PROVIDING A FULLY FUNCTIONAL FIRE ALARM SYSTEM.
- THE BASIS OF DESIGN FOR THE FIRE ALARM SYSTEM SHALL BE MANUFACTURED BY HONEYWELL, MODEL NO. JCPU2-640.

FIRE ALARM KEY NOTES

- PROVIDE FACP (FIRE ALARM CONTROL PANEL) BY JOHNSON CONTROLS, MODEL NO. JCPU2-640.
- FIRE ALARM ANNUNCIATOR SHALL BE MANUFACTURED BY JOHNSON CONTROLS, MODEL NO. JNCA-Z, REFER TO CUT SHEET ON DRAWING FA502 FOR ADDITIONAL INFORMATION.



1 FIRE ALARM PLAN - FIRST FLOOR
SCALE 3/16" = 1'-0"

KEY PLAN - FIRST FLOOR
NOT TO SCALE

ADDENDUM 3 01-24-2025 CONSULTANT	ARCHITECT/ENGINEER OF RECORD Architecture Engineering Design-Build 9000 Weissex Place, Louisville, KY 40222 www.paradigmusa.com	STAMP 	Office of Construction and Facilities Management U.S. Department of Veterans Affairs	Drawing Title FIRE ALARM PLAN FIRST FLOOR	Phase 100% CONSTRUCTION DOCUMENTS	Project Title SIOUX FALLS BOILER PLANT	Project Number 438-22-900
				Approved: Project Director	FULLY SPRINKLERED	Location VAMC-Sioux Falls: 2501 W 22nd St, Sioux Falls, SD 57105	Building Number 12
Revisions:	Date:			Issue Date 06/25/2024	Checked WLM	Drawn KMB	Drawing Number FA101