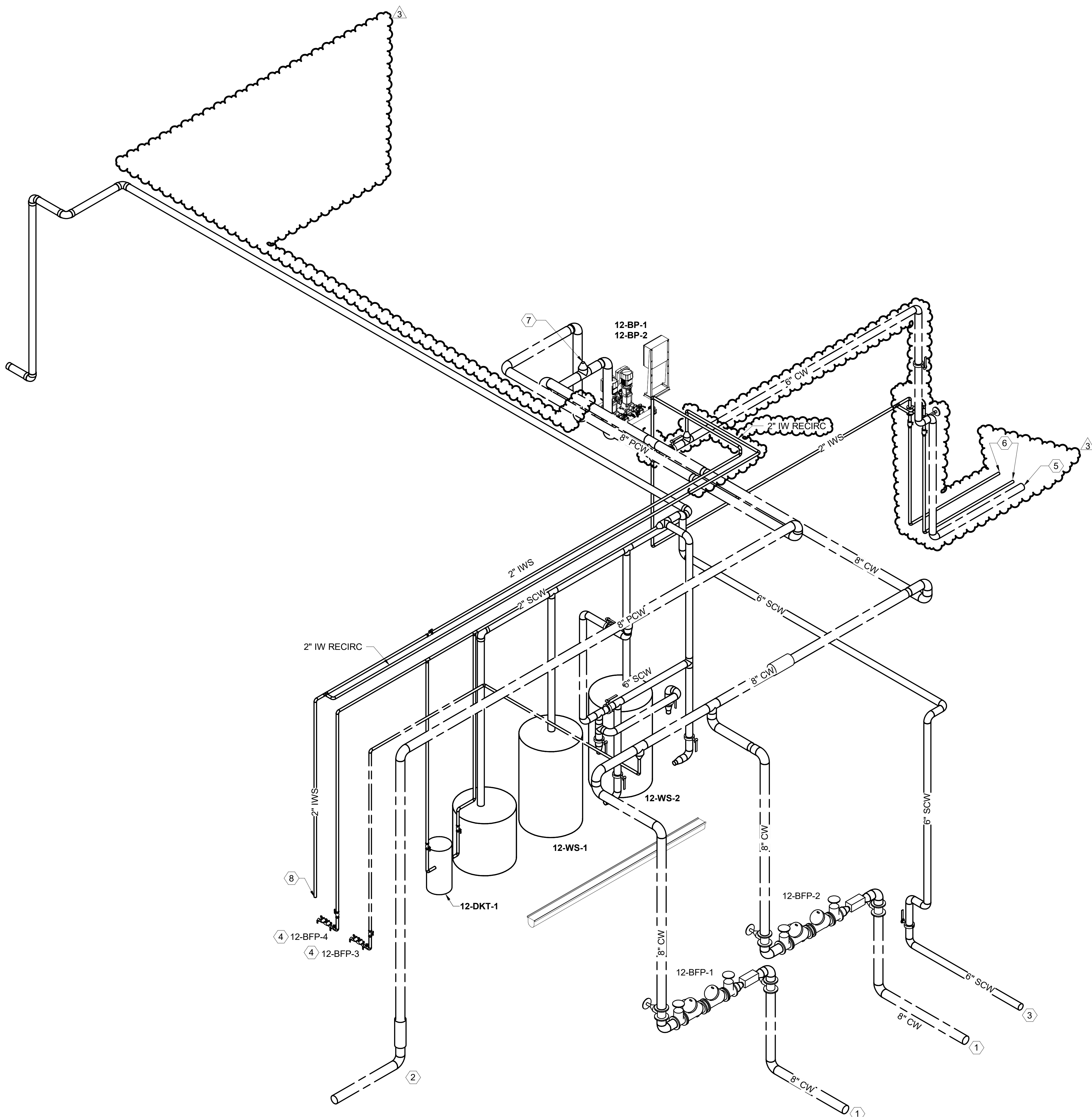
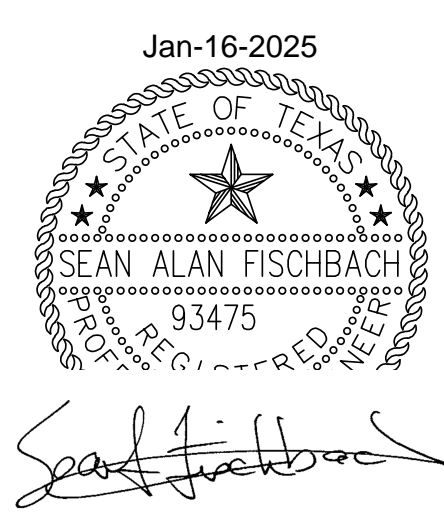


- NOTES:**
- FOR GENERAL NOTES, SYMBOLS, AND ABBREVIATIONS SEE DRAWING PL000.
  - FOR FIXTURE CONNECTION SIZES, REFER TO PLUMBING FIXTURE SCHEDULE ON PL600.
  - ALL ITEMS THAT REQUIRE ACCESS, SUCH AS FOR OPERATING, CLEANING, SERVICING, MAINTENANCE, AND CALIBRATION, SHALL BE EASILY AND SAFELY ACCESSIBLE BY PERSONS STANDING AT FLOOR LEVEL, OR STANDING ON PERMANENT PLATFORMS, WITHOUT THE USE OF PORTABLE LADDERS. EXAMPLES OF THESE ITEMS INCLUDE, BUT ARE NOT LIMITED TO: ALL TYPES OF VALVES, FILTERS AND STRAINERS, TRANSMITTERS, CONTROL DEVICES. PRIOR TO COMMENCING INSTALLATION WORK, REFER CONFLICTS TO THE COR FOR RESOLUTION. FAILURE OF THE CONTRACTOR TO RESOLVE, OR POINT OUT ANY ISSUES WILL RESULT IN THE CONTRACTOR CORRECTING AT NO ADDITIONAL COST OR TIME TO THE GOVERNMENT.

- KEYED NOTES: #**
- CITY WATER ENTRY. REFER TO CIVIL DRAWING C1101 FOR PIPE CONTINUATION.
  - CITY WATER LINE TO WATER TOWER. REFER TO CIVIL DRAWING C1101 FOR PIPE CONTINUATION.
  - SOFT WATER LINE TO BUILDING 11. REFER TO PL201 DRAWING FOR PIPE CONTINUATION.
  - REFER TO MP101 FOR PIPE CONTINUATION.
  - 6" PCW TO WATER TANKS. REFER TO PL101 FOR CONTINUATION.
  - 2" IWS FROM WATER TANKS. REFER TO PL101 FOR CONTINUATION.
  - REFER TO PL702 FOR PIPE CONTINUATION.
  - REFER TO MP101 FOR IWS PIPE CONTINUATION.



WATER RISER DIAGRAM



Jan-16-2025

Revisions: 1 Addendum 1 3 Addendum 3	Date: 08-09-2024 01-17-2025	CONSULTANT  Burns & McDonnell Engineering Company, Inc. 9450 WARD PARKWAY, KANSAS CITY, MO	ARCHITECT/ENGINEER OF RECORD  paradigm Architecture   Engineering   Design-Build 200 Envoy Circle, Suite 201, Louisville, KY 40299 www.paradigmusa.com	STAMP  Office of Construction and Facilities Management  U.S. Department of Veterans Affairs	Drawing Title PLUMBING WATER RISER DIAGRAM	Phase 100% CONSTRUCTION DOCUMENTS	Project Title SIOUX FALLS BOILER PLANT	Project Number 438-22-900
					Approved: Project Director	FULLY SPRINKLERED	Location VAMC-Sioux Falls: 2501 W 22nd St, Sioux Falls, SD 57105	Building Number 12
Issue Date 06/25/2024		Checked S. FISCHBACH		Drawn J. YOUNG				