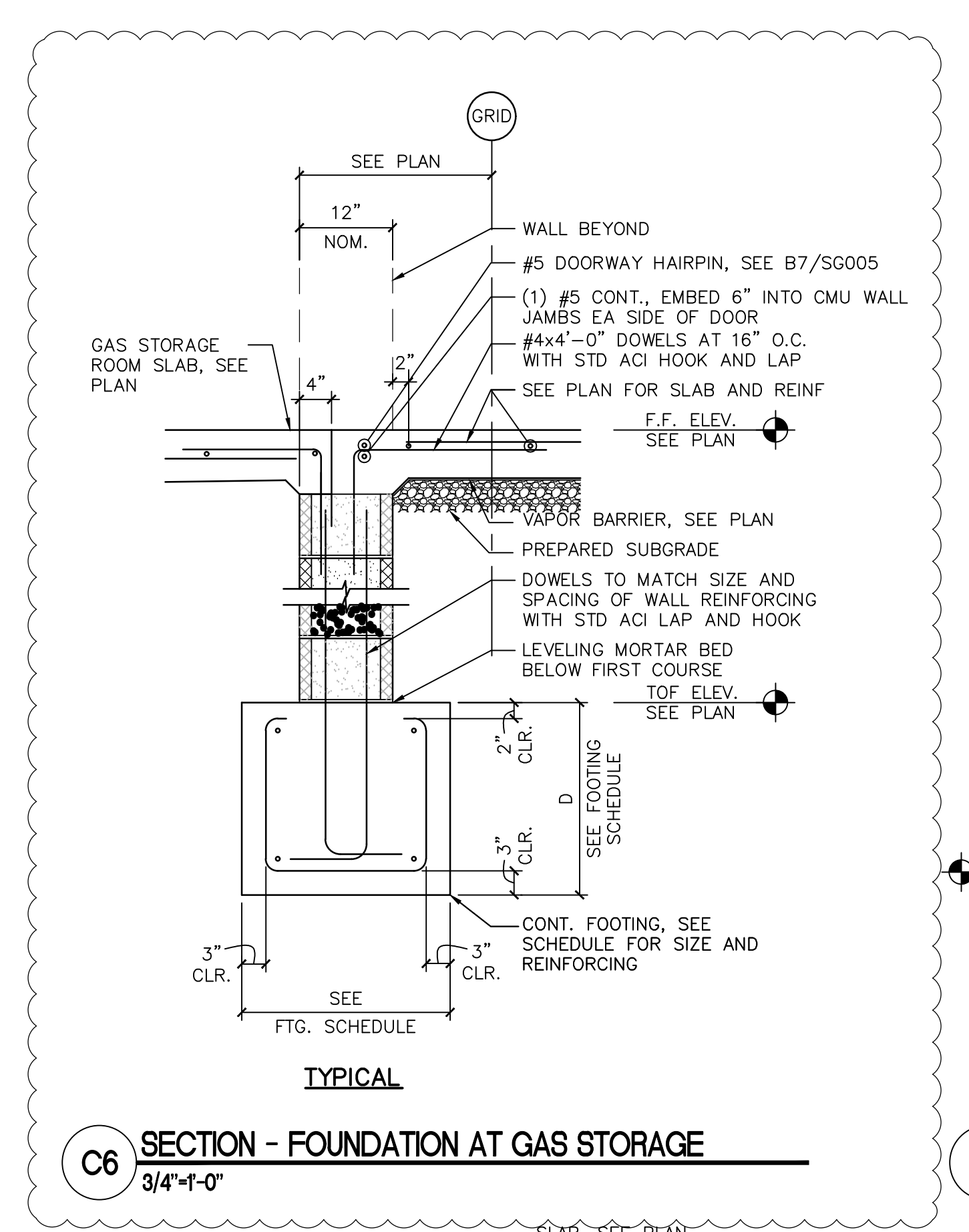
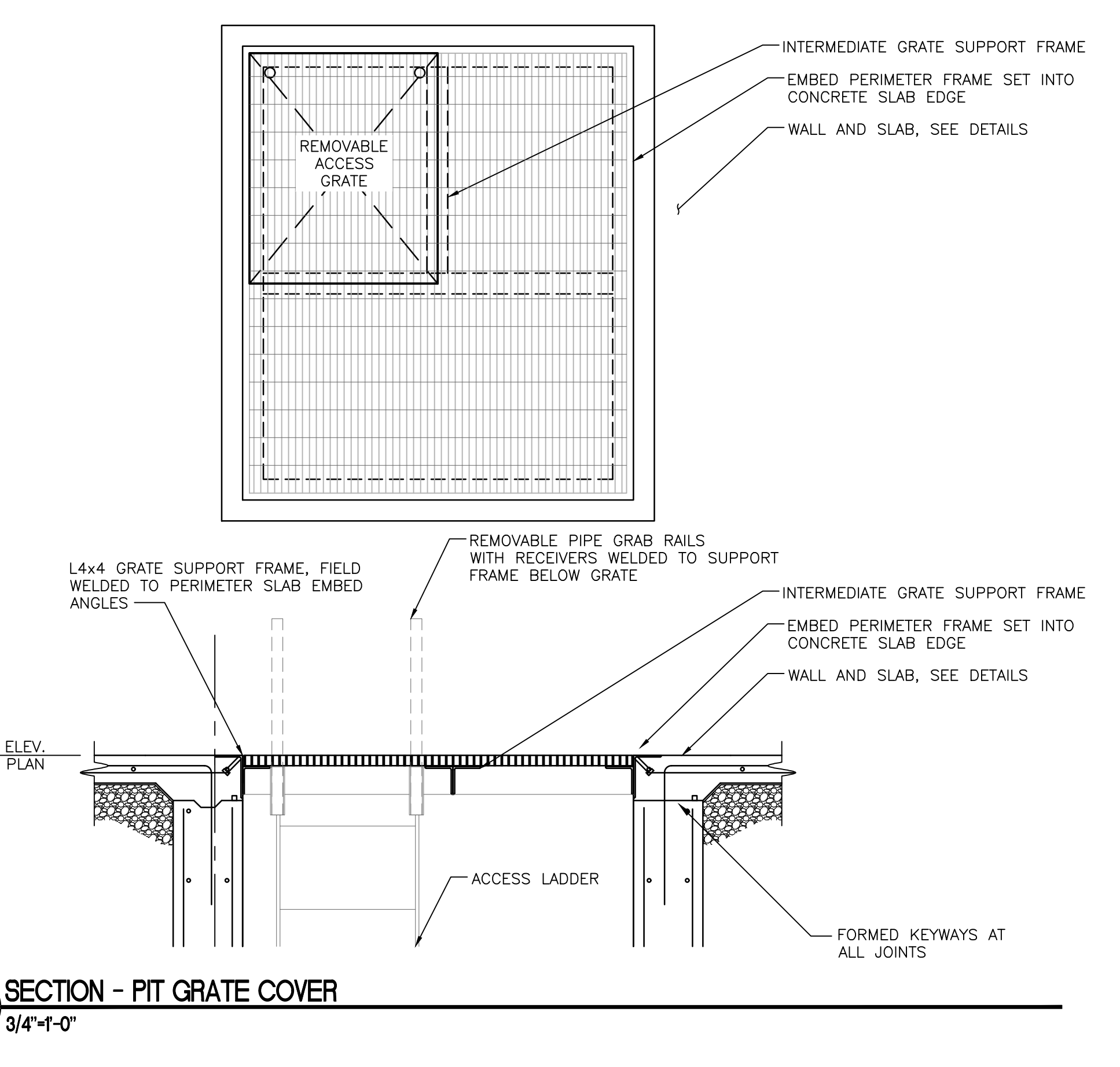


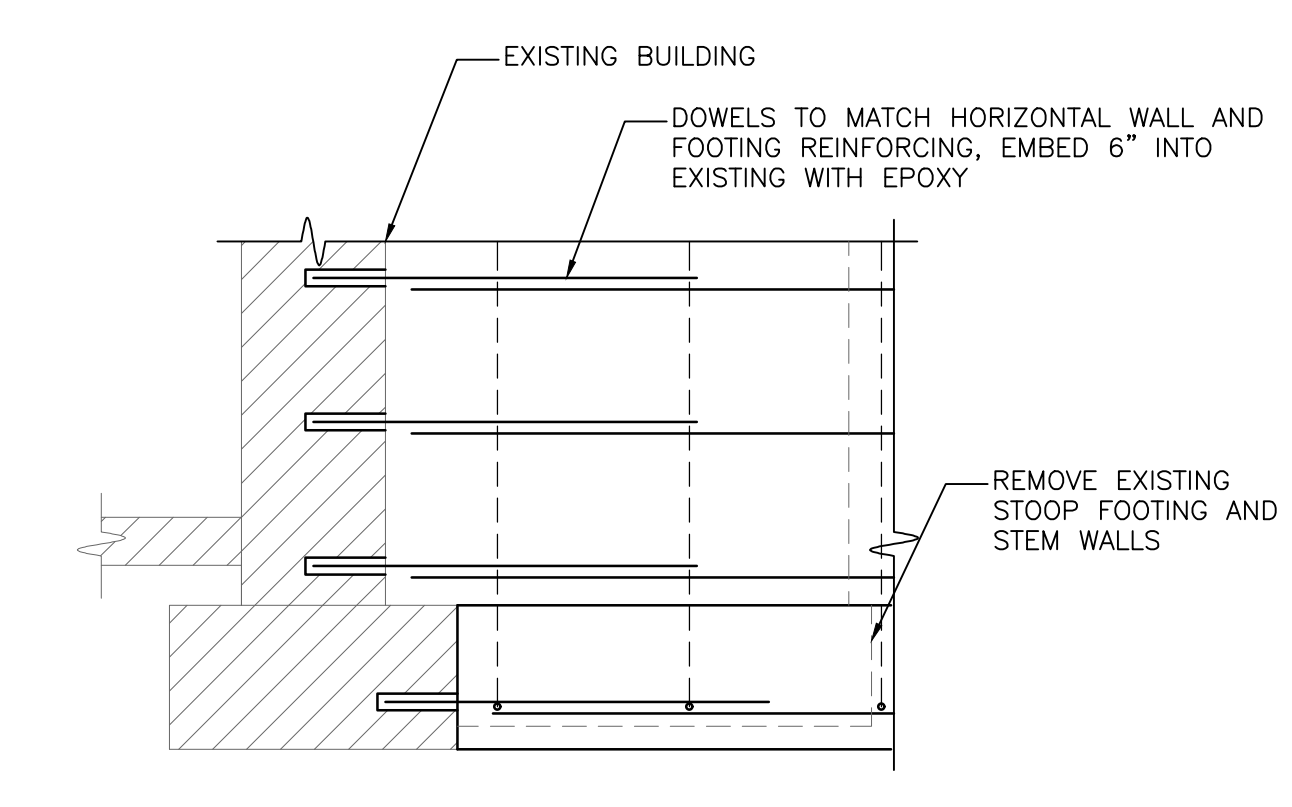
C2 SECTION - OVERHEAD DOOR REINFORCING
1/2'-1'-0"



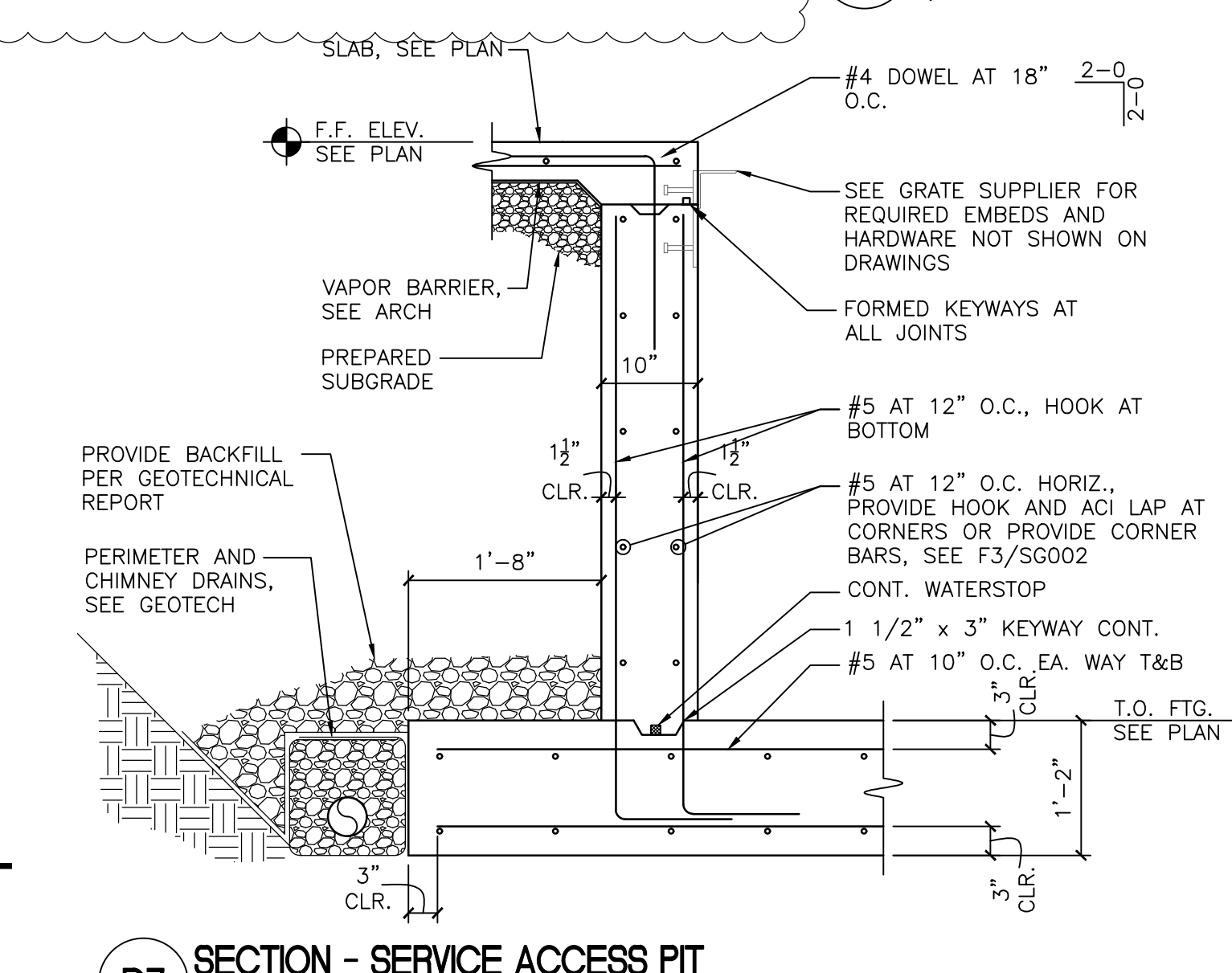
C6 SECTION - FOUNDATION AT GAS STORAGE
3/4'-1'-0"



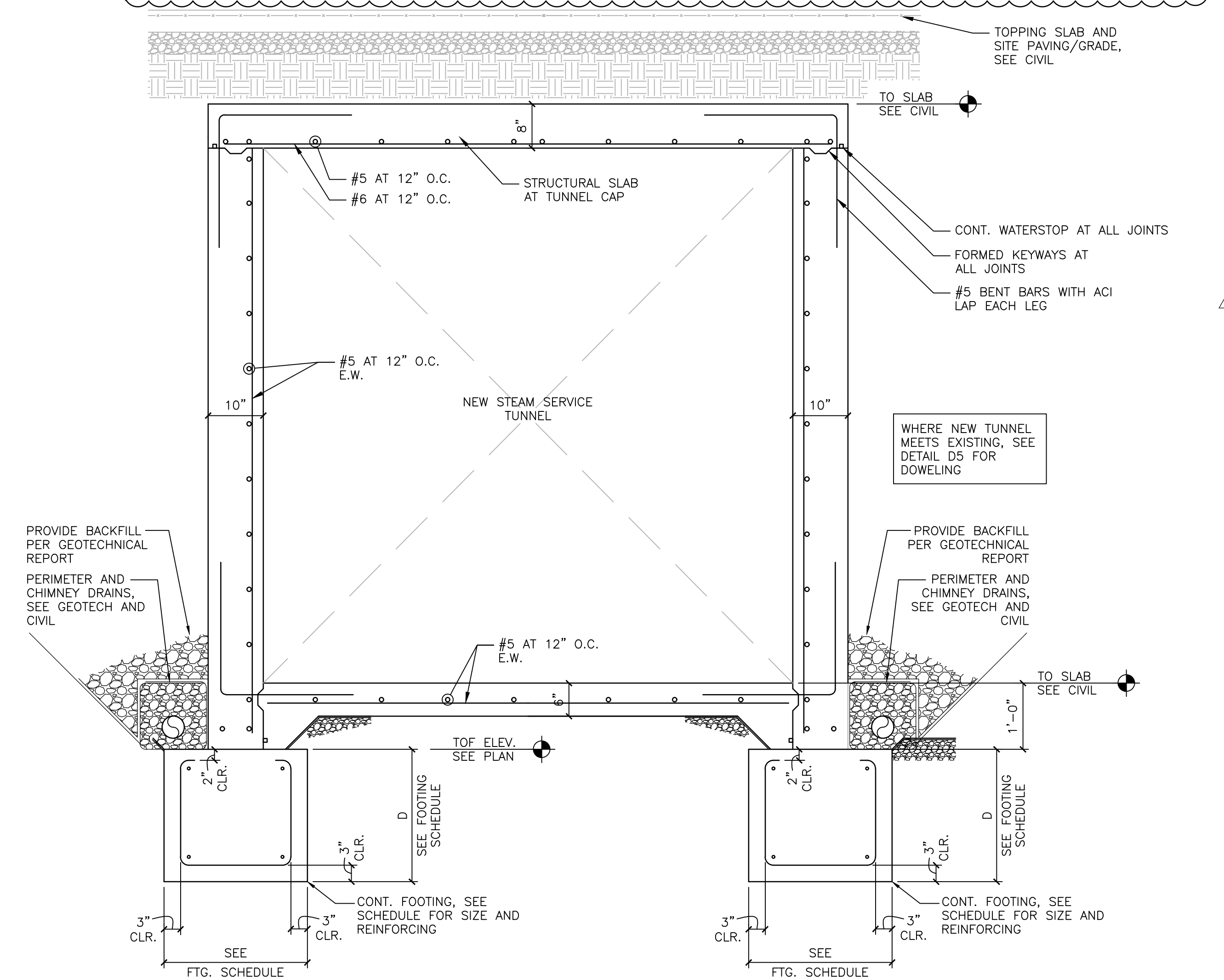
C8 SECTION - PIT GRATE COVER
3/4'-1'-0"



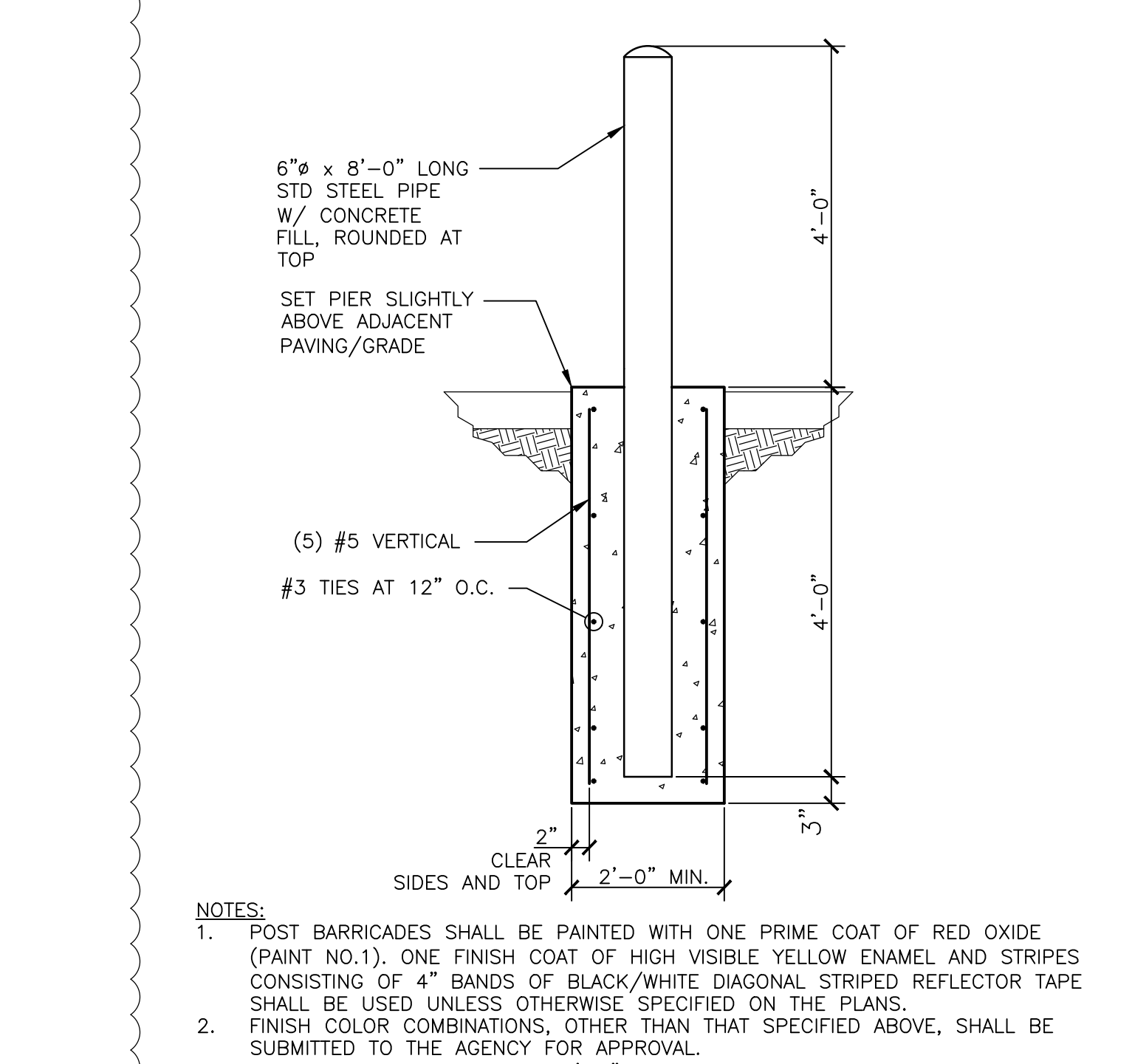
D5 SECTION - FOUNDATION AT EXISTING WALL
3/4'-1'-0"



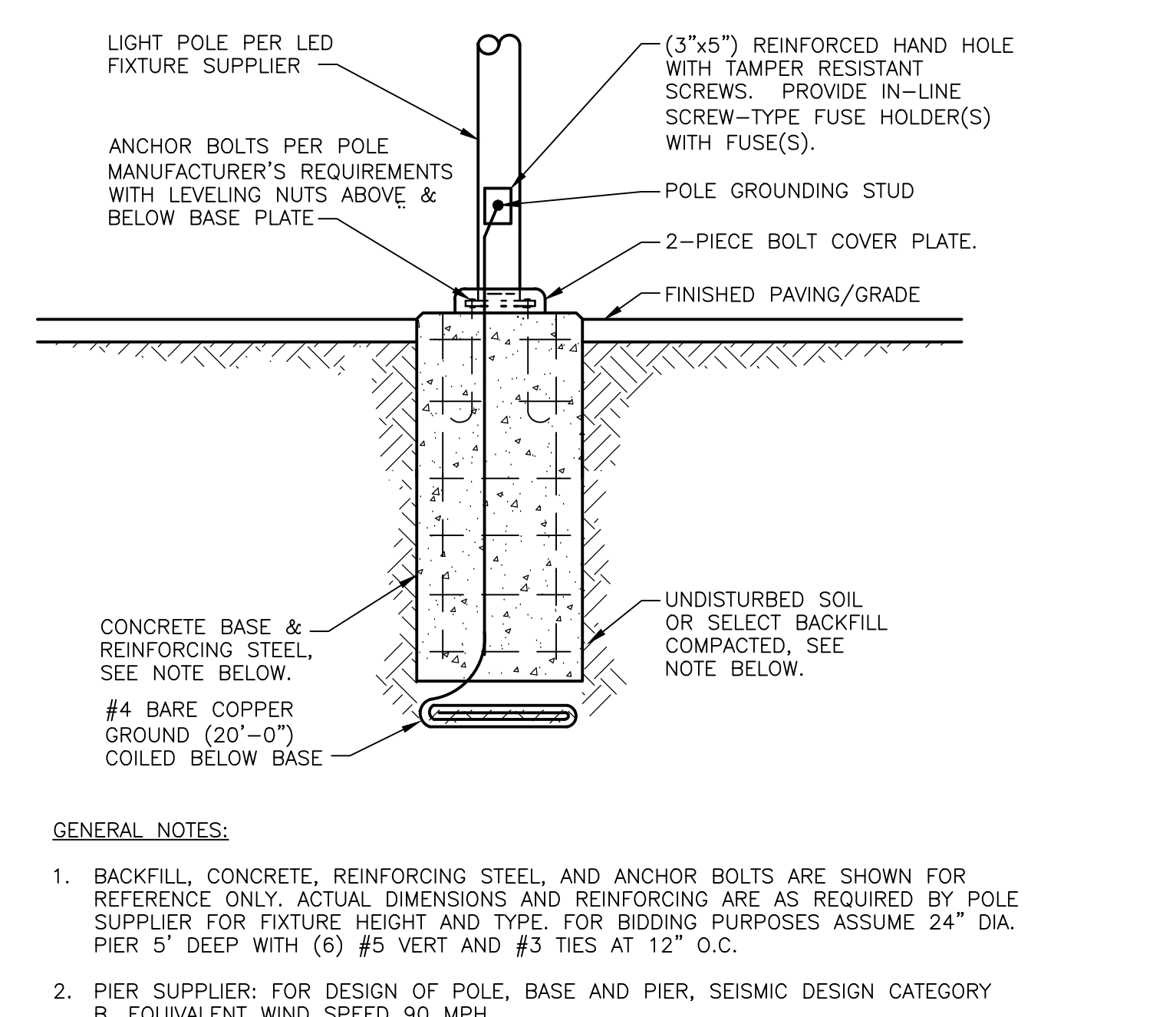
D7 SECTION - SERVICE ACCESS PIT
3/4'-1'-0"



F1 STEAM TUNNEL SECTION
NOT TO SCALE



F7 BOLLARD GUARD POST
NOT TO SCALE



F9 LIGHT POLE BASE
NOT TO SCALE

ADDENDUM 1 ADDENDUM 2 (NO STRUCTURAL CHANGES) ADDENDUM 3	08-09-24 XX-XX-XX 01-17-25	CONSULTANT MOON TREE CONSULTING 1808 DEEP CREEK RD. OKC, OK 73131 918.527.7166 INFO@MOONTRELLC.COM	ARCHITECT/ENGINEER OF RECORD paradigm Architecture Engineering Design-Build 200 Envoy Circle, Suite 201, Louisville KY 40299 - www.paradigmusa.com	STAMP DAVID R. WALTON 31109 LICENSED PROFESSIONAL ENGINEER	Office of Construction and Facilities Management U.S. Department of Veterans Affairs	Drawing Title FOUNDATION DETAILS Approved: Project Director	Phase 100% CONSTRUCTION DOCUMENTS FULLY SPRINKLERED	Project Title DESIGN REPLACE BOILER PLANT Location SIoux FALLS VAMC SIoux FALLS, SD 57105	Project Number 438-22-900 Building Number 12 Drawing Number SB302
Revisions:	Date:								