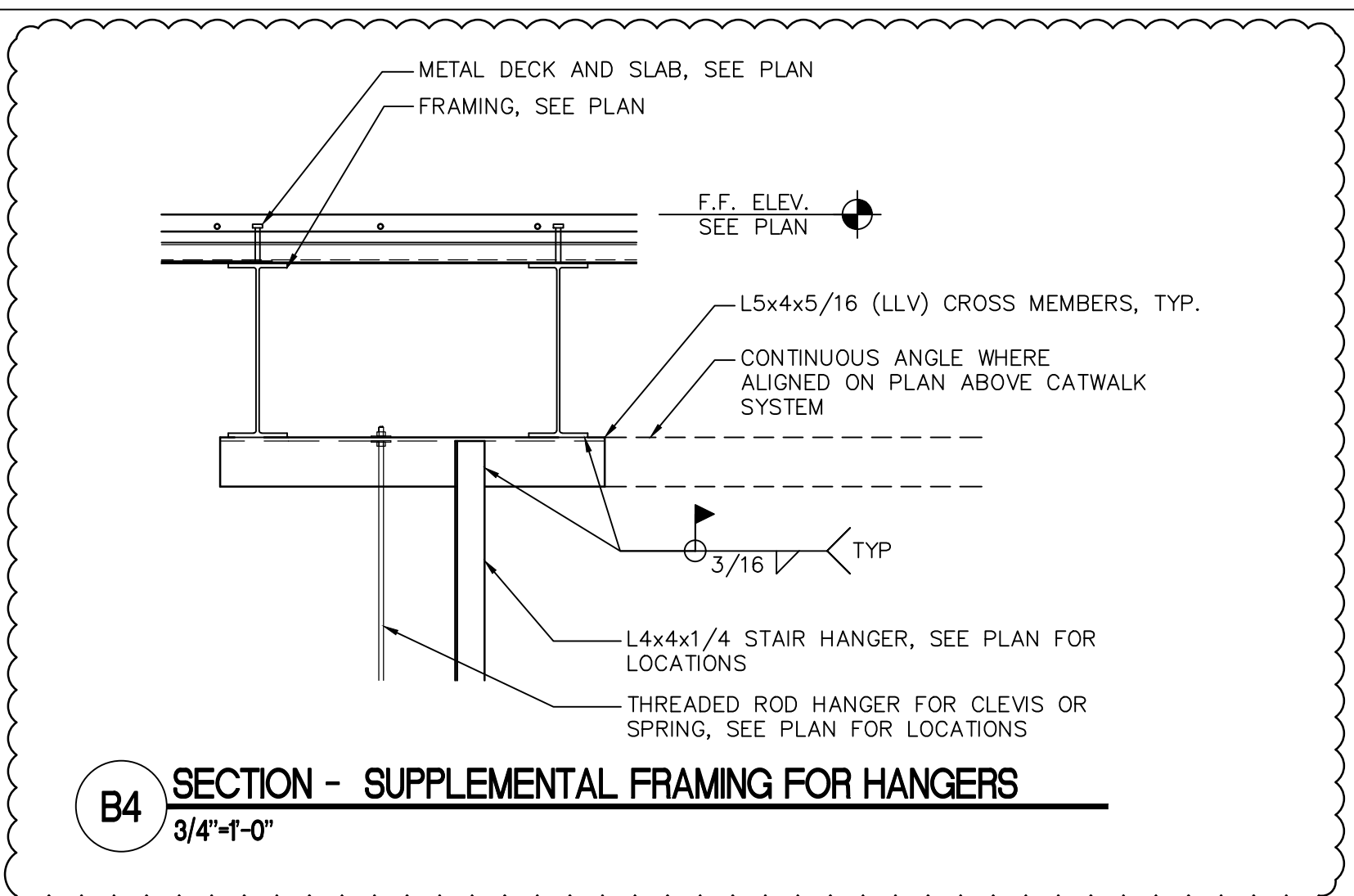
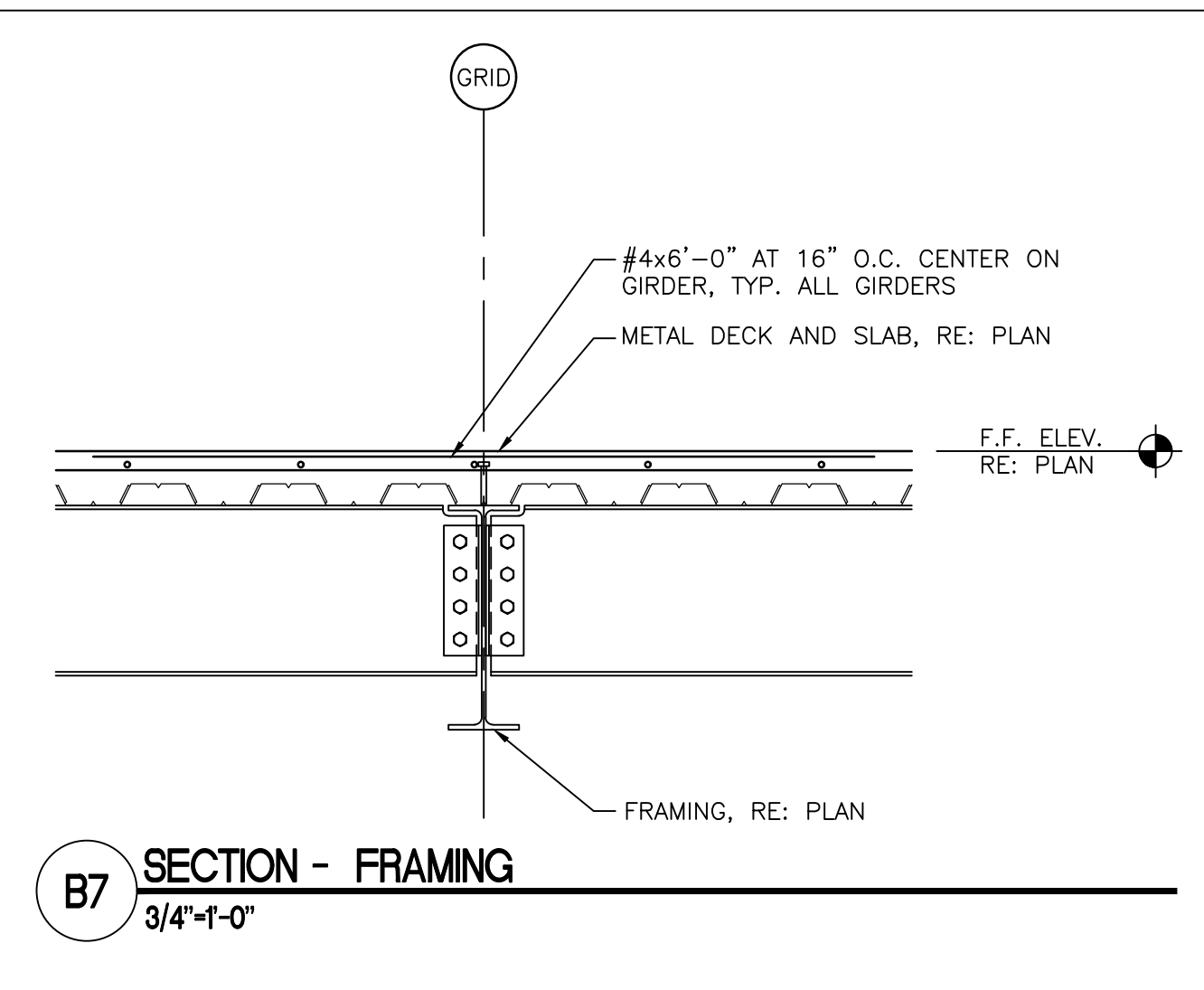


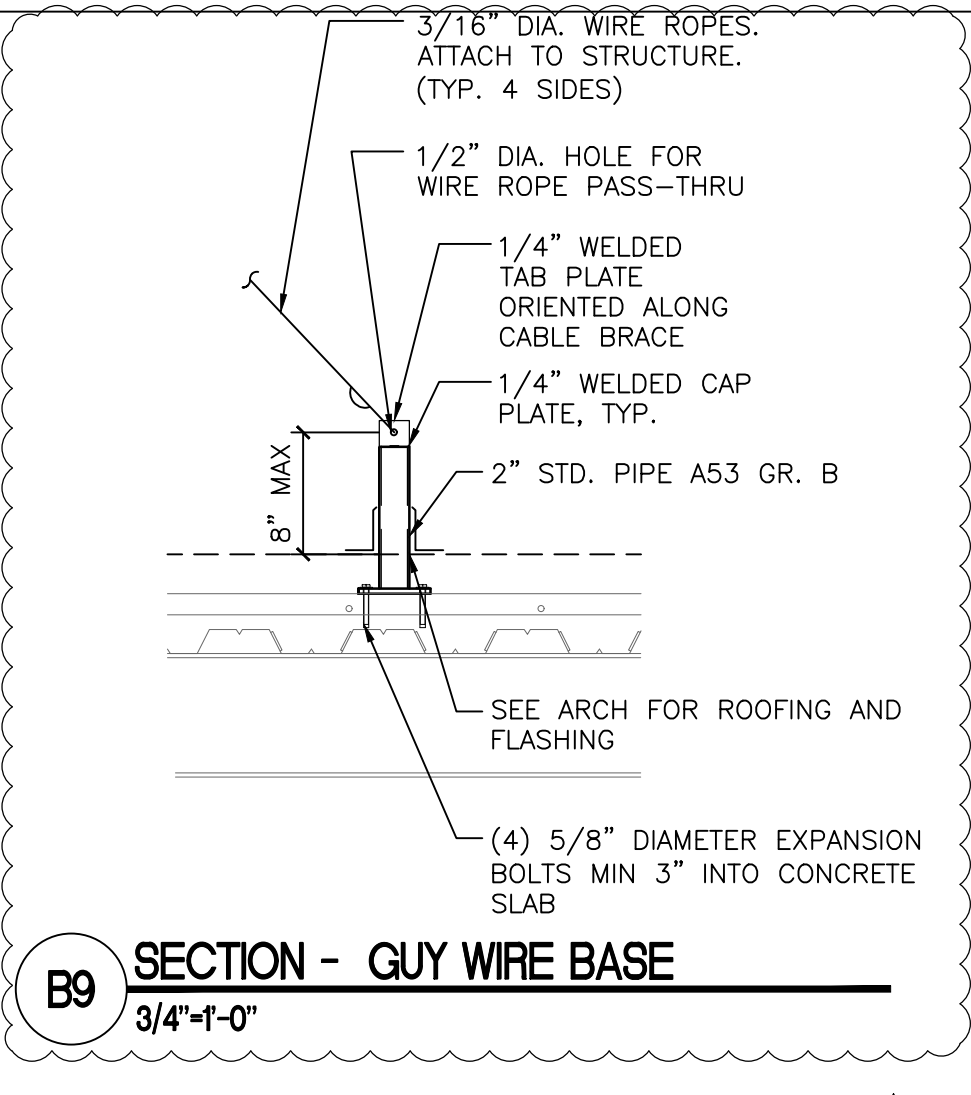
C2 SECTION - DETAIL ELEVATION, BEAM BEARING ON CMU WALL
3/4"-1'-0"



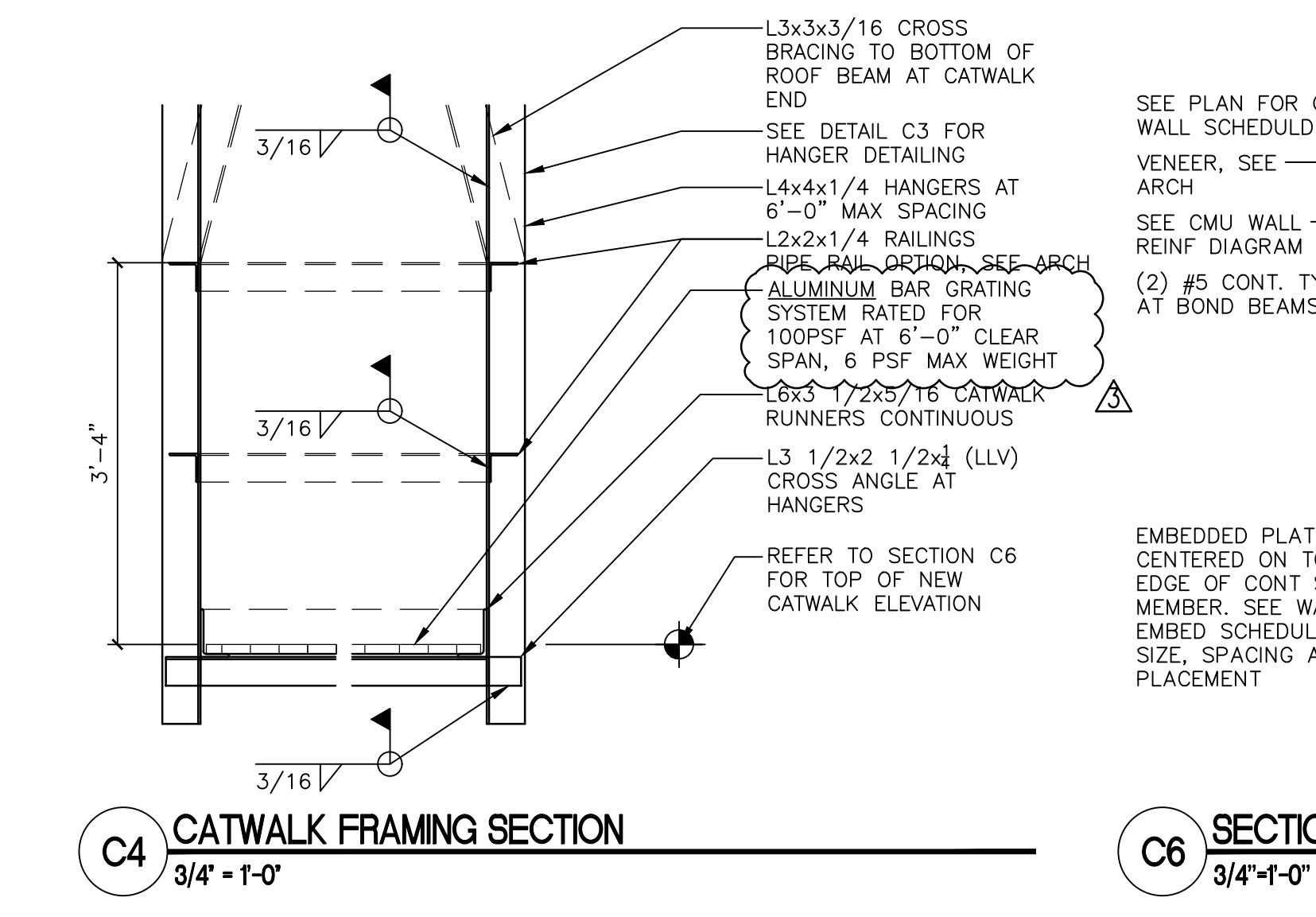
B4 SECTION - SUPPLEMENTAL FRAMING FOR HANGERS
3/4"-1'-0"



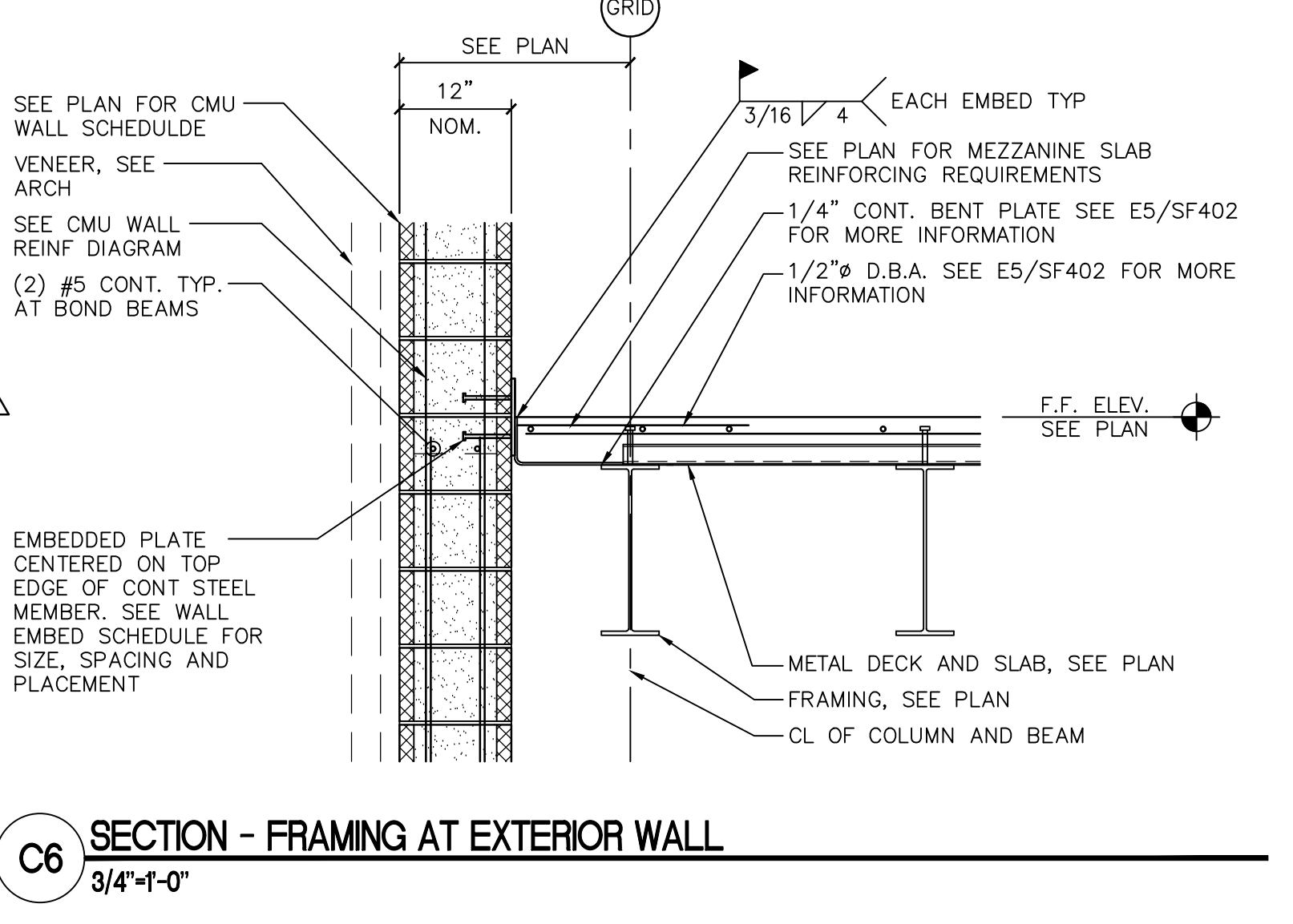
B7 SECTION - FRAMING
3/4"-1'-0"



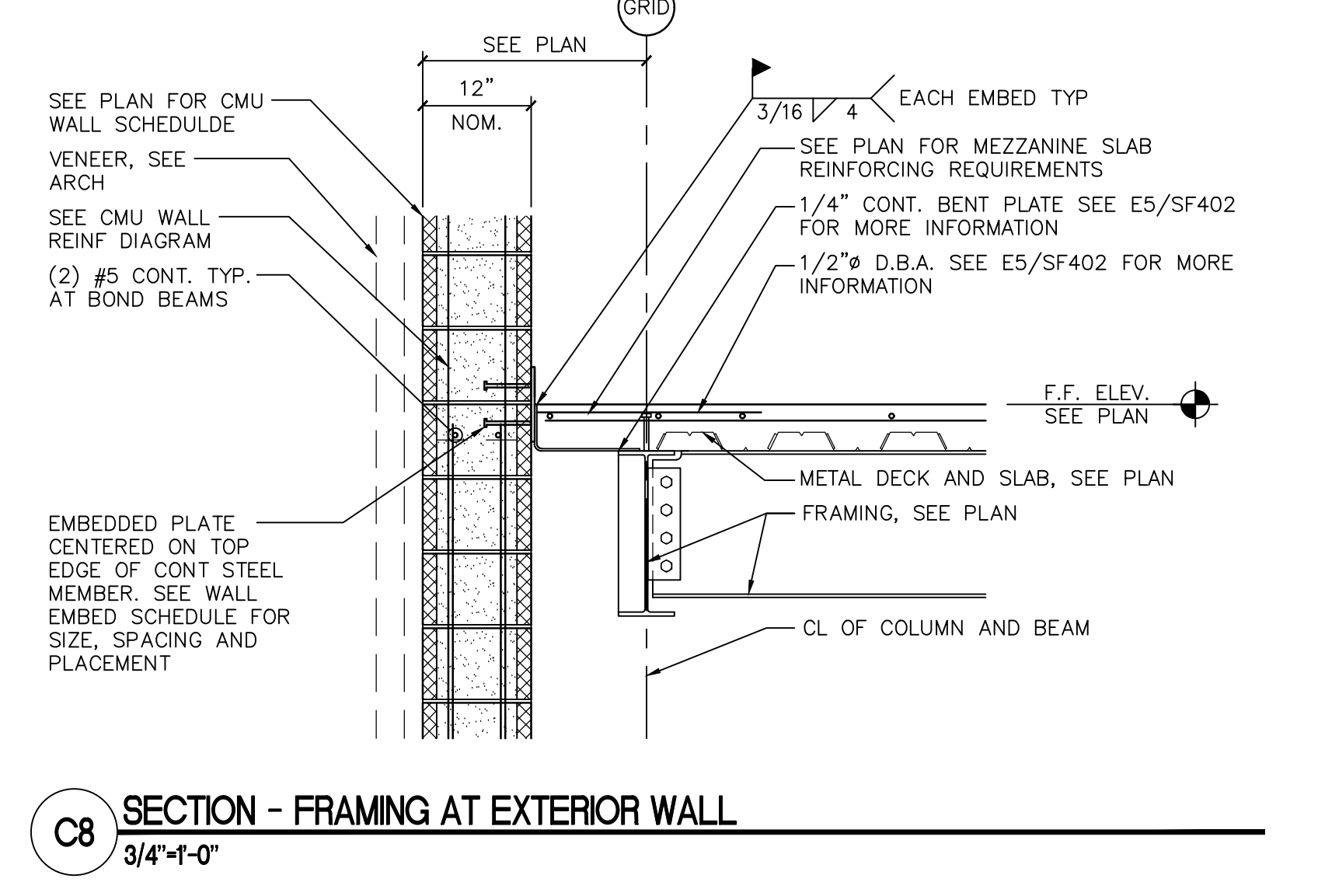
B9 SECTION - GUY WIRE BASE
3/4"-1'-0"



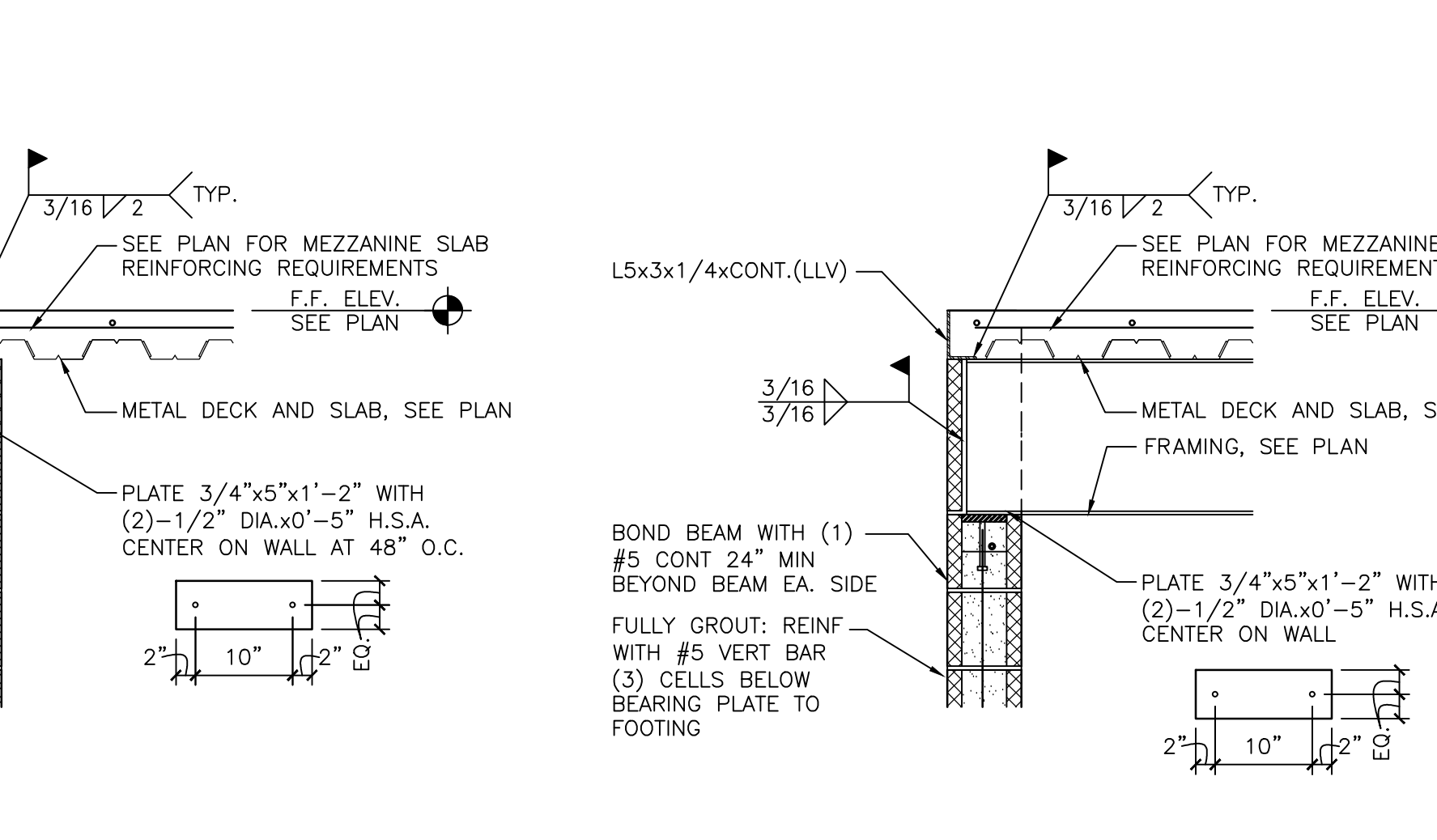
C4 SECTION - CATWALK FRAMING SECTION
3/4"-1'-0"



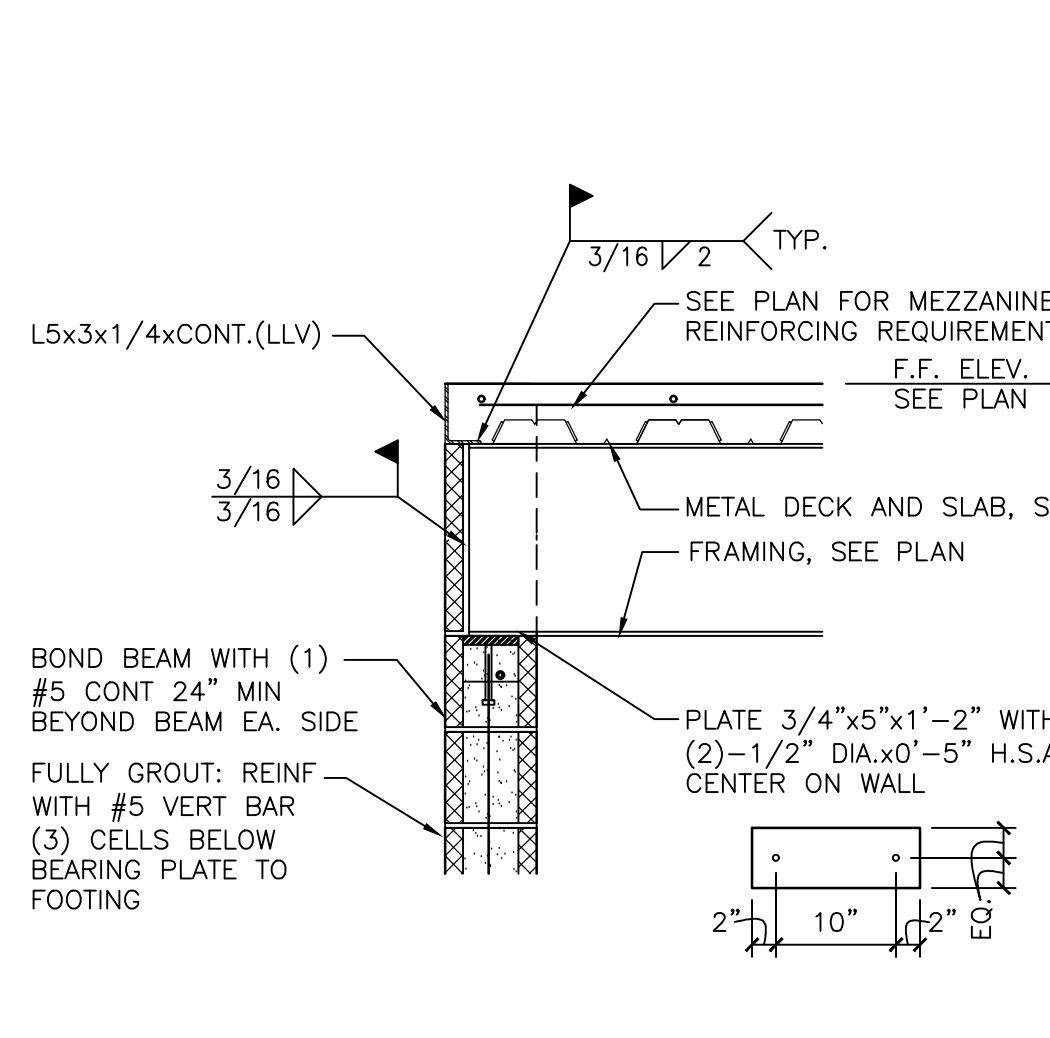
C6 SECTION - FRAMING AT EXTERIOR WALL
3/4"-1'-0"



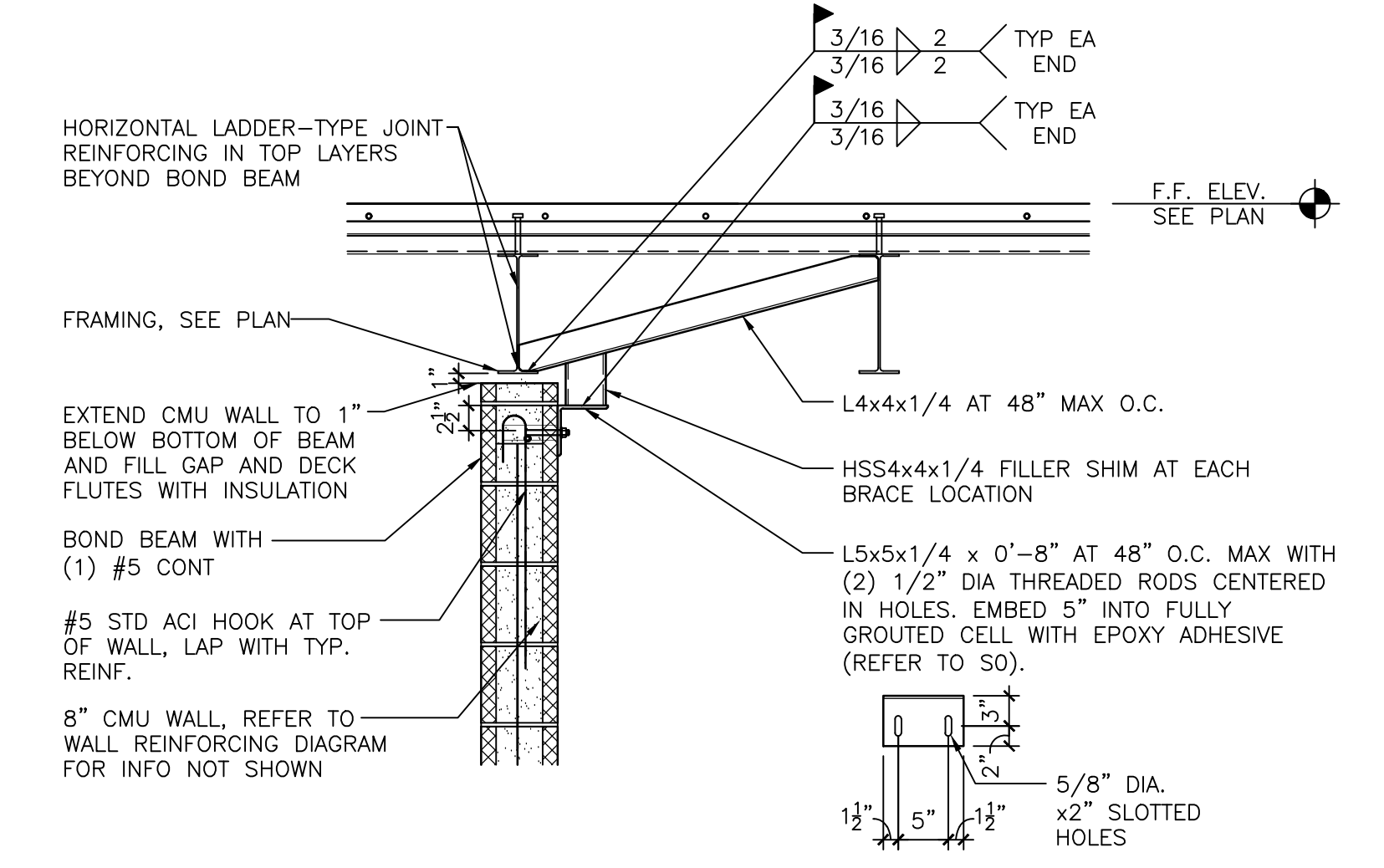
C8 SECTION - FRAMING AT EXTERIOR WALL
3/4"-1'-0"



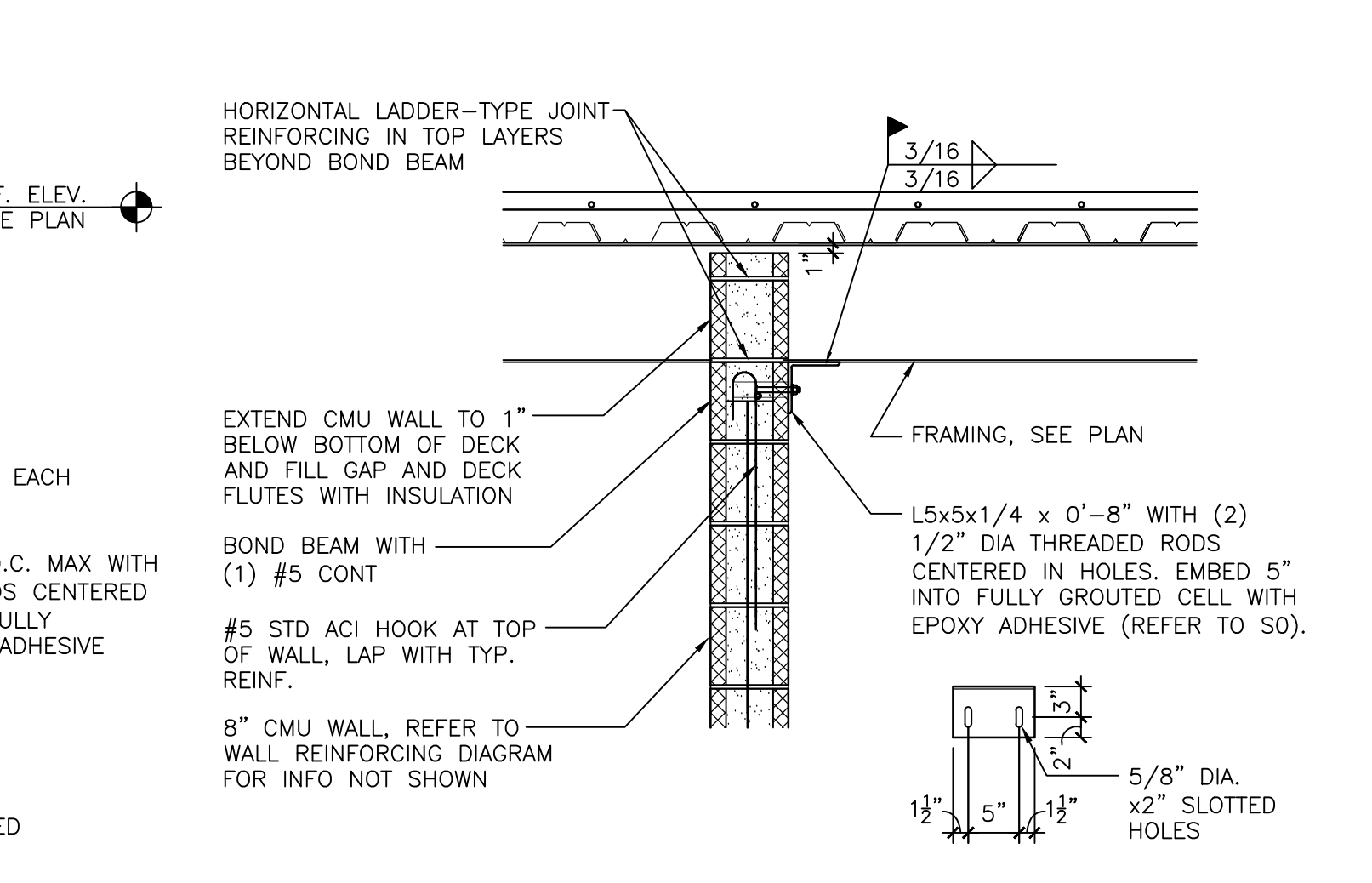
E1 SECTION - CMU DECK BEARING
3/4"-1'-0"



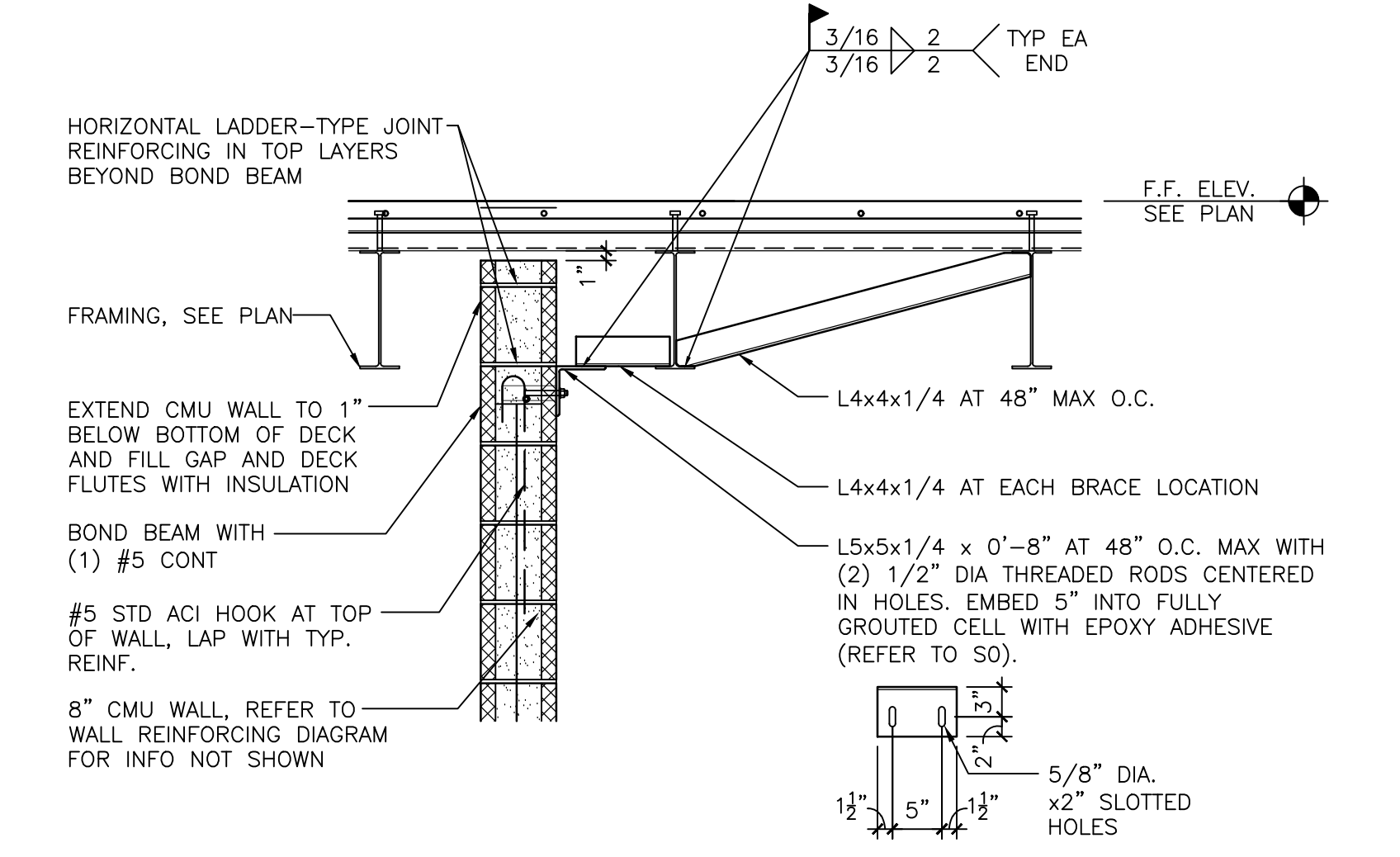
E3 SECTION - CMU BEAM BEARING
3/4"-1'-0"



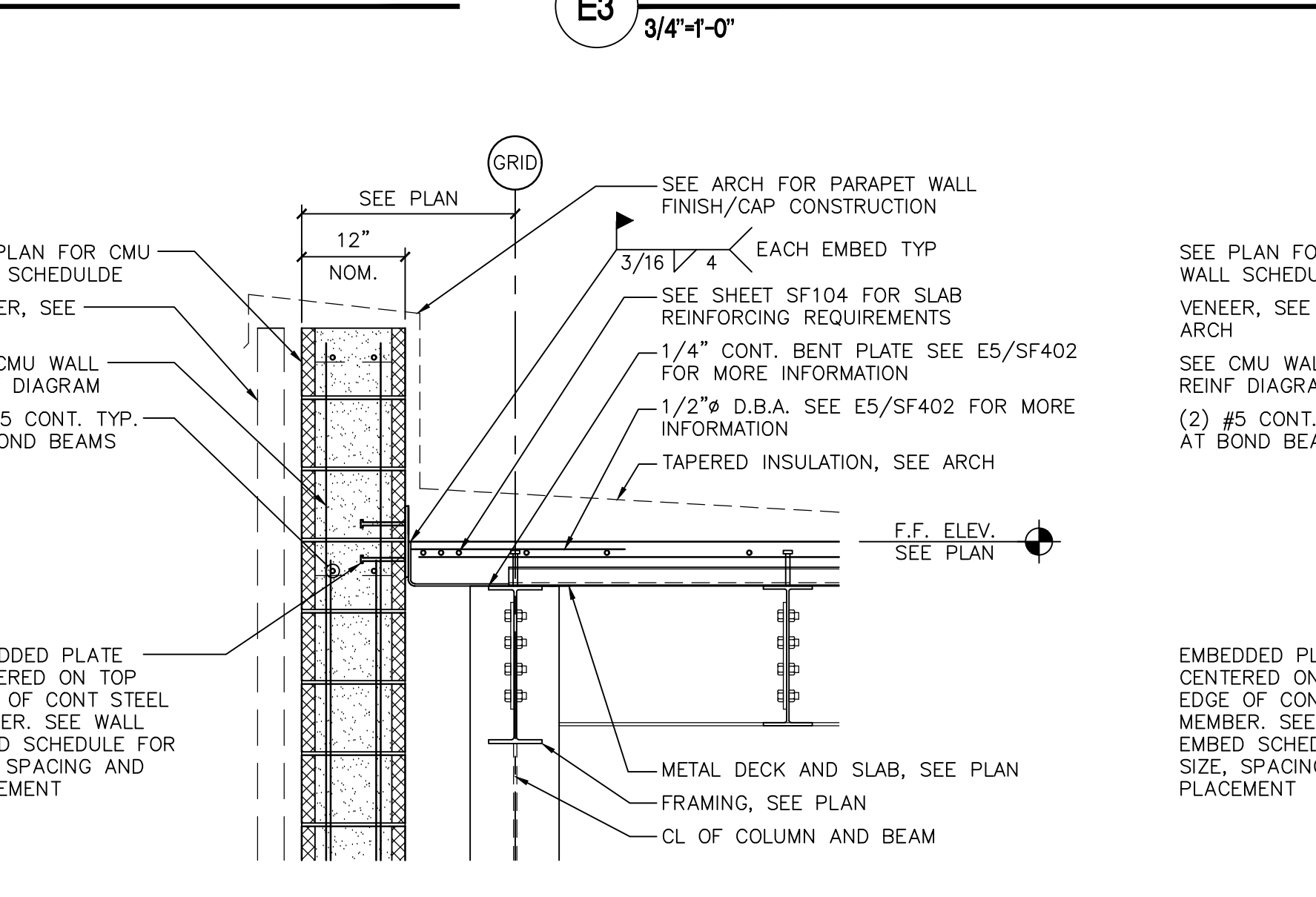
E4 SECTION - CMU WALL BRACING - NONLOADBEARING
3/4"-1'-0"



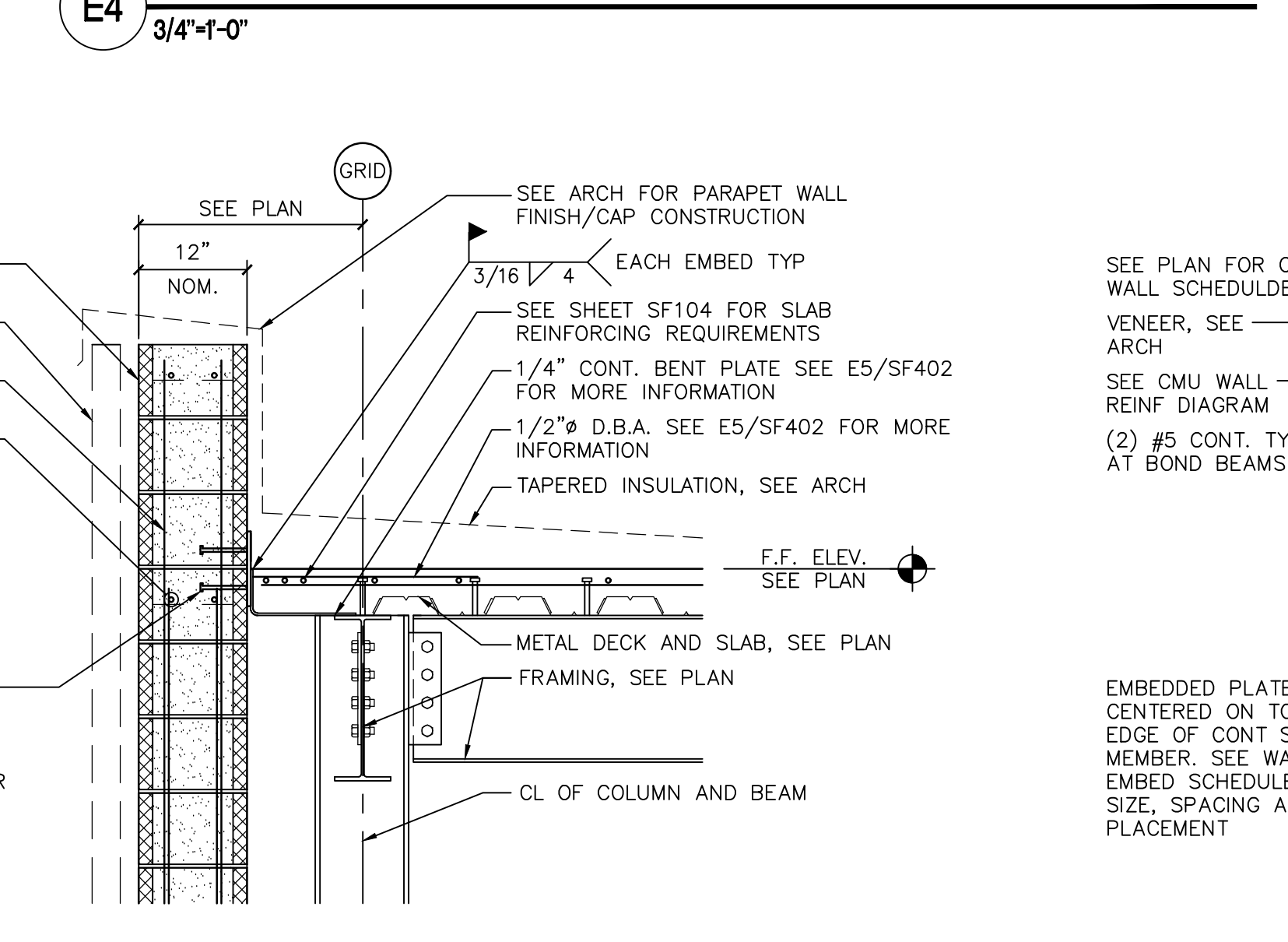
E6 SECTION - CMU WALL BRACING - NONLOADBEARING
3/4"-1'-0"



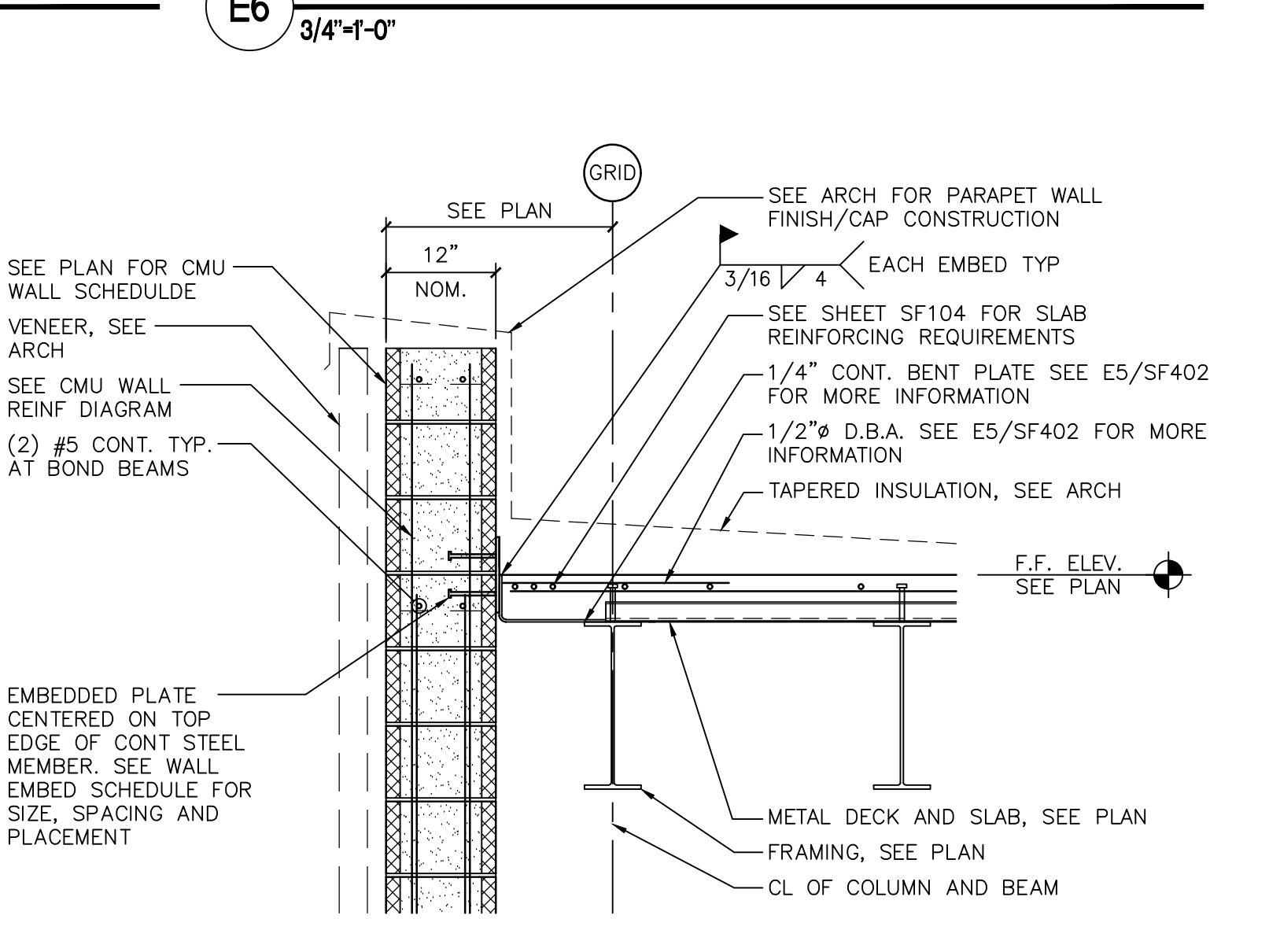
E8 SECTION - CMU WALL BRACING - NONLOADBEARING
3/4"-1'-0"



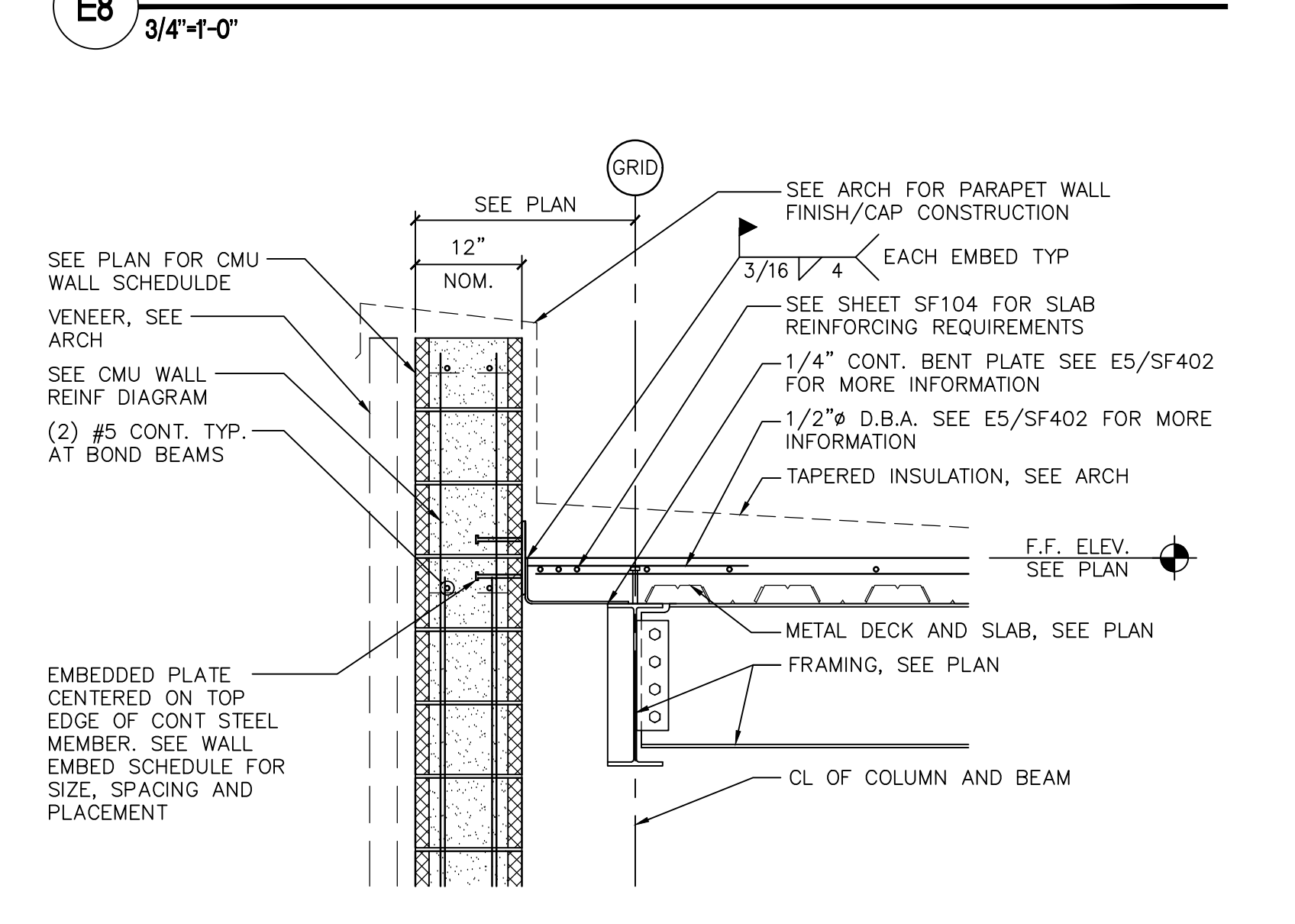
F2 SECTION - FRAMING AT EXTERIOR WALL
3/4"-1'-0"



F4 SECTION - FRAMING AT EXTERIOR WALL
3/4"-1'-0"



F6 SECTION - FRAMING AT EXTERIOR WALL
3/4"-1'-0"



F8 SECTION - FRAMING AT EXTERIOR WALL
3/4"-1'-0"

ADDENDUM 1	08-09-24
ADDENDUM 2 (NO STRUCTURAL CHANGES)	XX-XX-XX
ADDENDUM 3	01-17-25
Revisions:	Date:

CONSULTANT

1808 DEEP CREEK RD, OKC, OK 73131
918.527.7166 INFO@MOONTREELLC.COM

ARCHITECT/ENGINEER OF RECORD

Architecture | Engineering | Design-Build
200 Envoy Circle, Suite 201, Louisville KY 40299 - www.paradigmusa.com

STAMP

DAVID R. WALTON
31109
LICENSED PROFESSIONAL ENGINEER

Office of Construction and Facilities Management

U.S. Department of Veterans Affairs

Drawing Title
FRAMING DETAILS

Approved: Project Director

Phase
100% CONSTRUCTION DOCUMENTS

FULLY SPRINKLERED

Project Title
DESIGN REPLACE BOILER PLANT

Location
SIOUX FALLS VAMC
SIOUX FALLS, SD 57105

Issue Date
08-09-2024

Checked
TWW

Drawn
DRW

Project Number
438-22-900

Building Number
12

Drawing Number
SF401