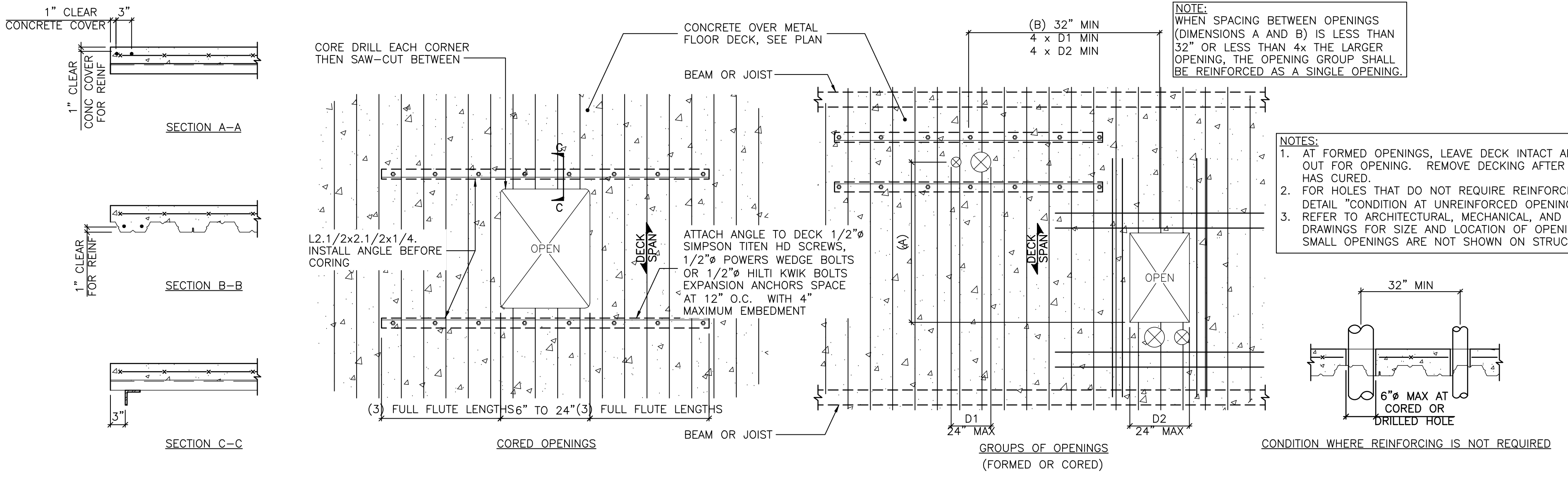
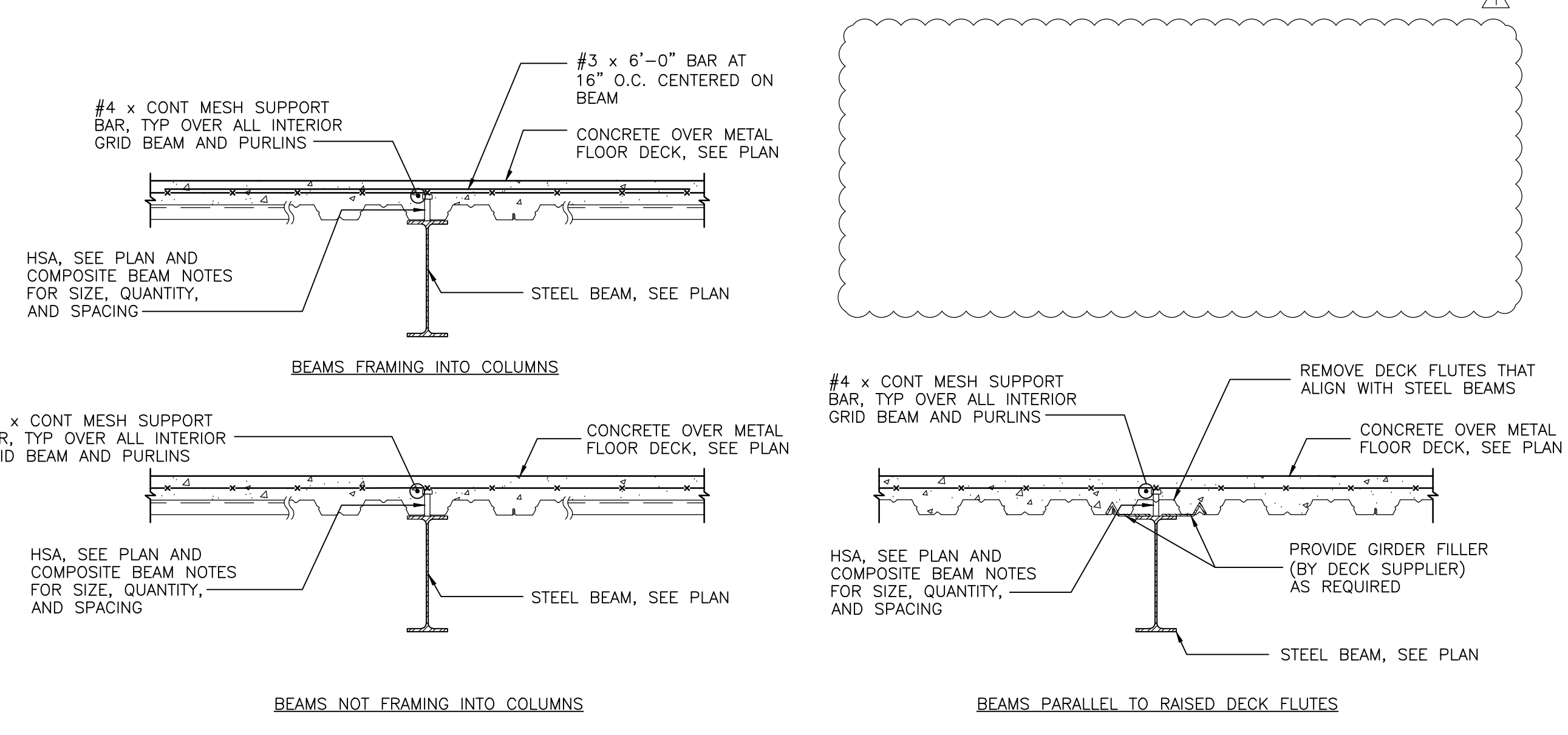


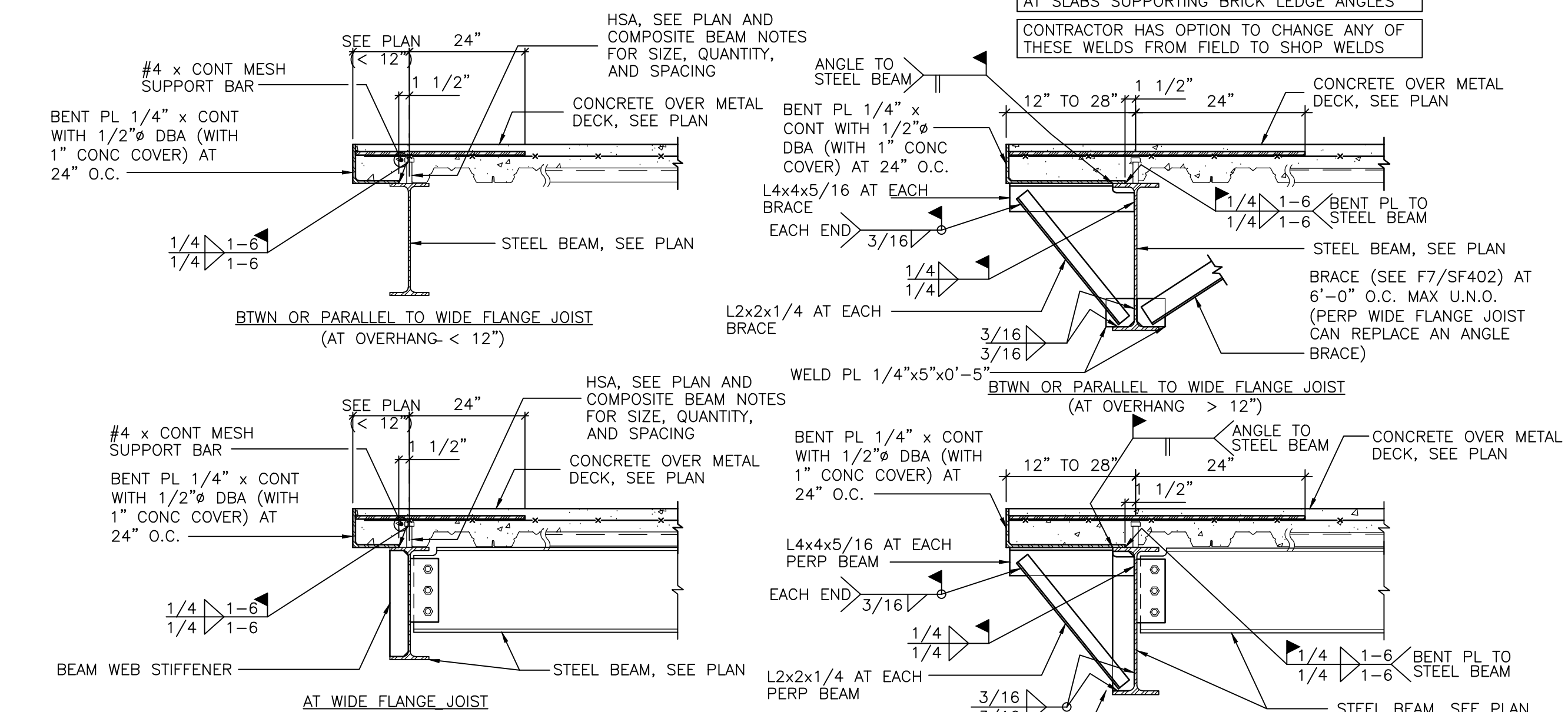
C2 MISCELLANEOUS SMALL OPENINGS IN FLOOR SLAB (UP TO 24')
3/4"-1'-0"



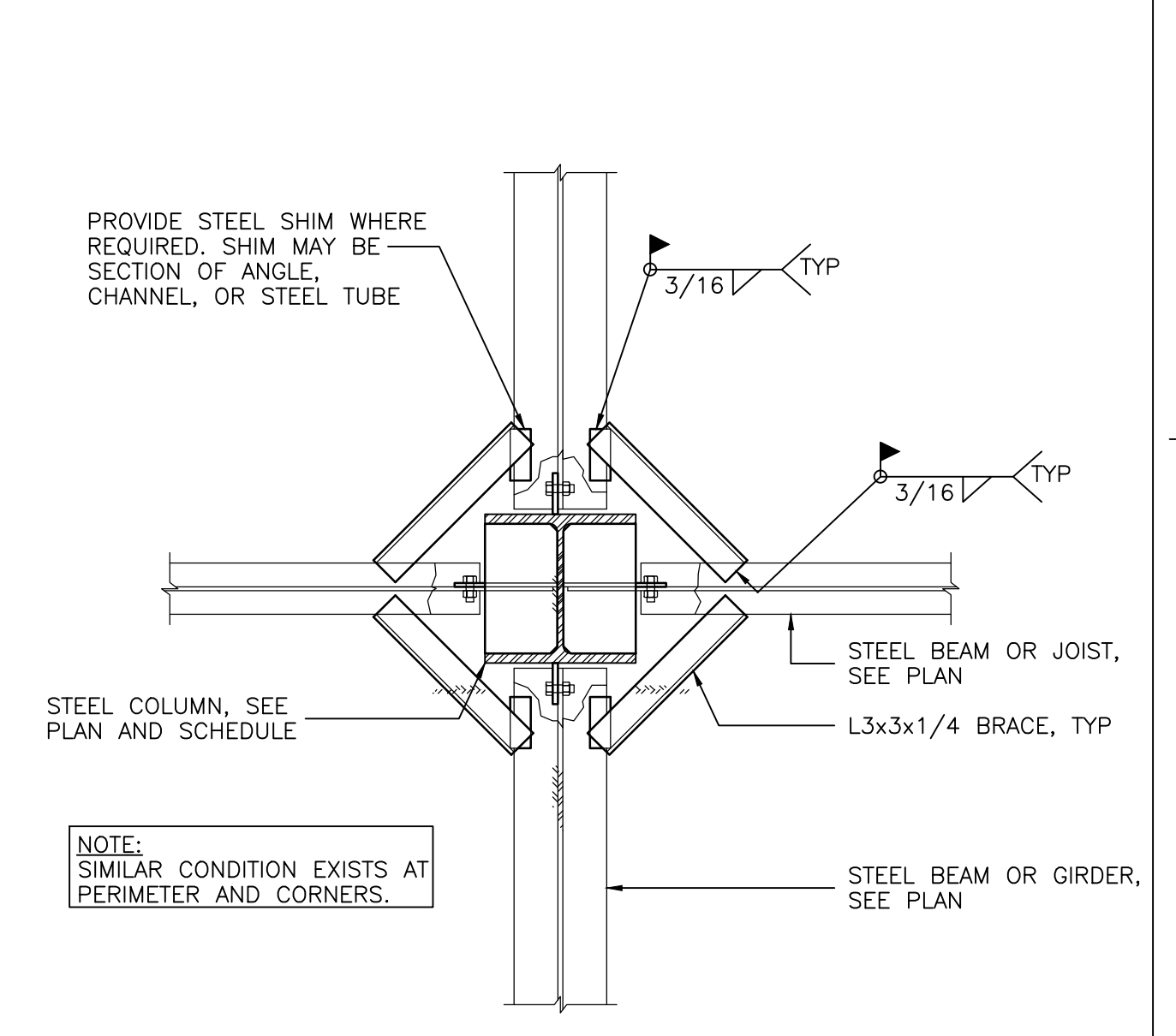
C9 TYPICAL FLOOR OPENING DETAIL (OPENING > 24')
3/4"-1'-0"



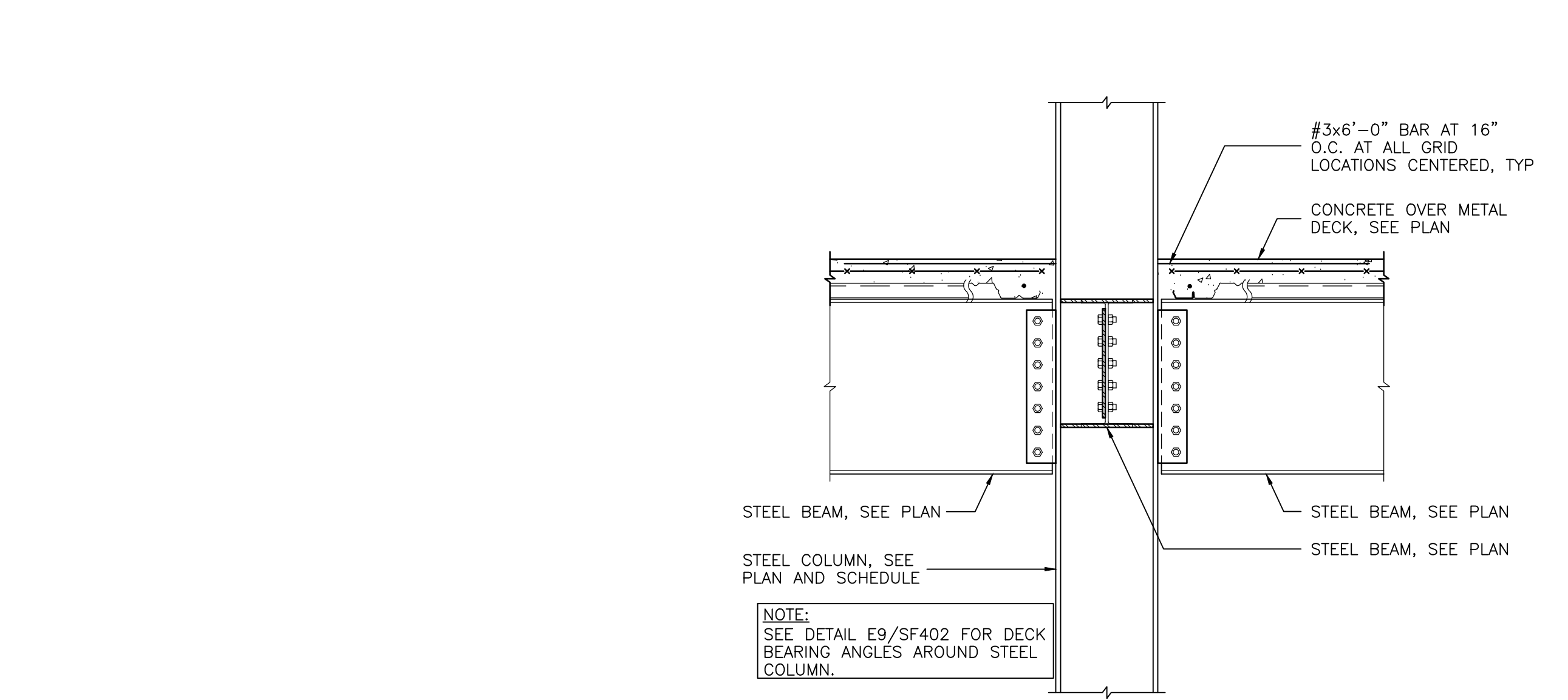
E2 TYPICAL COMPOSITE BEAM DETAILS
3/4"-1'-0"



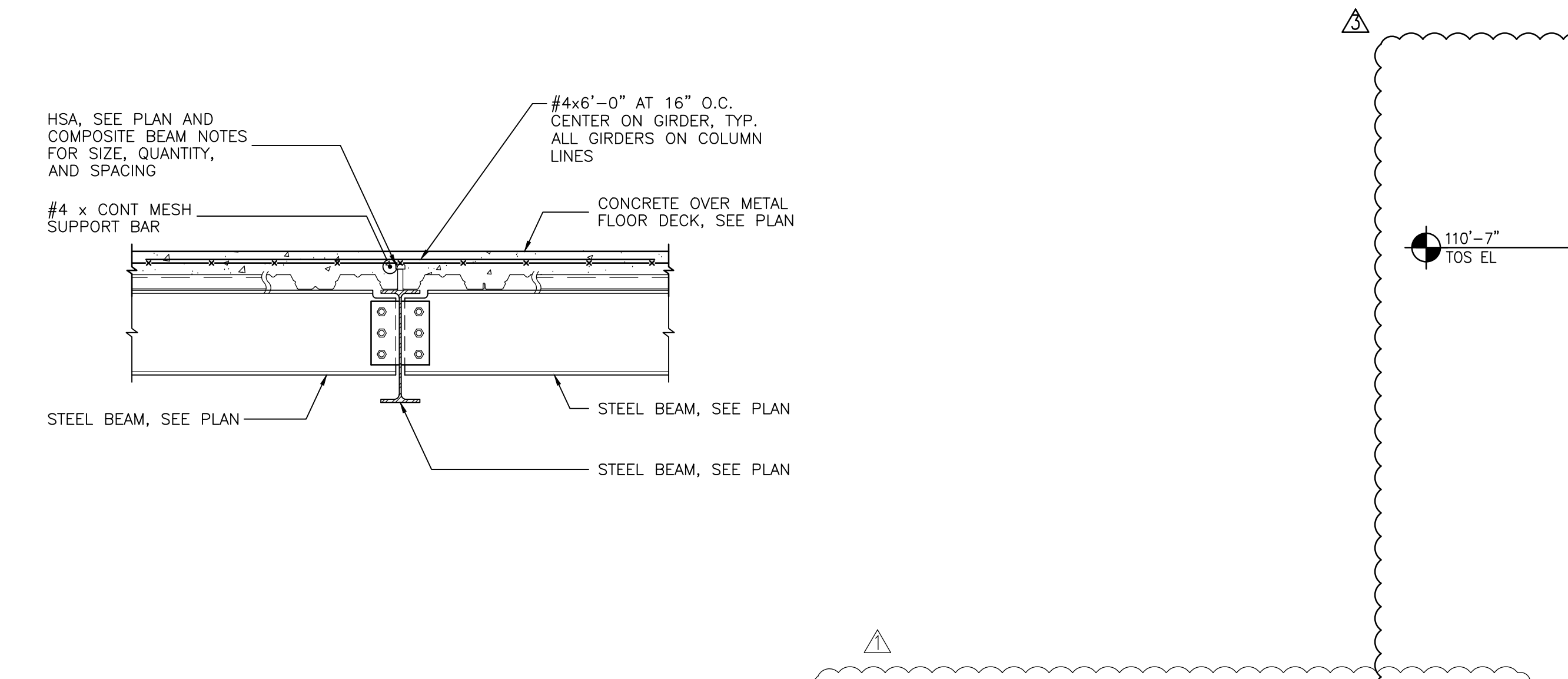
E5 TYPICAL SLAB EDGE DETAIL
3/4"-1'-0"



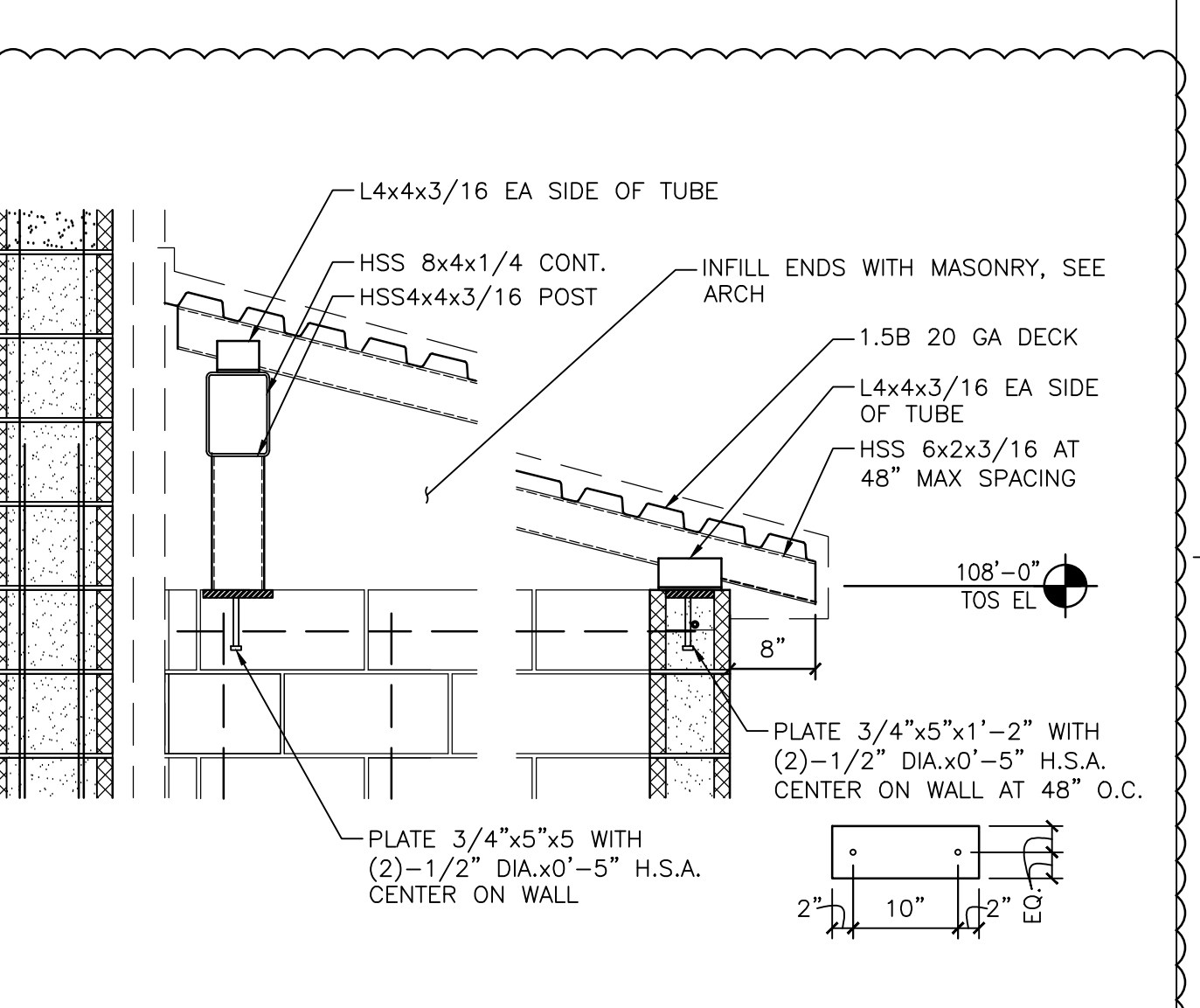
E9 TYPICAL DECK BEARING ANGLES AT STEEL COLUMN
3/4"-1'-0"



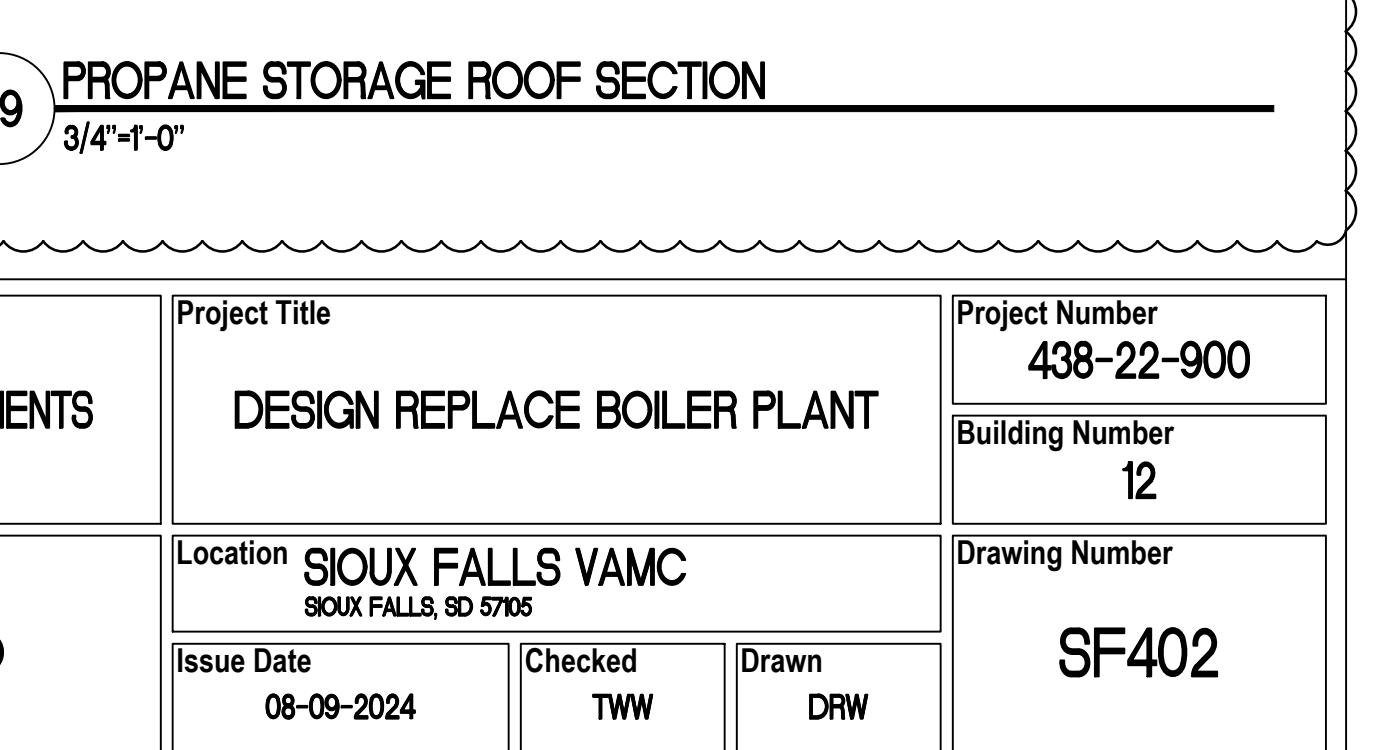
F3 TYPICAL STEEL BEAM CONNECTION DETAIL OF INTERIOR STEEL COLUMN
3/4"-1'-0"



F5 TYPICAL STEEL BEAM TO STEEL GIRDER CONNECTION
3/4"-1'-0"



F7 NOT USED
3/4"-1'-0"



F9 PROPANE STORAGE ROOF SECTION
3/4"-1'-0"

ADDENDUM 1	08-09-24
ADDENDUM 2 (NO STRUCTURAL CHANGES)	XX-XX-XX
ADDENDUM 3	01-17-25
Revisions:	Date:

CONSULTANT

1808 DEEP CREEK RD, OKC, OK 73131
918.527.7166 INFO@MOONTREELLC.COM

ARCHITECT/ENGINEER OF RECORD

200 Envoy Circle, Suite 201, Louisville KY 40299 - www.paradigmusa.com

STAMP

DAVID R. WALTON
31109
LICENSED PROFESSIONAL ENGINEER

Office of Construction and Facilities Management

Drawing Title
FRAMING DETAILS

Approved: Project Director

Phase
100% CONSTRUCTION DOCUMENTS

FULLY SPRINKLERED

Project Title
DESIGN REPLACE BOILER PLANT

Location
SIOUX FALLS VAMC
SIOUX FALLS, SD 57105

Issue Date
08-09-2024

Checked
TWW

Drawn
DRW

Project Number
438-22-900

Building Number
12

Drawing Number
SF402